

LSISASx28

28-Port 3Gb/s Serial Attached SCSI Expander

<http://lsiologic.com/storage>



LSI LOGIC'S SERIAL ATTACHED SCSI (SAS) EXPANDERS PROVIDE GREATER SCALABILITY, FLEXIBILITY, AND PERFORMANCE BENEFITS FOR NEXT GENERATION ENTERPRISE STORAGE PRODUCTS

OVERVIEW

The LSISASx28 is a 28-port 3Gb/s Serial Attached SCSI (SAS) expander with an Integrated ARM® processor for Enclosure Management and extended SAS SMP functions. This device offers enhanced Enclosure Services such as drive management and supports many options for implementing enclosure management, including a backward compatible interface to an external processor using existing code or implementing the internal processor using SSP target. Phy-based zoning is also supported for network storage security applications.

The LSISASx28 expander is compliant with the ANSI Serial Attached SCSI specification and supports SATA as defined in the Serial ATA: High Speed Serialized AT Attachment and the Serial ATA II: Port Selector Specification. SAS benefits include improved performance, simplified cabling, smaller connectors, a lower pin count, and lower power requirements. In addition, SAS leverages an electrical and physical connection interface that is compatible with SATA technology. The interface compatibility allows for customer flexibility in drive connection including the 2.5" hard disk drive small form factor.

The LSI Logic 28-port expander provides large storage environments the ability to connect multiple targets and initiators through a switched device for scalability and fault-tolerant path-redundancy to improve system reliability. This is ideal for today's data center and storage subsystems, leveraging existing SCSI infrastructure for investment protection and ease of migration and implementation.

FEATURES

- 28 fully-independent SAS and SATA ports
- SSP, SMP, STP and SATA protocol support
 - SSP target and initiator
 - SMP target and initiator
 - STP target and initiator
- Supports 1.5 and 3Gb/s SAS and SATA data transfer rates
- Port independent auto-negotiation
- Ports are non-denominational
 - Initiator or target connect
- Provides a low latency connection router with crossbar module to efficiently create and maintain connections
- Direct, Subtractive decode, and table routing methodologies supported
- Provides a scalable interface that supports up to 1024 SAS addresses
- Supports wide and narrow port configurations
 - Allows reuse of routing table resources across all of the PHYs composing a wide port
 - Allows any number of PHYs for wide port support
- PHY-based zoning for system security
- SATA/SAS HDD spin-up sequencing, configurable on a per-PHY basis
- SGPIO (SFF-8485) support
- 8 GPIO pins
- 3 LEDs per PHY
 - Link status, drive activity
 - fault LED outputs
 - Can be used as GPIOs
- Integrated ARM processor
 - SEP functionality
 - Drive management
 - Extended SAS SMP functions



LSISASx28

28-Port 3Gb/s Serial Attached SCSI Expander

A software development kit is available which provides a baseline SES solution and can be customized by the customer for unique solutions. The same programming model can be used for the internal processor or an external SEP for seamless customer migration.

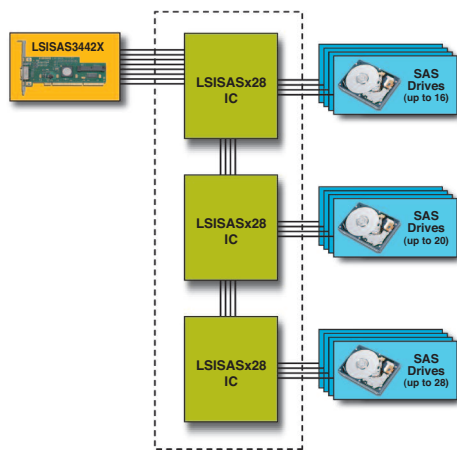


Figure 1. Scalability Diagram

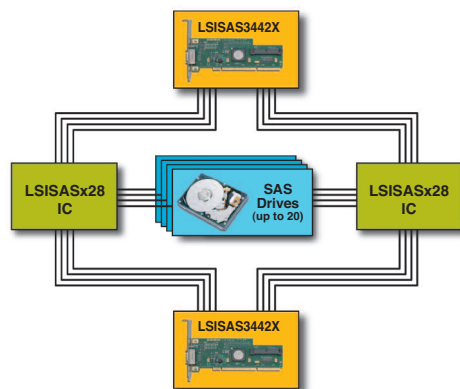


Figure 2. Path Redundancy Application

FEATURES (Continued)

- Internal 8KB ROM can be used for boot-options
- External interface support
 - Flash or SRAM memory
 - EEPROM interface for non-volatile storage of hardware configuration
 - External EEPROM not needed if internal ROM is used for boot options
 - Three I2C interfaces
 - One I2C interface dedicated to communication with external SEP
 - Two I2C interfaces for connecting external sensors
 - UART support for serial debugging
 - Supports JTAG testing
- Individual PHY power management
- 672 FPBGA package, 27 x 27mm, 0.13mm Gfx process technology
- Software Development Kit
 - Common programming model for internal and external processor support
 - API with sample code to implement enclosure management

For more information please visit the LSI Logic web site at:

<http://lsilogic.com/storage>

<http://adapters.lsilogic.com>

<http://www.lsilogic.com/sas>

Technical Support

Tel: 800 633 4545

LSI Logic Corporation

North American Headquarters
Milpitas, CA

Tel: 866 574 5741 (within U.S.)
408 954 3108 (outside U.S.)

LSI Logic Europe Ltd.

European Headquarters
United Kingdom
Tel: 44 1344 413200

LSI Logic KK Headquarters

Tokyo, Japan
Tel: 81 3 5463 7165

ISO 9001 Certified

LSI Logic, the LSI Logic logo design and Gfx are trademarks or registered trademarks of LSI Logic Corporation. ARM is a registered trademark of ARM Limited, used under license. All other brand and product names may be trademarks of their respective companies.

LSI Logic Corporation reserves the right to make changes to any products and services herein at any time without notice. LSI Logic does not assume any responsibility or liability arising out of the application or use of any product or service described herein, except as expressly agreed to in writing by LSI Logic; nor does the purchase, lease, or use of a product or service from LSI Logic convey a license under any patent rights, copyrights, trademark rights, or any other of the intellectual property rights of LSI Logic or of third parties.

Warranty

For more than 15 years, LSI Logic host adapters have been providing high-performance SCSI solutions to leading server, disk array and computer systems worldwide. Each host adapter carries a powerful chip built in LSI Logic's ISO 9001-certified fabrication facilities. Using only the highest quality components, LSI Logic host adapters are assembled and tested in world-class facilities to assure superior product reliability and performance. Because of stringent quality management programs, our host adapters carry a three-year limited warranty.

Copyright ©2005 by LSI Logic Corporation.
All rights reserved.

Order No. S20178
12/05-2M – Printed in USA.

