

PLEASE CHECK WWW.MOLEX.COM FOR LATEST PART INFORMATION

Part Number: [0799801061](#)
Status: **Active**
Overview: lfh
Description: 1.27mm (.050") Pitch Low Force Helix (LFH™) Matrix 50 Shielded Plug, Cable Kit, 60 Circuits, 1.0m (3.28') Length

Documents:

[Drawing \(PDF\)](#) [RoHS Certificate of Compliance \(PDF\)](#)

General

Product Family	Cable Assemblies
Series	79916
Connector to Connector	LFH™-to-LFH™
Overview	lfh
Product Name	LFH™

Physical

Cable Length	1.0m (3.28')
Circuits (Loaded)	60
Color - Resin	Black
Gender	Plug/Plug
Lock to Mating Part	Yes
Material - Metal	Aluminum
Material - Plating Mating	Gold
Material - Plating Termination	Tin
Material - Resin	High Temperature Thermoplastic
Packaging Type	Bag
Pitch - Mating Interface (in)	0.050 In
Pitch - Mating Interface (mm)	1.27 mm
Plating min: Mating (µin)	30
Plating min: Mating (µm)	0.76
Plating min: Termination (µin)	100
Plating min: Termination (µm)	2.50
Single Ended	No
Termination Interface: Style	N/A
Waterproof / Dustproof	No
Wire Insulation Diameter	N/A
Wire Size AWG	28
Wire/Cable Type	Jacketed, Round

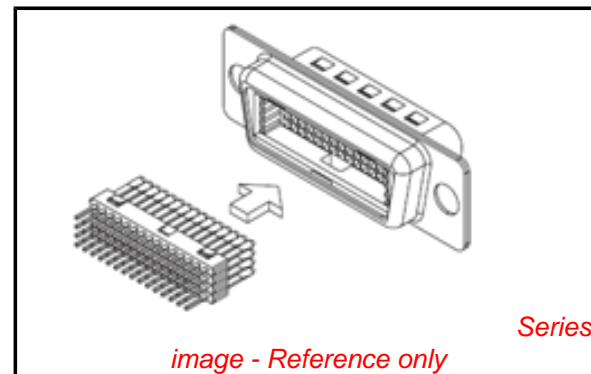
Electrical

Shield Type	Full Shield
Shielded	Yes

Material Info

Reference - Drawing Numbers

Sales Drawing	SD-79980-001
---------------	--------------



EU RoHS

**ELV and RoHS
Compliant**
REACH SVHC
 Not Reviewed
**Halogen-Free
Status**
 Not Reviewed

China RoHS



**Need more information on product
environmental compliance?**

Email productcompliance@molex.com
 For a multiple part number RoHS Certificate of
 Compliance, [click here](#)

Please visit the [Contact Us](#) section for any
 non-product compliance questions.

Search Parts in this Series

[79916Series](#)

Mates With

[70928 LFH™ Matrix 50 Receptacle](#) . [70929 LFH™ Matrix 50 Shielded Plug](#)

6

5

4

3

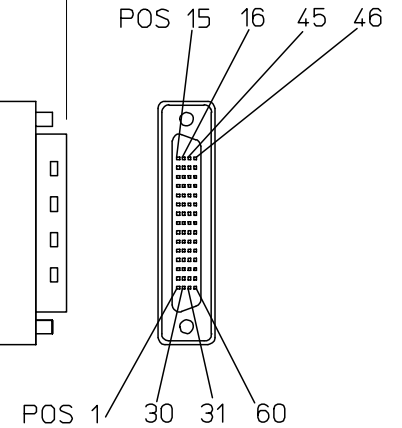
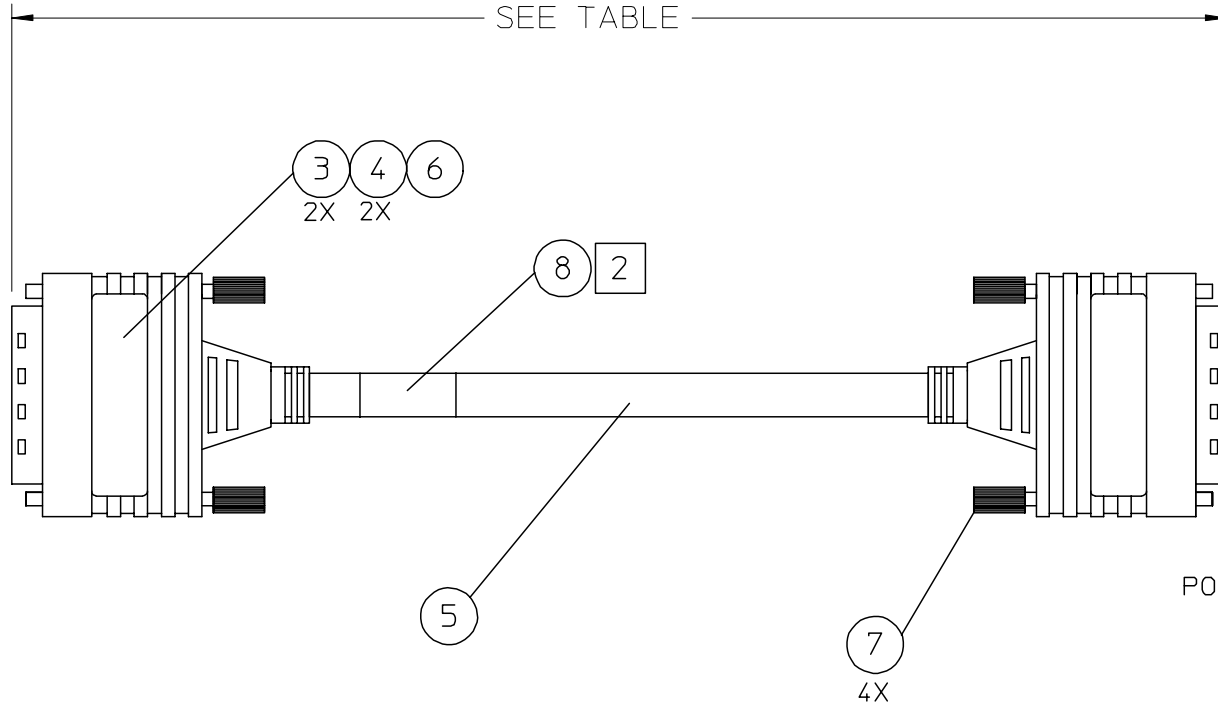
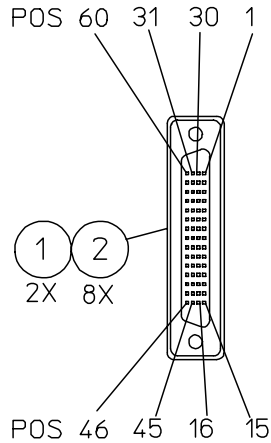
2

1

P/N	LENGTH
799801061	1000 +/-50MM
799801063	3000 +/-100MM
799801065	5000 +/-150MM

D

D



NOTES:

- PIN CONNECTION IS 1 TO 1.
- APPLY CABLE LABEL WITH FOLLOWING INFORMATION:
 P/N (SEE TABLE)
 REV. (SEE REV. TABLE)
 M/D WW/YY
 ASSEMBLED IN MEXICO

8	0799426019	PLASTIC LABEL EPC#R-TW10F	1 PC
7	0799407740	SCREW 4-40	4 PC
6	0899920428	APEX 77-W115B BLACK	A/R
5	0798231046	CABLE 30TWP, 28AWG, SHLD, JCKTD	A/R
4	0798012001	STRAIGHT FERRULE 0.437"	2 PC
3	0712452000	1.25mm LFH Mtx 50 Hdw Can Kit 60Ckt	2 PC
2	0051242022	1.27mm LFH Mtx 50 Plug Cbl Kit 15Ckt	8 PC
1	0709292000	1.27mm LFH Mtx 50 Plg Subassy 60Ckt	2 PC
ITEM	P/N	DESCRIPTION	QTY

B

B

A

A

EC NO: MEX2008-0006 DRWN: AOROZCO 2007/07/06 CHKD: ACUEVAS 2007/07/06 APPR: ACUEVAS 2007/07/06 DESCRIPTION [REDACTED]	QUALITY SYMBOLS	GENERAL TOLERANCES (UNLESS SPECIFIED)		DIMENSION STYLE MM ONLY		SCALE ---	DESIGN UNITS METRIC	THIRD ANGLE PROJECTION	
	$\nabla=0$ $\nabla=0$	4 PLACES	± ---	± ---	mm	INCH	DRAWN BY DATE AOROZCO 01/13/2004		
		3 PLACES	± ---	± ---			CHECKED BY DATE AOROZCO 01/13/2004		
		2 PLACES	± ---	± ---			APPROVED BY DATE ACUEVAS 01/13/2004		
		1 PLACE	± ---	± ---	ANGULAR ± ---°		MATERIAL NO. VARIOS		
DRAFT WHERE APPLICABLE MUST REMAIN WITHIN DIMENSIONS						TITLE LFH 60 CKT TO LFH 60 CKT 1, 3 & 5 MTS. LENGHT MOLEX STANDARD		SHEET NO. 1 OF 01	
						DOCUMENT NO. SD-79980-001			
				SIZE A		THIS DRAWING CONTAINS INFORMATION THAT IS PROPRIETARY TO MOLEX INCORPORATED AND SHOULD NOT BE USED WITHOUT WRITTEN PERMISSION			

5

4

3

2

1