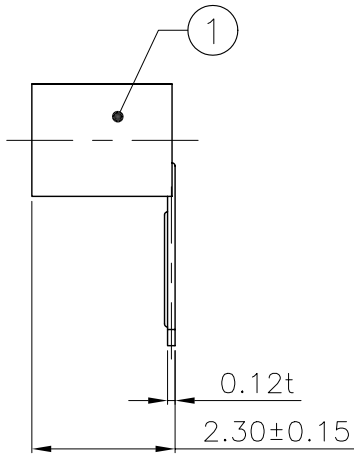
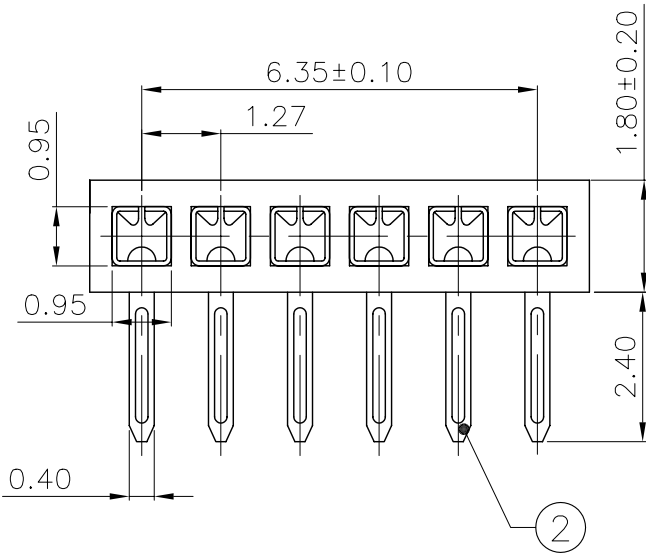
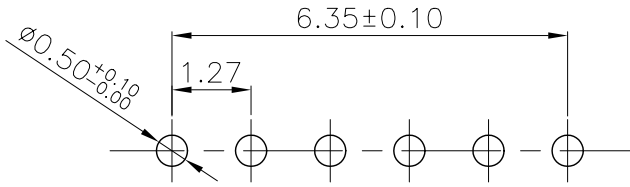


Recommended P.C.B Layout(Component Side)
P.C.B Thickness = 1.20mm



NOTE:
127214FR006 G □ 01ZO
1

1. Plating
 'G1,-05u" gold over nickel.
 'G2,-Indicate gold flash.
 'G3,-10u" gold over nickel.
 'G4,-15u" gold over nickel.
 'G5,-30u" gold over nickel.

2	Terminal	Pho.Bronze	—	Gold water flash
1	Plastics	High Temp	BLACK	UL94V-0
NO.	DESCRIPTION	MATERIAL	COLOR	REMARK

SUYIN
CONNECTOR

CUSTOMER COPY TITLE: 1.27mm PITCH R/A DIP TYPE

PART NO.	127214FR006GX01ZO
PART NO. (OLD)	—
DRAWING NO.	D ING 127214FR006GX01ZO
SCALE	8:1
UNIT	mm
A4	⊕

ECN (DCN) NO.	0	REV	NEW	DATE	DESCRIPTION	CHANGE	APPRO.	GENERAL TOLERANCE UNLESS OTHERWISE NOTED	ANGLE	±2°	DRAW	
									30 ~	±0.50	DESIGN	
									10 ~ 30	±0.30	CHECK	
									~ 10	±0.15	APPRO.	