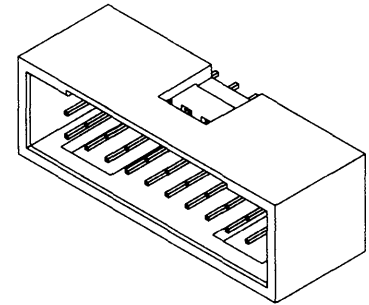


molex® 2.54mm (.100") Pitch C-Grid®

Shrouded Header

70567

Dual Row, High-Temperature Through Hole without Pegs Vertical



2.54mm (.100") Pitch

FEATURES AND SPECIFICATIONS

Features and Benefits

- Sizes 6 to 72 circuits
- Robotically insertable and compatible
- Board retention pegs hold header in place until they are permanently secured by soldering
- Latch window retains modular connector assemblies after mating
- Standoffs minimize flux retention
- Round PC tails allow smaller PCB holes and aid robotic insertion
- Drawn .025" square wire provides 4-sided smooth surface for quality interface

Reference Information

Product Specification: PS-70567
 Packaging: Tube
 Mates With: C-Grid Vertical Receptacles, 70450A crimp housing
 Designed In: Inches

Electrical

Voltage: 250V
 Current: 3.0A
 Contact Resistance: 15mΩ max.
 Dielectric Withstanding Voltage: 1500V
 Insulation Resistance: 1000 MΩ min.

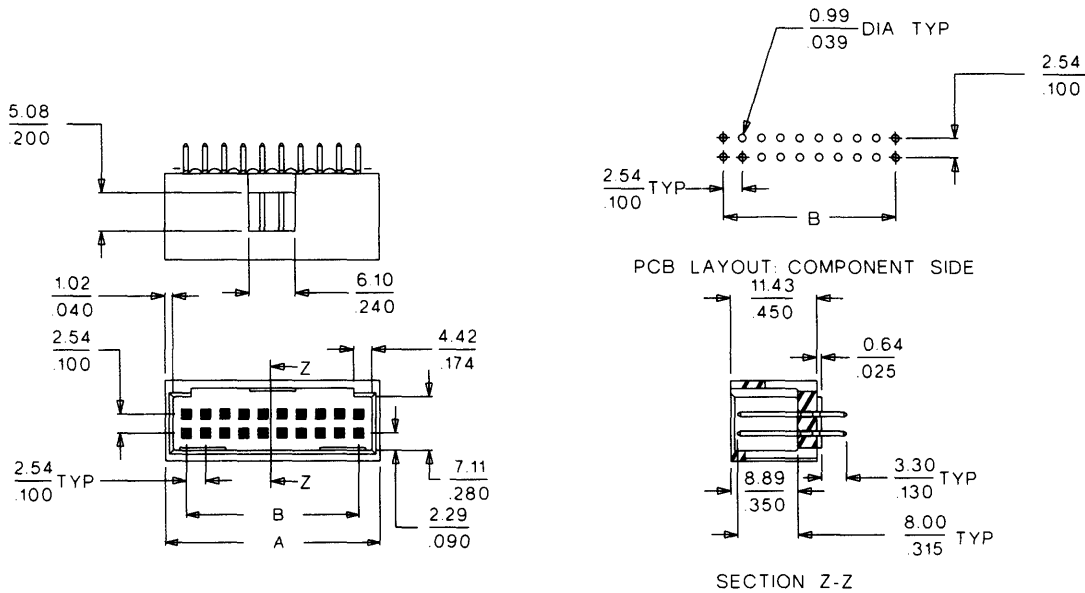
Mechanical

Contact Retention to Housing: 17.79N (4 lb)
 Durability: 25 cycles Tin/Lead and
 50 cycles Gold

Physical

Housing: High-temperature thermoplastic, UL 94V-0
 Contact: Phosphor Bronze
 Plating: See Table
 Operating Temperature: -40 to +105°C

CATALOG DRAWING (FOR REFERENCE ONLY)



ORDERING INFORMATION AND DIMENSIONS

Circuits	Dimension		Circuits	Dimension		Circuits	Dimension		Circuits	Dimension	
	A	B		A	B		A	B		A	B
6	10.47 (.412)	5.08 (.200)	24	33.33 (1.312)	27.94 (1.100)	42	56.19 (2.212)	50.80 (2.000)	60	79.05 (3.112)	73.66 (2.900)
8	13.01 (.512)	7.62 (.300)	26	35.87 (1.412)	30.48 (1.200)	44	58.73 (2.312)	53.34 (2.100)	62	81.59 (3.212)	76.20 (3.000)
10	15.55 (.612)	10.16 (.400)	28	38.41 (1.512)	33.02 (1.300)	46	61.27 (2.412)	55.88 (2.200)	64	84.13 (3.312)	78.74 (3.100)
12	18.09 (.712)	12.70 (.500)	30	40.95 (1.612)	35.56 (1.400)	48	63.81 (2.512)	58.42 (2.300)	66	86.67 (3.412)	81.28 (3.200)
14	20.63 (.812)	15.24 (.600)	32	43.49 (1.712)	38.10 (1.500)	50	66.35 (2.612)	60.96 (2.400)	68	89.21 (3.512)	83.82 (3.300)
16	23.17 (.912)	17.78 (.700)	34	46.03 (1.812)	40.64 (1.600)	52	68.89 (2.712)	63.50 (2.500)	70	91.75 (3.612)	86.36 (3.400)
18	25.71 (1.012)	20.32 (.800)	36	48.57 (1.912)	43.18 (1.700)	54	71.43 (2.812)	66.04 (2.600)	72	94.29 (3.712)	88.90 (3.500)
20	28.25 (1.112)	22.86 (.900)	38	51.11 (2.012)	45.72 (1.800)	56	73.97 (2.912)	68.58 (2.700)			
22	30.79 (1.212)	25.40 (1.000)	40	53.65 (2.112)	48.26 (1.900)	58	76.51 (3.012)	71.12 (2.800)			

Plating Option	Order No.
	End Wall = 1.68mm (.066")
15μ" min. select Gold	15-80-OXX3
30μ" min. select Gold	15-80-OXX5
150μ" Tin/Lead	15-80-OXX1

Replace XX with no. of circuits, 06-72 (even only)