

PLEASE CHECK WWW.MOLEX.COM FOR LATEST PART INFORMATION

Part Number: [0473631032](#)
Status: **Active**
Description: 1.27mm (.050") Pitch Combo SATA Cable Connector, Straight Type, without Arris, 0.38µm (15µ") Gold (Au), 22 Circuits, Lead Free

Documents:

[3D Model](#) [Product Specification PS-47362-001 \(PDF\)](#)
[Drawing \(PDF\)](#) [RoHS Certificate of Compliance \(PDF\)](#)

General

Product Family	I/O Connectors
Series	47363
Application	Wire-to-Board
Component Type	Receptacle
Product Name	SAS
Type	N/A

Physical

Boot Color	N/A
Circuits (Loaded)	22
Circuits (maximum)	22
Circuits Detail	Signal 7, Power 15
Durability (mating cycles max)	50
Gender	Receptacle
Keying to Mating Part	Yes
Lock to Mating Part	Yes
Material - Metal	Copper Alloy
Material - Plating Mating	Gold
Material - Plating Termination	Tin
Number of Rows	1
Orientation	Straight
PCB Locator	No
PCB Retention	None
Packaging Type	Tray
Panel Mount	No
Pitch - Mating Interface (in)	0.050 In
Pitch - Mating Interface (mm)	1.27 mm
Pitch - Term. Interface (in)	0.050 In
Pitch - Term. Interface (mm)	1.27 mm
Plating min: Mating (µin)	15
Plating min: Mating (µm)	0.38
Plating min: Termination (µin)	50
Plating min: Termination (µm)	1.27
Polarized to Mating Part	Yes
Polarized to PCB	Yes
Ports	2
Temperature Range - Operating	-35°C to +85°C
Termination Interface: Style	Through Hole
Waterproof / Dustproof	No
Wire Size AWG	N/A

Electrical

Current - Maximum per Contact	1.5A
Voltage - Maximum	15V DC

Material Info

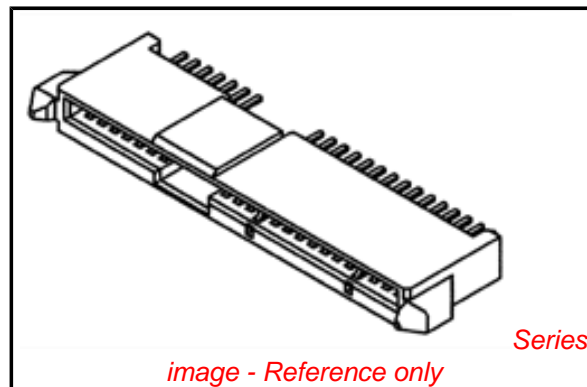


image - Reference only

EU RoHS

**ELV and RoHS
Compliant**
**REACH SVHC
Contains SVHC: No**
**Halogen-Free
Status**

China RoHS



Not Reviewed

**Need more information on product
environmental compliance?**

Email productcompliance@molex.com
 For a multiple part number RoHS Certificate of Compliance, [click here](#)

Please visit the [Contact Us](#) section for any non-product compliance questions.

Search Parts in this Series

[47363Series](#)

Reference - Drawing Numbers

Product Specification
Sales Drawing

PS-47362-001
SD-47363-100

This document was generated on 04/02/2010

PLEASE CHECK WWW.MOLEX.COM FOR LATEST PART INFORMATION

F

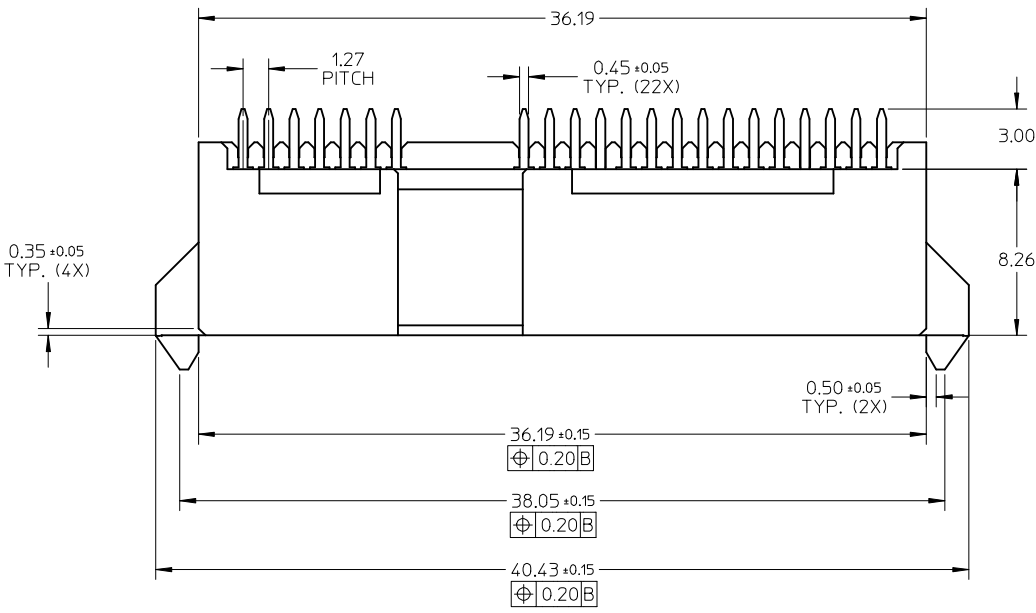
E

D

C

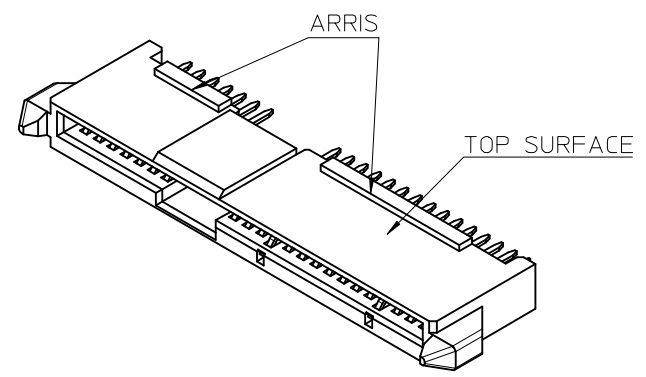
B

A

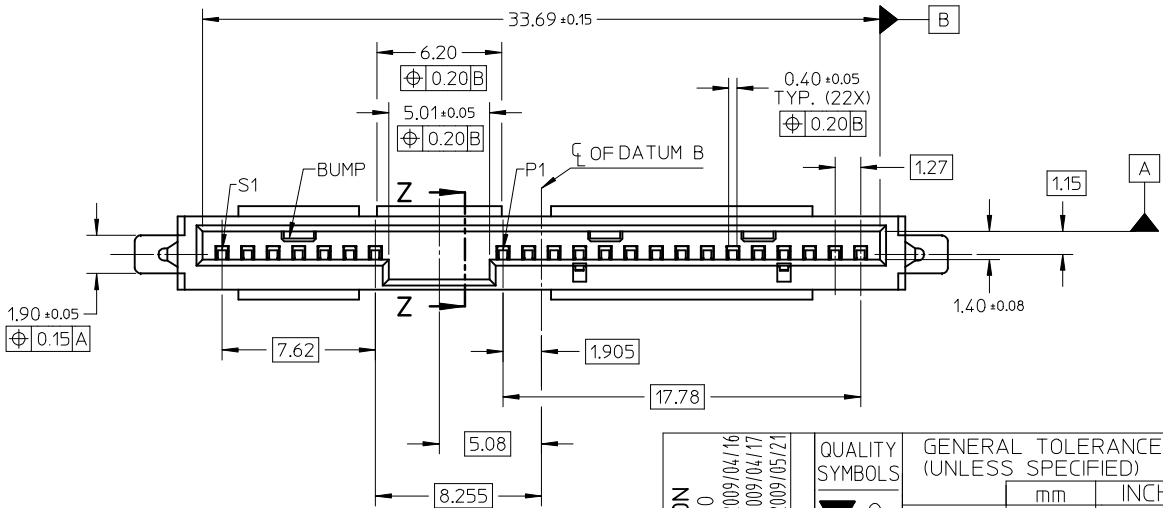
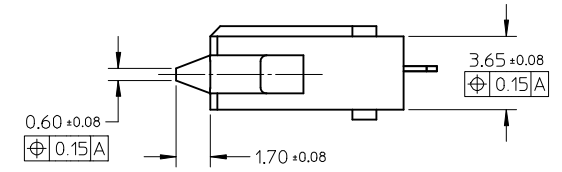


NOTES:

1. MATERIAL:
HOUSING: THERMAL PLASTIC, GLASS FILLED, UL94V-0, COLOR: BLACK.
TERMINAL: COPPER ALLOY, THICKNESS=0.25MM.
2. TERMINAL PLATING:
CONTACT AREA: GOLD PLATED, SEE TABLE.
SOLDER AREA: PURE TIN, THICKNESS=1.27 MICRONS MINIMUM.
UNDER PLATE: NICKLE, THICKNESS=1.27 MICRONS MINIMUM.
3. PRODUCT SPECIFICATION: REFER TO PS-47362-001.
4. PACKAGING METHOD: REFER TO PK-47362-001.
5. PRODUCT COMPLIANT TO RoHS DIRECTIVE 2002/95/EC AND ELV DIRECTIVE 2000/53/EC



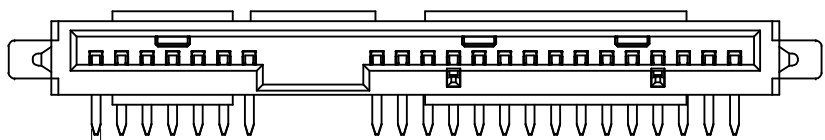
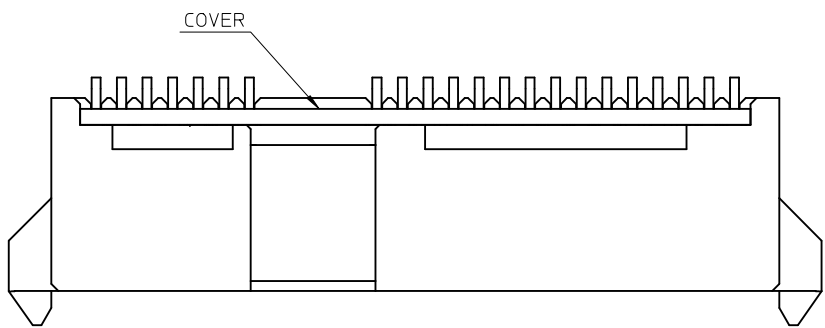
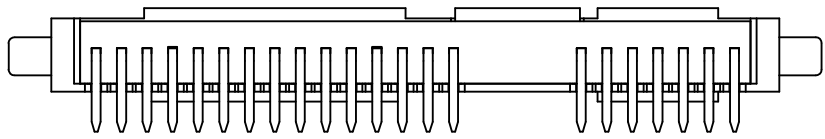
STRAIGHT TYPE



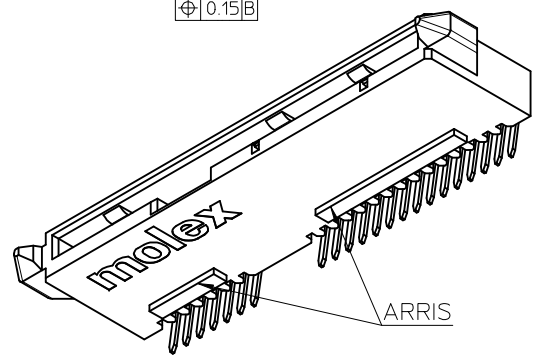
ADD NEW OPTION EC NO: SH2009-0500 DRWN: XJ SONG 2009/04/16 CHKD: XJ SONG 2009/04/17 APPR: HWANG 2009/05/21	QUALITY SYMBOLS	GENERAL TOLERANCES (UNLESS SPECIFIED)	DIMENSION STYLE	SCALE	DESIGN UNITS	THIRD ANGLE PROJECTION
	▽=0 ∇=0	4 PLACES ± --- ± --- 3 PLACES ± --- ± --- 2 PLACES ± 0.2 ± --- 1 PLACE ± 0.25 ± --- ANGULAR ± 3 °	MM ONLY	4:1	METRIC	

DRAWN BY BCHEN26 CHECKED BY DIXON APPROVED BY GRATE	DATE	TITLE
	2005/12/05	COMBO SAS RECEPTACLE CABLE END
MATERIAL NO.	DOCUMENT NO.	SHEET NO.
SEE SHEETS	SD-47363-100	1 OF 5

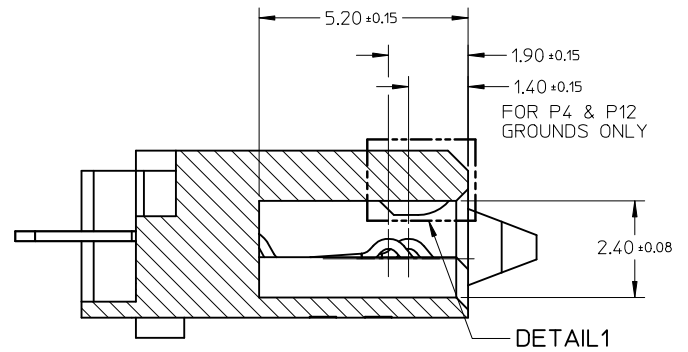
DRAWN BY BCHEN26 CHECKED BY DIXON APPROVED BY GRATE		DATE	TITLE
DATE		2005/12/05	COMBO SAS RECEPTACLE CABLE END
MATERIAL NO.		DOCUMENT NO.	SHEET NO.
SEE SHEETS		SD-47363-100	1 OF 5



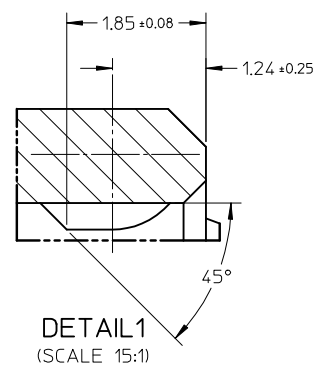
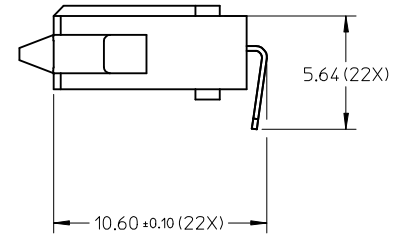
0.45 ±0.05
TYP. (22X)
⌀ 0.15



RIGHT ANGLE(90 DEGREE) TYPE
OTHER DIMENSIONS REFER TO STRAIGHT TYPE

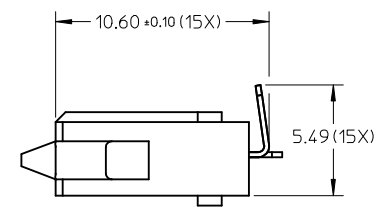
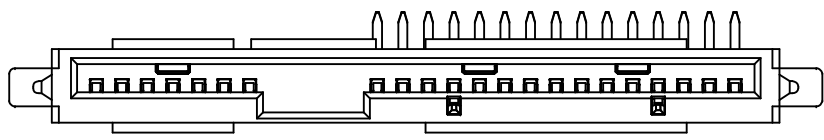
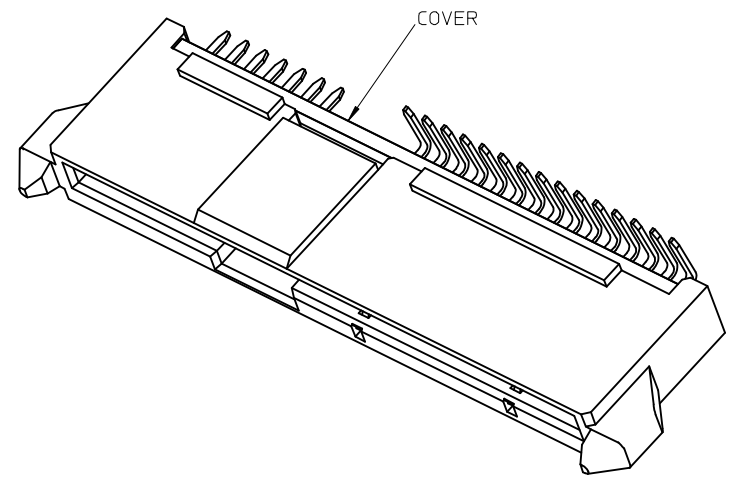
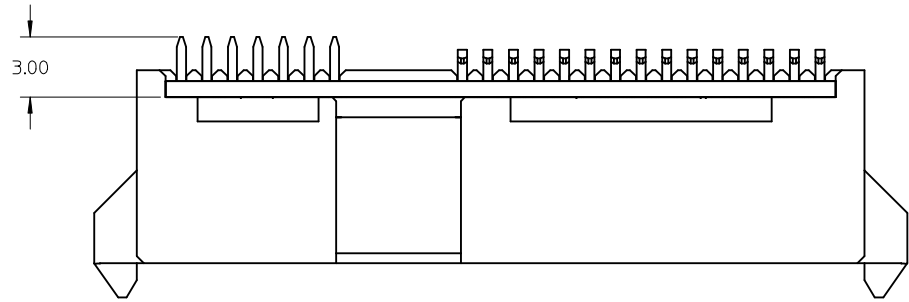


SECTION Z-Z
(SCALE 8:1)



DETAIL 1
(SCALE 15:1)

SEE SHEET 1 EC NO: SHZ009-0500 TDRWNX:J.SONG 2009/04/16 CHKDX:J.SONG 2009/04/17 APPR:HWANG 2009/05/21	QUALITY SYMBOLS	GENERAL TOLERANCES (UNLESS SPECIFIED)		DIMENSION STYLE MM ONLY		SCALE 4:1	DESIGN UNITS METRIC	THIRD ANGLE PROJECTION
	▽=0 ◻=0	mm	INCH	DRAWN BY BCHEN26	DATE 2005/12/05	TITLE COMBO SAS RECEPTACLE CABLE END		
		4 PLACES ± --- ± ---	3 PLACES ± --- ± ---	CHECKED BY DIXON	DATE 2005/12/05	MOLEX INCORPORATED		
		2 PLACES ± 0.2 ± ---	1 PLACE ± 0.25 ± ---	APPROVED BY GRATE	DATE 2005/12/05	DOCUMENT NO. SD-47363-100		
		ANGULAR ± 3 °		MATERIAL NO. SEE SHEETS		SHEET NO. 2 OF 5		
	DRAFT WHERE APPLICABLE MUST REMAIN WITHIN DIMENSIONS		THIS DRAWING CONTAINS INFORMATION THAT IS PROPRIETARY TO MOLEX INCORPORATED AND SHOULD NOT BE USED WITHOUT WRITTEN PERMISSION					



COMPOSITE TYPE
OTHER DIMENSIONS REFER TO STRAIGHT TYPE OR RIGHT ANGLE(90 DEGREE) TYPE.

SEE SHEET1 EC NO: SHZ009-0500 DRWN: XJ.SONG CHKD: XJ.SONG APPR: H.WANG	2009/04/16 2009/04/17 2009/05/21	DESCRIPTION REV	QUALITY SYMBOLS	GENERAL TOLERANCES (UNLESS SPECIFIED) mm INCH 4 PLACES ± --- ± --- 3 PLACES ± --- ± --- 2 PLACES ± 0.2 ± --- 1 PLACE ± 0.25 ± --- ANGULAR ± 3 ° DRAFT WHERE APPLICABLE MUST REMAIN WITHIN DIMENSIONS	DIMENSION STYLE	SCALE	DESIGN UNITS	THIRD ANGLE PROJECTION
			▽=0 ◻=0		MM ONLY	4:1	METRIC	□ ▽ THIRD ANGLE PROJECTION
			DRAWN BY: B.CHEN26 CHECKED BY: DIXON APPROVED BY: GRATE		DATE: 2005/12/05	TITLE: COMBO SAS RECEPTACLE CABLE END		
			MATERIAL NO. SEE SHEETS 5		DOCUMENT NO. SD-47363-100	SHEET NO. 3 OF 5		

10 9 8 7 6 5 4 3 2 1

F

E

D

C

B

A

F

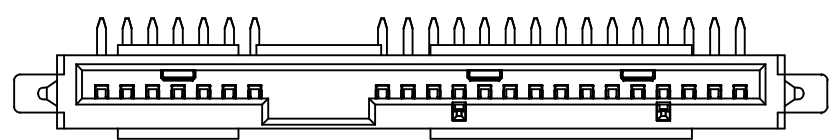
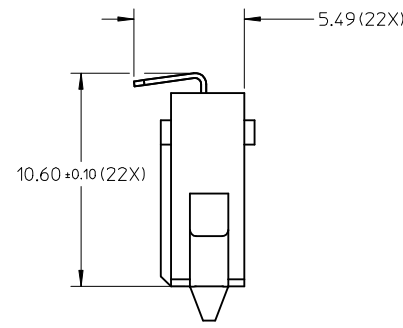
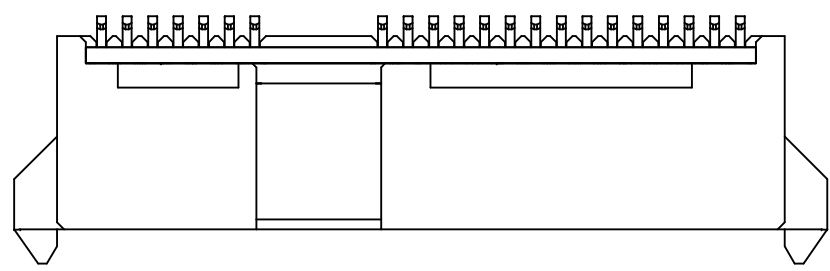
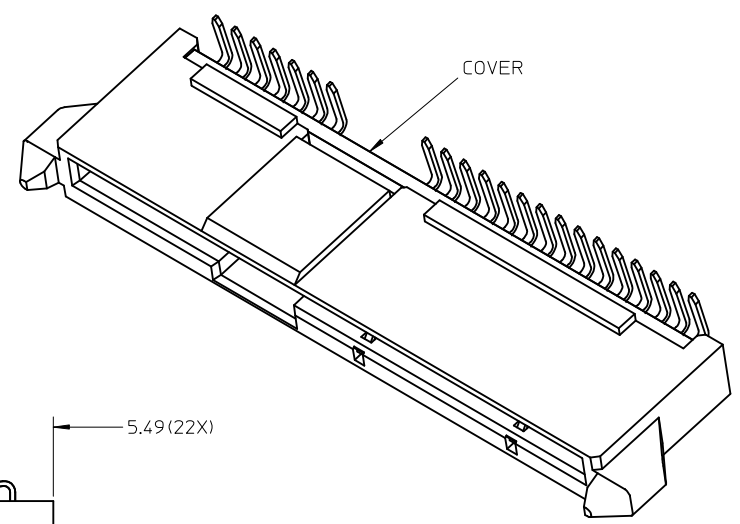
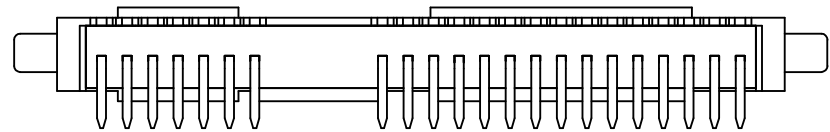
E

D

C

B

A



RIGHT ANGLE(270 DEGREE)TYPE
OTHER DIMENSIONS REFER TO RIGHT ANGLE(90 DEGREE) TYPE.

SEE SHEET1 EC NO: SH2009-0500 2009/04/16 DRAWN: XJ SONG 2009/04/17 CHKD: XJ SONG APPR: H WANG 2009/05/21	QUALITY SYMBOLS ▽=0 ◻=0	GENERAL TOLERANCES (UNLESS SPECIFIED)		DIMENSION STYLE	SCALE	DESIGN UNITS	THIRD ANGLE PROJECTION		
			mm	INCH	MM ONLY	4:1	METRIC		
		4 PLACES	± ---	± ---	DRAWN BY	DATE	TITLE		
		3 PLACES	± ---	± ---	BCHEN26	2005/12/05	COMBO SAS RECEPTACLE CABLE END		
2 PLACES	± 0.2	± ---	CHECKED BY	DATE	MOLEX INCORPORATED				
1 PLACE	± 0.25	± ---	DIXON	2005/12/05					
ANGULAR ± 3 °		APPROVED BY		DATE	MATERIAL NO. DOCUMENT NO. SHEET NO.				
DRAFT WHERE APPLICABLE MUST REMAIN WITHIN DIMENSIONS		GRATE		2005/12/05					
		SEE SHEET 5		SD-47363-100		4 OF 5			
		SIZE A3		THIS DRAWING CONTAINS INFORMATION THAT IS PROPRIETARY TO MOLEX INCORPORATED AND SHOULD NOT BE USED WITHOUT WRITTEN PERMISSION					

9 8 7 6 5 4 3 2 1

10	9	8	7	6	5	4	3	2	1
P/N	PLATE TYPE	REMARK	STRAIGHT OR R/A	P/N	PLATE TYPE	REMARK	STRAIGHT OR R/A		
47363-1000	GOLD FLASH	WITH ARRIS ON BOTH SURFACE	STRAIGHT TYPE	47363-4000	GOLD FLASH	WITH ARRIS ON BOTH SURFACE WITH COVER	RIGHT ANGLE TYPE (270 DEGREE)		
47363-1001	GOLD PLATED 0.76 MICRONS MIN.			47363-4001	GOLD PLATED 0.76 MICRONS MIN.				
47363-1002	GOLD PLATED 0.38 MICRONS MIN.			47363-4002	GOLD PLATED 0.38 MICRONS MIN.				
47363-1010	GOLD FLASH			47363-4010	GOLD FLASH				
47363-1011	GOLD PLATED 0.76 MICRONS MIN.	WITH ARRIS ON TOP SURFACE WITH COVER		47363-4011	GOLD PLATED 0.76 MICRONS MIN.				
47363-1012	GOLD PLATED 0.38 MICRONS MIN.			47363-4012	GOLD PLATED 0.38 MICRONS MIN.				
47363-1020	GOLD FLASH			47363-4020	GOLD FLASH				
47363-1021	GOLD PLATED 0.76 MICRONS MIN.			47363-4021	GOLD PLATED 0.76 MICRONS MIN.				
47363-1022	GOLD PLATED 0.38 MICRONS MIN.	WITH ARRIS ON BOTTOM SURFACE WITH COVER		47363-4022	GOLD PLATED 0.38 MICRONS MIN.				
47363-1030	GOLD FLASH			47363-4030	GOLD FLASH				
47363-1031	GOLD PLATED 0.76 MICRONS MIN.			47363-4031	GOLD PLATED 0.76 MICRONS MIN.				
47363-1032	GOLD PLATED 0.38 MICRONS MIN.			47363-4032	GOLD PLATED 0.38 MICRONS MIN.				
47363-1033	GOLD FLASH	WITHOUT ARRIS WITH COVER							
47363-2000	GOLD FLASH								
47363-2001	GOLD PLATED 0.76 MICRONS MIN.		RIGHT ANGLE TYPE (90 DEGREE)						
47363-2002	GOLD PLATED 0.38 MICRONS MIN.								
47363-2010	GOLD FLASH								
47363-2011	GOLD PLATED 0.76 MICRONS MIN.	WITH ARRIS ON TOP SURFACE WITH COVER							
47363-2012	GOLD PLATED 0.38 MICRONS MIN.								
47363-2020	GOLD FLASH								
47363-2021	GOLD PLATED 0.76 MICRONS MIN.			WITH ARRIS ON BOTTOM SURFACE WITH COVER					
47363-2022	GOLD PLATED 0.38 MICRONS MIN.								
47363-2030	GOLD FLASH								
47363-2031	GOLD PLATED 0.76 MICRONS MIN.	WITHOUT ARRIS WITH COVER							
47363-2032	GOLD PLATED 0.38 MICRONS MIN.								
47363-3000	GOLD FLASH			COMPOSITE TYPE					
47363-3001	GOLD PLATED 0.76 MICRONS MIN.		WITH ARRIS ON BOTH SURFACE WITH COVER						
47363-3002	GOLD PLATED 0.38 MICRONS MIN.								
47363-3010	GOLD FLASH								
47363-3011	GOLD PLATED 0.76 MICRONS MIN.	WITH ARRIS ON TOP SURFACE WITH COVER							
47363-3012	GOLD PLATED 0.38 MICRONS MIN.								
47363-3020	GOLD FLASH								
47363-3021	GOLD PLATED 0.76 MICRONS MIN.		WITH ARRIS ON BOTTOM SURFACE WITH COVER						
47363-3022	GOLD PLATED 0.38 MICRONS MIN.								
47363-3030	GOLD FLASH								
47363-3031	GOLD PLATED 0.76 MICRONS MIN.	WITHOUT ARRIS WITH COVER							
47363-3032	GOLD PLATED 0.38 MICRONS MIN.								

B									
---	--	--	--	--	--	--	--	--	--

SEE SHEET1 EC NO: SHZ009-0500 DRAWN: J.SONG CHKD: J.SONG APPR: H.WANG	REV	DESCRIPTION	QUALITY SYMBOLS	GENERAL TOLERANCES (UNLESS SPECIFIED)		DIMENSION STYLE		SCALE	DESIGN UNITS	THIRD ANGLE PROJECTION
			▽=0	mm	INCH	MM ONLY	4:1	METRIC	☉	
			◻=0	4 PLACES ± --- ± ---	DRAWN BY	DATE	TITLE			
				3 PLACES ± --- ± ---	BCHEN26	2005/12/05	COMBO SAS RECEPTACLE CABLE END			
				2 PLACES ± 0.2 ± ---	CHECKED BY	DATE				
	1 PLACE ± 0.25 ± ---	DIXON	2005/12/05							
	ANGULAR ± 3 °	APPROVED BY	DATE							
		GRATE	2005/12/05							
		MATERIAL NO.		MOLEX INCORPORATED						
				DOCUMENT NO.						
				SD-47363-100						
				SHEET NO.						
				5 OF 5						
				DRAFT WHERE APPLICABLE MUST REMAIN WITHIN DIMENSIONS						
				SEE TABLE						
				THIS DRAWING CONTAINS INFORMATION THAT IS PROPRIETARY TO MOLEX INCORPORATED AND SHOULD NOT BE USED WITHOUT WRITTEN PERMISSION						

ib_frame_A3_P_AM_T Rev. E 2006/04/15	9	8	7	6	5	4	3	2	1
---	---	---	---	---	---	---	---	---	---