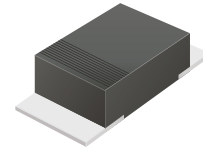


CDBM220-G Thru. CDBM2100-G

Reverse Voltage: 20 to 100 Volts

Forward Current: 2.0 Amp

RoHS Device

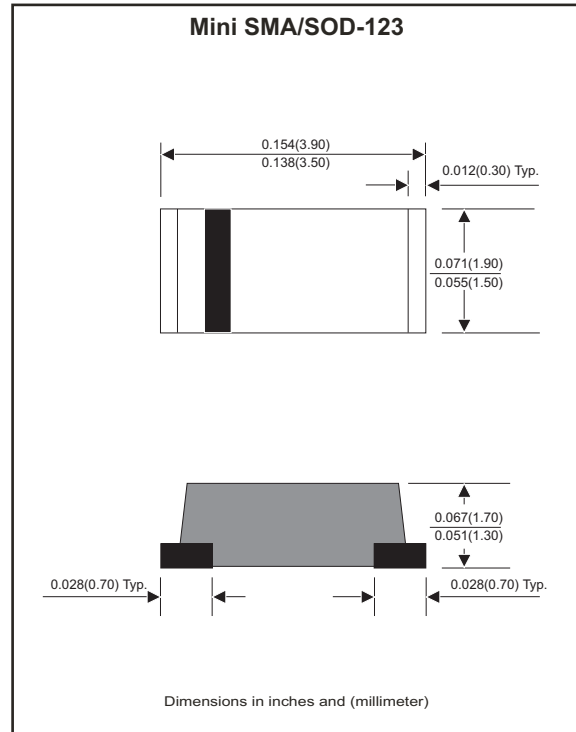


Features

- Ideal for surface mount applications.
- Easy pick and place.
- Plastic package has Underwriters Lab. flammability classification 94V-0.
- Exceeds environmental standard MIL-S-19500/228.
- Low leakage current.

Mechanical data

- Case: Molded plastic, JEDEC Mini SMA/SOD-123.
- Terminals: Solderable per MIL-STD-750, method 2026.
- Polarity: Indicated by cathode band.
- Weight: 0.018 grams approx.



Maximum Ratings (at $T_A=25^\circ\text{C}$ unless otherwise noted)

Parameter	Symbol	CDBM 220-G	CDBM 230-G	CDBM 240-G	CDBM 250-G	CDBM 260-G	CDBM 280-G	CDBM 2100-G	Unit	
Repetitive peak reverse voltage	V_{RRM}	20	30	40	50	60	80	100	V	
Maximum RMS voltage	V_{RMS}	14	21	28	35	42	56	70	V	
Continuous reverse voltage	V_R	20	30	40	50	60	80	100	V	
Forward voltage @ $I_F=2.0A$	V_F	0.50			0.70		0.85		V	
Forward rectified current	I_o	2.0								A
Forward surge current, 8.3ms half sine wave superimposed on rated load (JEDEC method)	I_{FSM}	50								A
Reverse current on $V_R=V_{RRM}$ @ $T_A=25^\circ\text{C}$ @ $T_A=125^\circ\text{C}$	I_R					0.5		10		mA
Typ. thermal resistance, junction to ambient air	$R_{\theta JA}$					85				$^\circ\text{C/W}$
Typ. diode junction capacitance (Note 1)	C_J	160								pF
Operating junction temperature	T_J	-55 to +125				-55 to +150				$^\circ\text{C}$
Storage temperature	T_{STG}	-65 to +175								$^\circ\text{C}$

Note 1: $f=1\text{MHz}$ and applied 4V DC reverse voltage.

Rating and Characteristic Curves (CDBM220-G Thru. CDBM2100-G)

Fig.1 Reverse Characteristics

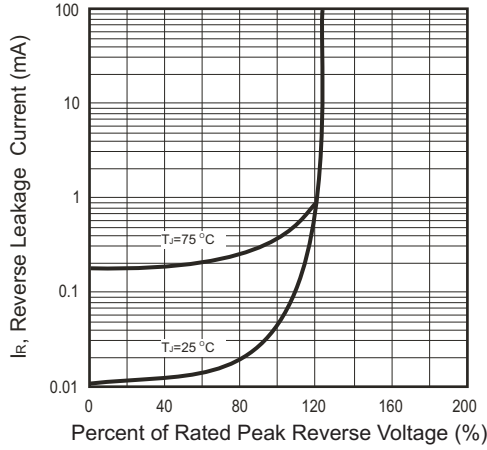


Fig.2 Typical Forward Characteristics

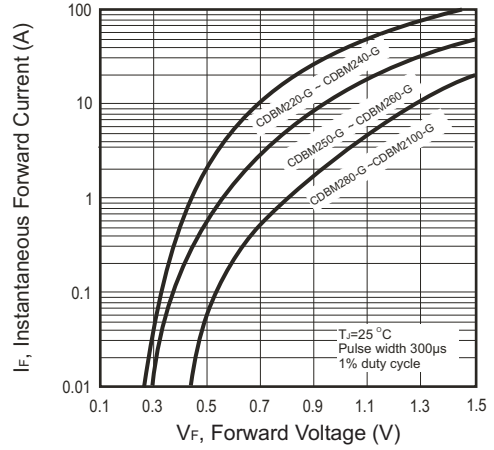


Fig.3 Junction Capacitance

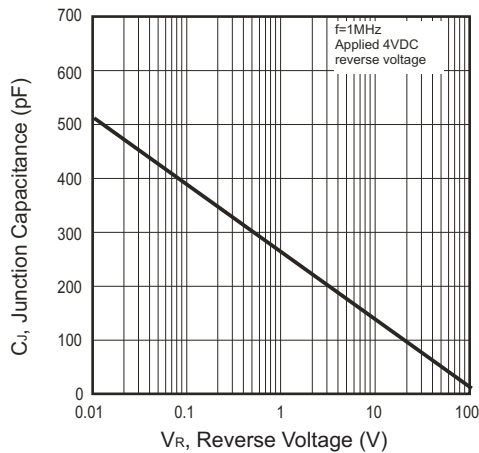


Fig.4 Current Derating Curve

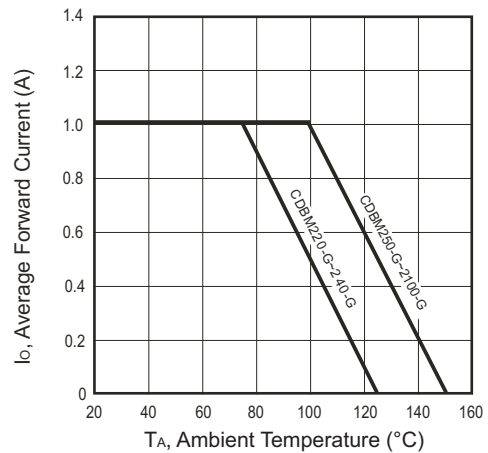
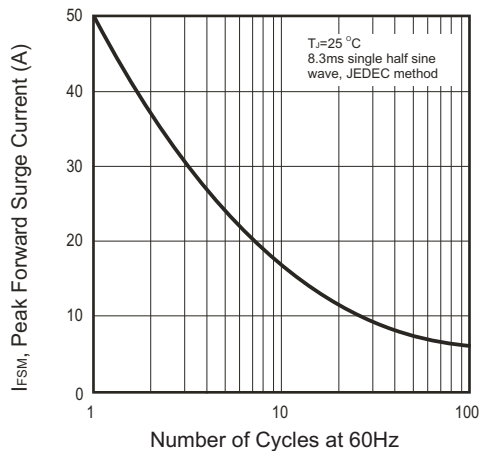
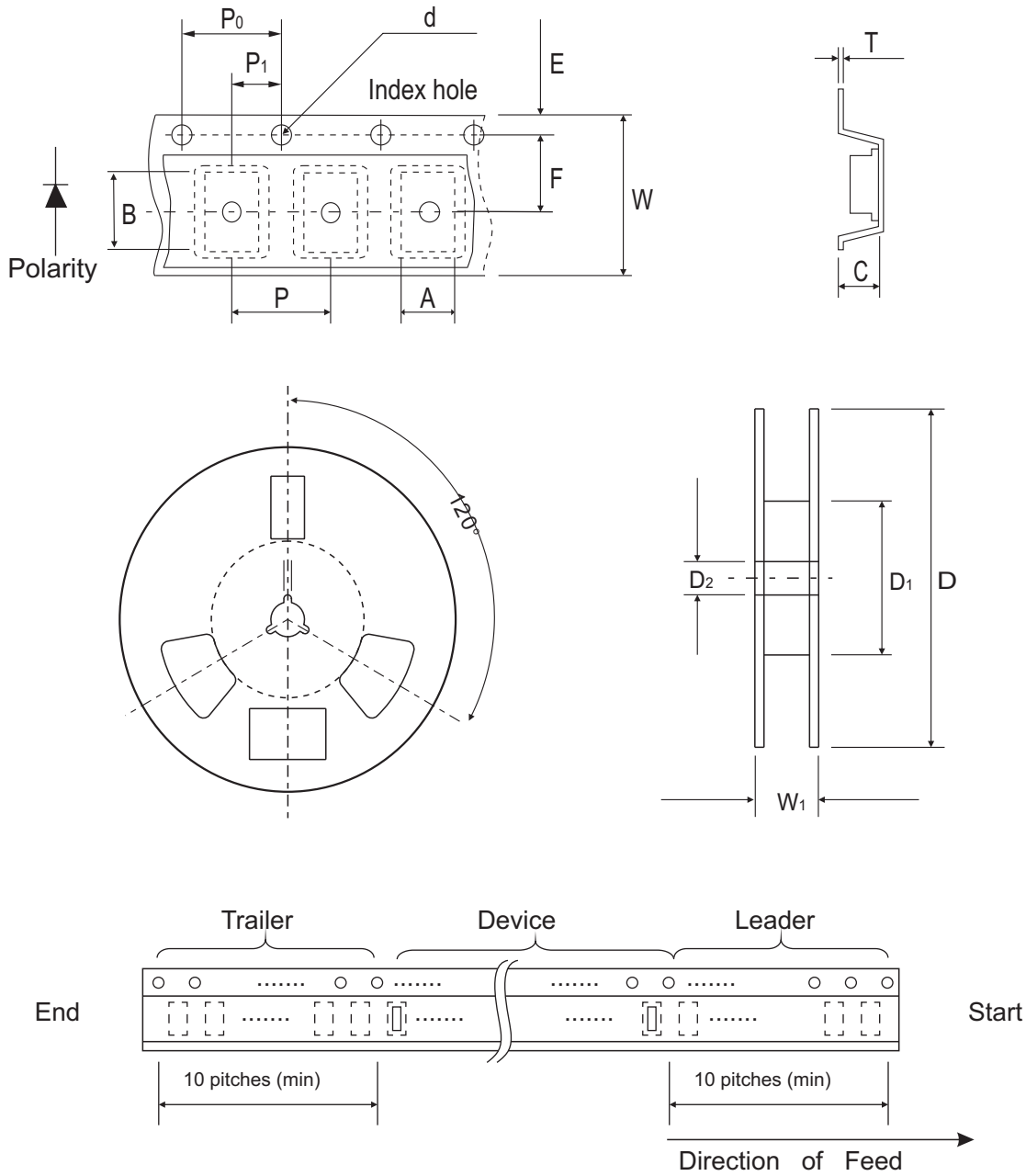


Fig.5 Non-repetitive Forward Surge Current



Reel Taping Specification



Mini-SMA /SOD-123	SYMBOL	A	B	C	d	D	D1	D2
	(mm)	1.90 ± 0.10	3.90 ± 0.10	1.68 ± 0.10	1.50 ± 0.10	178 ± 2.00	62.0 MIN.	13.0 ± 0.50
	(inch)	0.075 ± 0.04	0.153 ± 0.04	0.066 ± 0.04	0.059 ± 0.004	7.00 ± 0.079	2.440 MIN.	0.512 ± 0.020

Mini-SMA /SOD-123	SYMBOL	E	F	P	P0	P1	T	W	W1
	(mm)	1.75 ± 0.10	3.50 ± 0.10	4.00 ± 0.10	4.00 ± 0.10	2.00 ± 0.10	0.23 ± 0.10	8.00 ± 0.30	11.4 ± 1.00
	(inch)	0.689 ± 0.004	0.138 ± 0.004	0.157 ± 0.004	0.157 ± 0.004	0.079 ± 0.004	0.009 ± 0.004	0.315 ± 0.012	0.449 ± 0.039

Marking Code

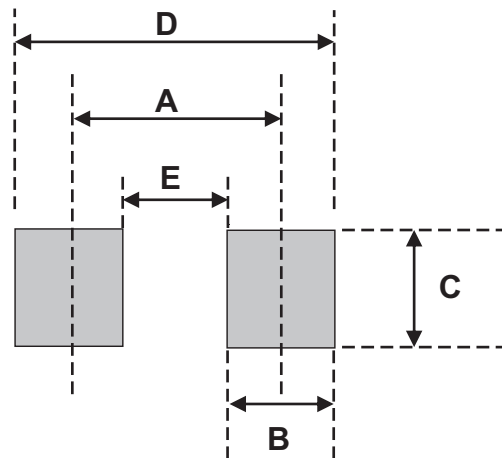
Part Number	Marking Code
CDBM220-G	22
CDBM230-G	23
CDBM240-G	24
CDBM260-G	26
CDBM280-G	28
CDBM2100-G	20



xx = Product type marking code

Suggested PAD Layout

SIZE	Mini-SMA/SOD-123	
	(mm)	(inch)
A	3.30	0.130
B	1.40	0.055
C	1.90	0.075
D	4.70	0.185
E	1.90	0.075



Standard Packaging

Case Type	REEL PACK	
	REEL (pcs)	Reel Size (inch)
Mini-SMA /SOD-123	2,500	7