

FWS-7160 (FWS-816B)

1U Intel® Core™ 2 Duo Network Appliance With 6/8 PCI-Express LAN Ports



Features

- 1U 8 LAN Ports Network Appliance
- Intel® Pentium® 4, Core™ 2 Duo & Dual Core™ LGA775 CPU
- 240-Pin Dual-Channel DDR2 533/667 SDRAM DIMM x 2 Up To 4 GB
- Intel® 945G Integrated Graphics Accelerator
- 10/100/1000Base-TX Ethernet x 6 (2 Ports Bypass Function) & 10/100Base-TX Ethernet x 2
- Ultra ATA 100 Port x 1 & SATA 3.0Gb/s x 2
- CompactFlash™ Type 2 x 1 & DOM
- 250W Power With Auto Range Input
- USB2.0 x 6 (Pin Header x 4), Parallel LCM With Keypad, RS-232 Console x 1 On The Front Panel
- Watchdog Function 1~255 Sec.
- Internal 3.5" Disk Drive Bay x 1
- PCI-Express [x1], PCI-X, PCI Expansion Slot (Optional)



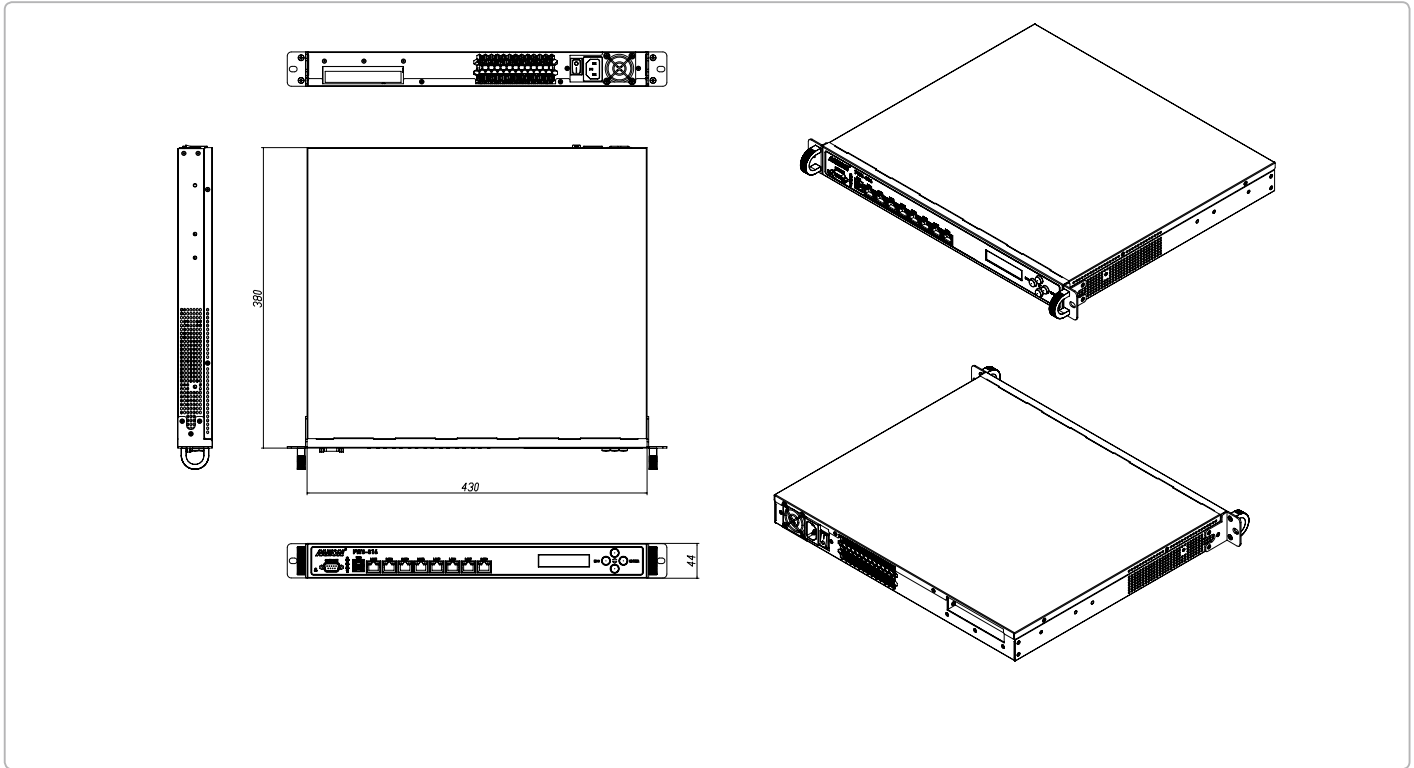
Specifications

System	
Form Factor	1U 8-port Network Appliance
Processor	Intel® Pentium® 4 LGA775 (FSB400/533/800/1066) Dual Core™ 3.6 GHz, and Core™ 2 Duo
System Memory	240-Pin DDR2 533/667 DIMM Socket x 2, total up to 4 GB Support Dual-channel
Chipset	Intel® 945G + Intel® 82801FB (ICH7R)
Ethernet	10/100/1000Base-TX (with 2 ports bypass) x 6, 10/100Base-TX x 2
BIOS	Award Plug & Play FWH BIOS – 4 Mb ROM
IDE Interface	ATA 100 x 1 channel
Serial ATA	SATA 3.0Gb/s x 2 optional 2.5" Hard Disk Drive Bay
Solid Storage Disk	CompactFlash™ Type 2 Connector (ATA Mode)
Expansion Interface	Mini-PCI Type 3
Watchdog Timer	1~255 steps, can be set with software on Super I/O
RTC	Internal RTC
Storage	Internal: 3.5" Hard Disk x 1
System Fan	4cm Ball Bearing Fan x 3
Front I/O Panel	Power LED x 1, HDD Active LED x 1, Bypass LED x 1, Status LED x 1, LAN LED x 16, USB x 2, LAN x 8, DB-9 connector x 1, LCM Display x 1, Reset Button x 1
Rear I/O Panel	PCI Expansion Slot x 1, Power Switch x 1
Color	Blue
LCM	16 x 2 characters with 4 keypad control
Power Supply	ATX 250W, auto range
Dimension	16.9" (W) x 15" (D) x 1.7" (H) (430mm x 380mm x 44mm)—Chassis 9.8" (W) x 11" (D) (250mm x 280mm)— Board
Power Consumption	166W, Intel® P4 3.8 GHz CPU
MTBF (Hours)	58,000
Display	
VGA Controller	Integrated VGA on Intel® 865G, pin header connector
I/O	
Serial Port	COM port x 2: (Internal Pin Header x 1) COM 1: RS-232, COM 2: RS-232 (Pin Header)
K/B and Mouse	Reserved pin header
Universal Serial Bus	TYPE-A Connector on front panel x 2; Pin header x 4
Rear I/O Panel	PCI/ PCI-X/ PCI-Express [x1] expansion slot x 1 (optional)

FWS-7160 (FWS-816B)

Dimension

Unit: mm



Environment	
Operating Temperature	32°F ~ 104°F (0°C ~ 40°C)
Storage temperature	-4°F ~ 140°F (-20°C ~ 60°C)
Operating humidity	10 ~ 80%
Storage humidity	10 ~ 80% @ 40°C, non-condensing
Vibration	0.5 g rms/ 5 ~ 500 Hz/ operation (3.5" Hard Disk Drive) 1.5 g rms/ 5 ~ 500 Hz/ non operation
Shock	10 G peak acceleration (11 m sec. duration), operation 20 G peak acceleration (11 m sec. duration), non operation

Packing List

- **1702151200**
HDD Power Cable x 1
- **1709070200**
SATA Cable x 2
- **1700091803**
D-SUB 9-pin Cable x 1
- **9761810006**
Ear Bracket Module
- **M918100010**
CPU Heatpipe Module
- **Product CD**
- **FWS-7160**

Ordering Information

- **TF-FWS-816W8-H25-B10**
Firewall Platform, FWB-816B, Core™ 2 Duo CPU, 8LAN Ports/ 6 Gigabit LAN Ports, 1U ATX 250W Power, Blue

Optional Accessories

- **M026666000**
Slide x 2, for Rackmount use
- **1701160302**
VGA Cable
- **1700060150**
PS2 KB/MS Cable
- **1702031803**
Power Cord, 3P-250V/10A 180D, 1.8M, VDE, FAN-JET, YP-22/YP-12
- **1702031802**
Power Cord, 3P-125V/10A 180D, 1.8M, USA, FAN-JET, YP-12/YC-12
- **170203180E**
Power Cord, 3P-125V/7A, 1.8M, PSE, YP-12/YC-12 Certified
- **M108100030**
1 x Bracket For Dual 2.5" H.D.D