

2 options for all applications

Mounting Brackets Series: 10 New "E2 mini"

351 1455 / 1480
Option 1: Pivoting

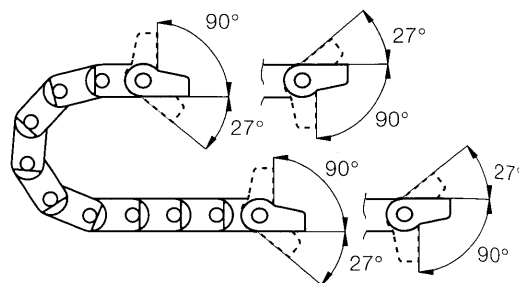
Option 1: pivoting

- Mounting bracket with or without pivoting strain relief tiwrap plates

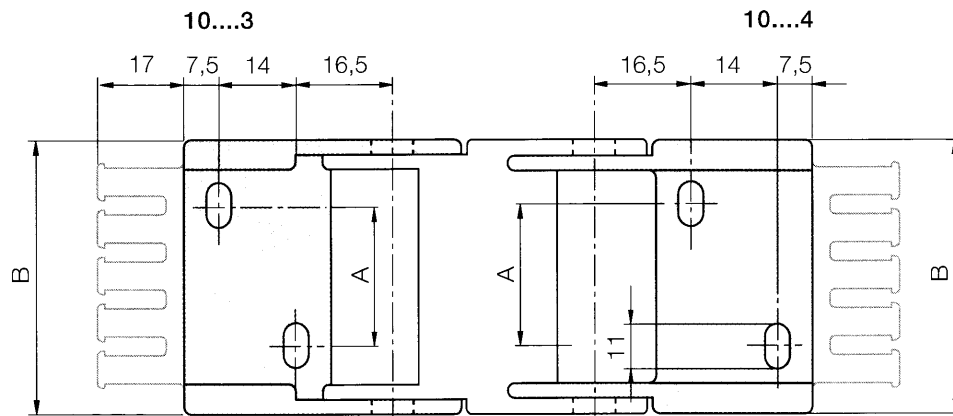


- Standard
- ⊕ Pivoting
- ⊕ Short and long travels
- ⊕ Confined installation conditions
- ⊕ Corrosion-resistant
- Locked connection
- Vertical hanging / standing, unsupported

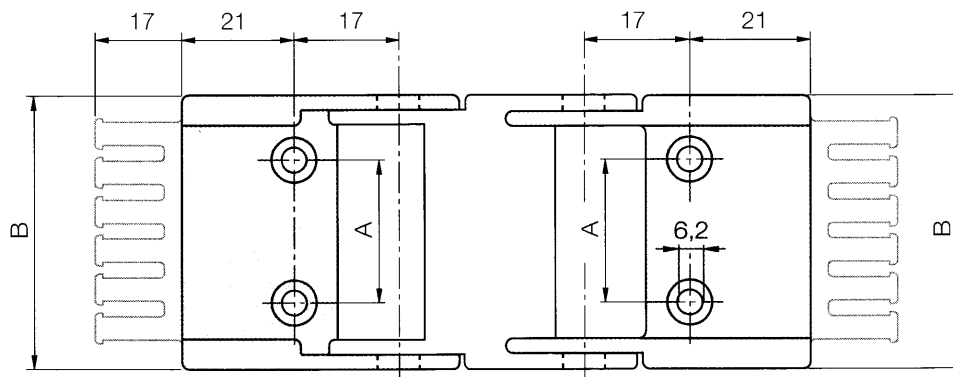
10...1
Moving end



10...2
Fixed end



1015.34P(Z) – 1050.34P(Z)



105.34P(Z) – 107.34P(Z)

Chain Type	Part No. Full Set, with Tiewrap Plates	Part No. Full Set	Dimension A in mm	Dimension B in mm
10.015	1015.12PZ	1015.12P	0	25,5
10.025	1025.12PZ	1025.12P	14	35,5
10.038	1038.12PZ	1038.12P	27	48,5
10.050	1050.12PZ	1050.12P	39	60,5
10.5	105.12PZ	105.12P	48	75,0
10.6	106.12PZ	106.12P	65	92,0
10.7	107.12PZ	107.12P	85	112,0

10... 34PZ = Full set, each part with pin / bore

10... 3PZ = Mounting bracket with bore

10... 4PZ = Mounting bracket with pin

Phone +49- (0) 22 03 96 49-0
Fax +49- (0) 22 03 96 49-222

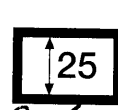
igus® GmbH
51127 Cologne

Internet: <http://www.igus.de>
email: info@igus.de

igus®

Series: 200/240/250 "E2 medium"

351 | 1492 | 1558 | 1571 | 1595

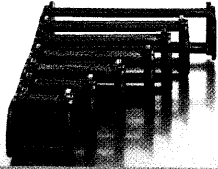


Price Index

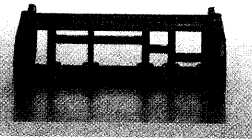


7 Widths

9 Bending Radii



3 options for interior separation



5 options for mounting brackets



Various strain relief options



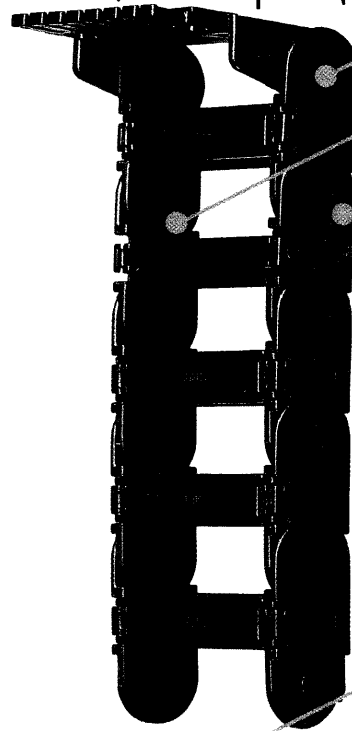
igus® Energy Chain Systems®

Phone +49- (0) 22 03 96 49-0
Fax +49- (0) 22 03 96 49-222

igus® GmbH
51127 Cologne

Internet: <http://www.igus.de>
email: info@igus.de

5.70



Large pins for long service life

Smooth interior for long cable life

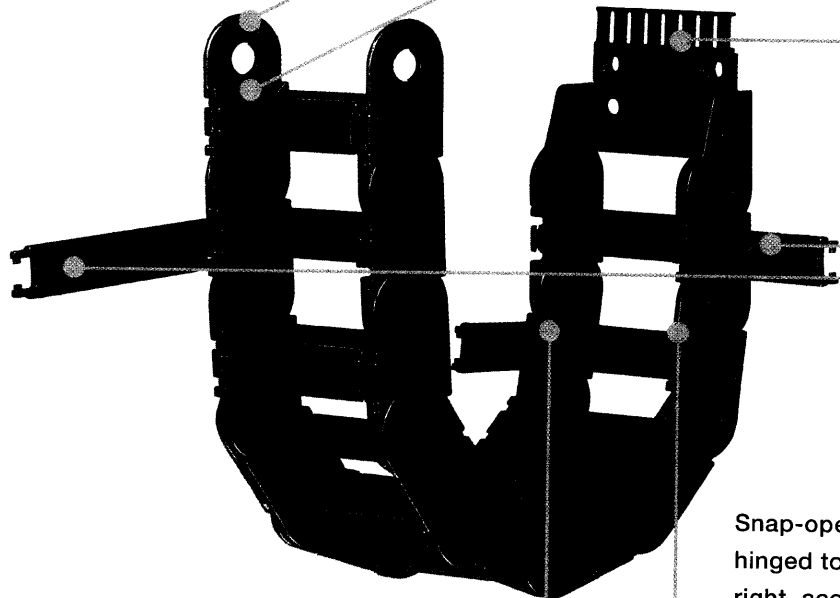
Dirt-repellent exterior

240 Series (snap-open along inner radius) can be combined with 250 Series (snap-open along outer radius)

Integrated strain relief possible

Tapered insertion point for easy assembly

Reinforced stop dog



Snap-open, hinged to left or right, accessible from the top



When to use the Series 200/240/250:

- If snap-open accessibility along inner or outer radius is required
- If integrated strain relief is required at the connection point
- If modular interior separation is required
- If long service life is required
- If easy installation is required



When not to use them:

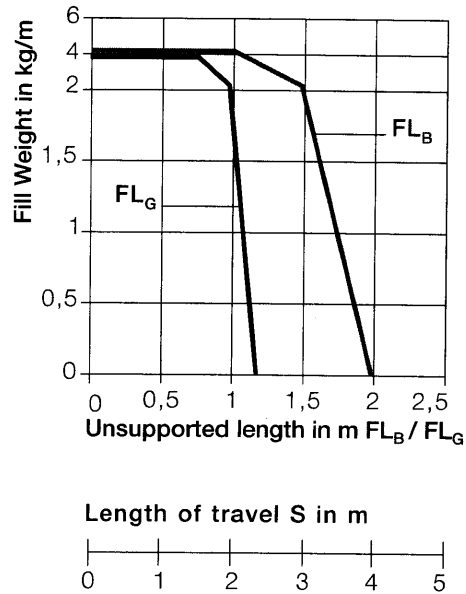
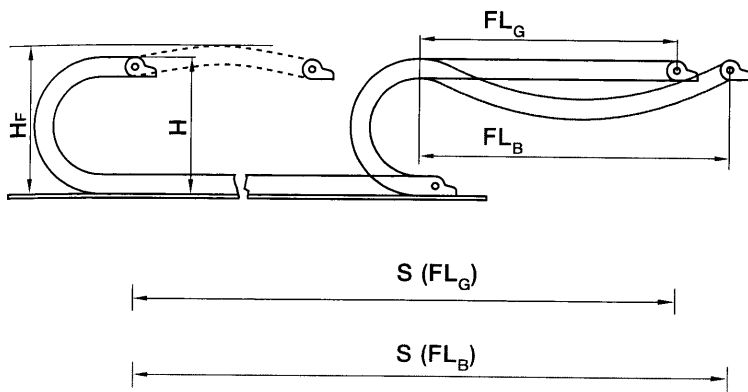
- If each link requires snap-open accessibility on both sides simultaneously
 - ▶ System E4, Series 220 etc.), Page 7.6
- If maximum stability is required
 - ▶ System E4, Series 220 etc.), Page 7.6
- If chip protection is required
 - ▶ Energy Tubes E2, Series R48, Page 6.28
- If the application is very simple
 - ▶ Easy Chain, Series E 200, Page 3.32

Product Range:

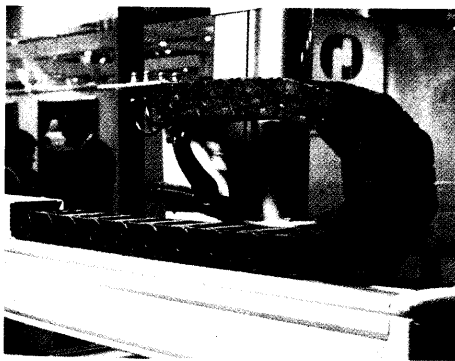
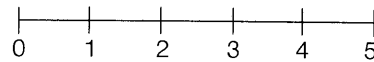
Inner Widths (Bi) in mm:	25, 38, 57, 77, 90, 103, 125
Bending Radii (R) in mm:	055, 075, 100, 125, 150, 175, 200, 225, 250
Pitch:	46 mm/link = 22 links/m (1012 mm)

Unsupported length

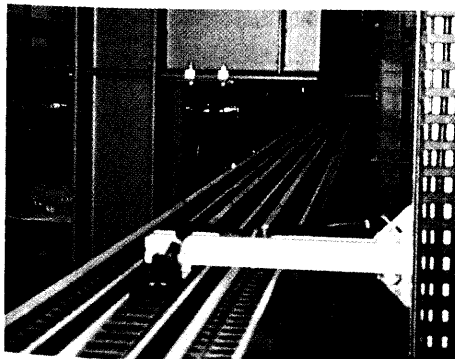
- FL_B = unsupported with permitted sag
- FL_G = unsupported with straight upper run



Length of travel S in m



Unsupported Energy Chains ► **Design, Page 1.8** feature positive camber over short travels. This must be accounted for when specifying the clearance height. Please refer to **Installation Dimensions** for details.



If the unsupported length is exceeded, the Energy Chain must glide on itself. This requires a guide trough.

► **Design, Page 1.18.**

Or, incorporation of igus' exclusive AUTO-GLIDE System guide elements, which are available for this chain series.

► **AUTO-GLIDE System, Page 8.17.**

- Long travel
Max. = 100 m

Other Installation Methods

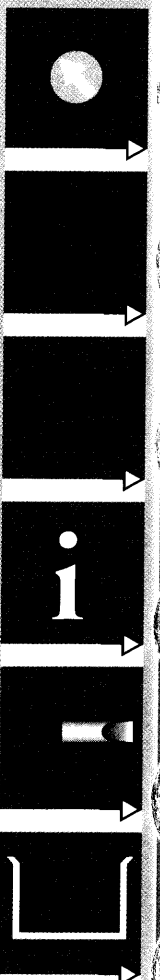
Vertical, hanging	= max. 40 m
Vertical, standing	= max. 3 m
Side-mounted, unsupported	= max. 1 m
Rotary	= requires further calculation

- Accessories for
 - Guide Troughs, Page 8.5
- Further information
 - Design, Page 1.1

Series 200/240/250

Phone +49- (0) 22 03 96 49-0

Fax +49- (0) 22 03 96 49-222



Order Example

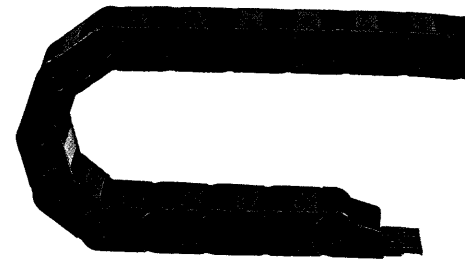
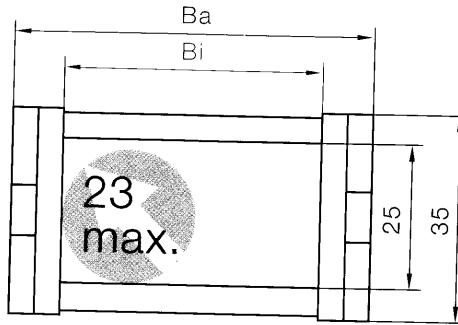


250.10.100.0

Standard color
0 = Black

● Other colors
► Design,
Page 1.62

Series 200 Energy Chain (non snap-open)

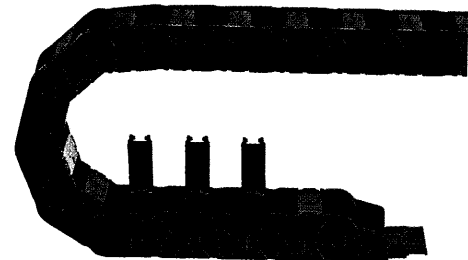
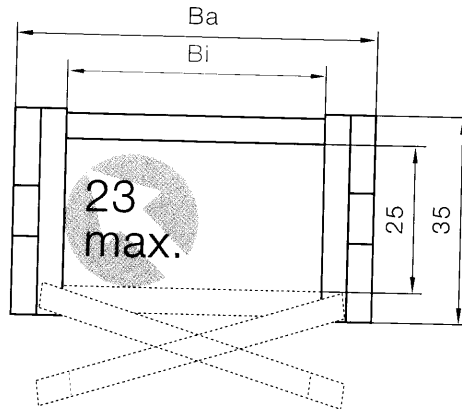


Part No.	Bi	Ba	Bending Radii
200.02. Radius	25	41	055 075 100 125 150
200.03. Radius	38	54	175 200 225 250
200.05. Radius	57	73	
200.07. Radius	77	93	
200.09. Radius	90	106	
200.10. Radius	103	119	
200.12. Radius	125	141	

These bending radii can be combined with every chain width!

Supplement part no. with required radius
for example 200.02.100.0

Series 240 Energy Chain (snap-open along inner radius)



Part No.	Bi	Ba	Bending Radii
240.02. Radius	25	41	055 075 100 125 150
240.03. Radius	38	54	175 200 225 250
240.05. Radius	57	73	
240.07. Radius	77	93	
240.09. Radius	90	106	
240.10. Radius	103	119	
240.12. Radius	125	141	

These bending radii can be combined with every chain width!

Supplement part no. with required radius
for example 240.02.100.0