

Silicon NPN Power Transistors

2SD2257

DESCRIPTION

- With TO-220F package
- High DC current gain
- Low saturation voltage
- Complement to type 2SB1495
- DARLINGTON

APPLICATIONS

- High power switching applications
- Hammer drive,pulse motor drive applications

PINNING

PIN	DESCRIPTION
1	Base
2	Collector
3	Emitter

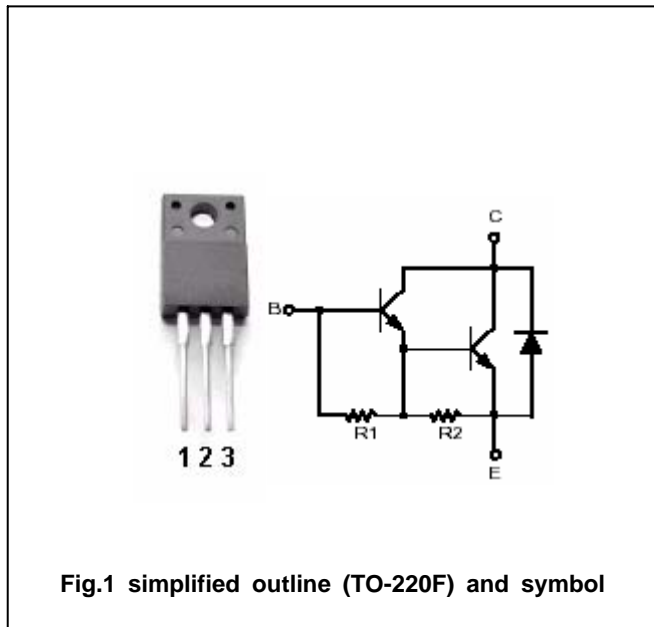


Fig.1 simplified outline (TO-220F) and symbol

Absolute maximum ratings (Ta=25)

SYMBOL	PARAMETER	CONDITIONS	VALUE	UNIT
V_{CBO}	Collector-base voltage	Open emitter	100	V
V_{CEO}	Collector-emitter voltage	Open base	100	V
V_{EBO}	Emitter-base voltage	Open collector	8	V
I_C	Collector current		± 3	A
I_{CM}	Collector current-peak		± 5	A
I_B	Base current		0.3	A
P_C	Collector dissipation	$T_a=25$	2.0	W
		$T_C=25$	20	
T_j	Junction temperature		150	
T_{stg}	Storage temperature		-55~150	

Silicon NPN Power Transistors

2SD2257

CHARACTERISTICS

T_j=25 unless otherwise specified

SYMBOL	PARAMETER	CONDITIONS	MIN	TYP.	MAX	UNIT
V _{(BR)CEO}	Collector-emitter breakdown voltage	I _C =10mA ; I _B =0	100			V
V _{CEsat}	Collector-emitter saturation voltage	I _C =1.5A ; I _B =1.5mA			1.5	V
V _{BEsat}	Base-emitter saturation voltage	I _C =1.5A ; I _B =1.5mA			2.0	V
I _{CBO}	Collector cut-off current	V _{CB} =100V ; I _E =0			10	μA
I _{EBO}	Emitter cut-off current	V _{EB} =8V ; I _C =0	0.8		4.0	mA
h _{FE-1}	DC current gain	I _C =1A ; V _{CE} =2V	2000			
h _{FE-2}	DC current gain	I _C =2A ; V _{CE} =2V	2000			
V _{ECF}	Diode forward voltage	I _E =1A			2.0	V

Switching times

t _{on}	Turn-on time	I _{B1} =-I _{B2} =1.5mA V _{CC} =30V , R _L =20 Duty cycle 1%		0.5		μs
t _s	Storage time			2.0		μs
t _f	Fall time			0.5		μs

Silicon NPN Power Transistors

2SD2257

PACKAGE OUTLINE

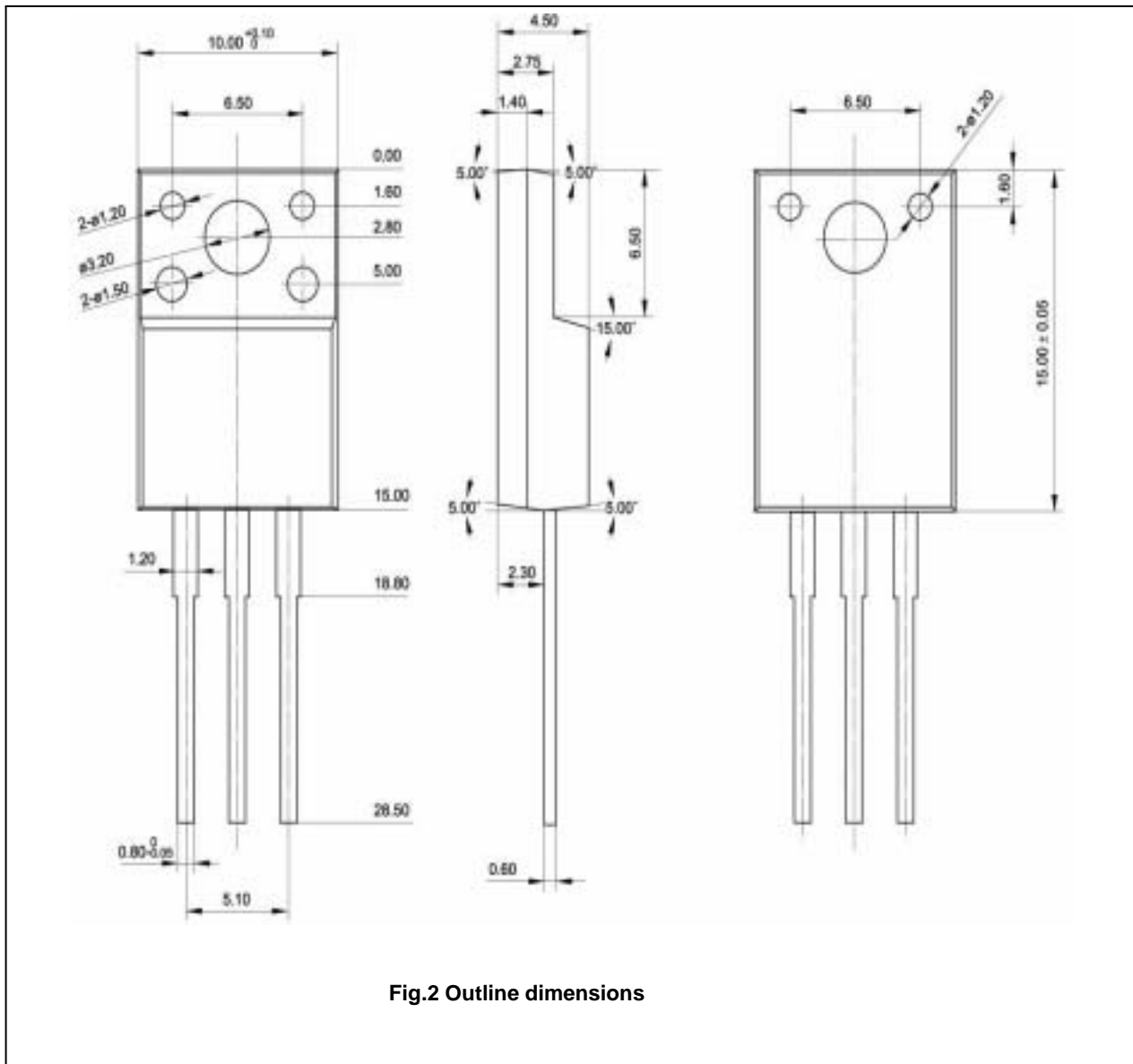


Fig.2 Outline dimensions