

6

5

4

3

2

1

**MATERIAL AND FINISH:**

Insulator: Polycarbonate, UL-94V-0 rated  
Contacts: Brass, Nickel plated

**ELECTRICAL SPECIFICATIONS:**

Current rating: 10 A  
Voltage rating: 250 VAC  
Insulation resistance: 100 Mohm min. at 500 VDC  
Dielectric withstanding voltage: 2000 VAC for one minute

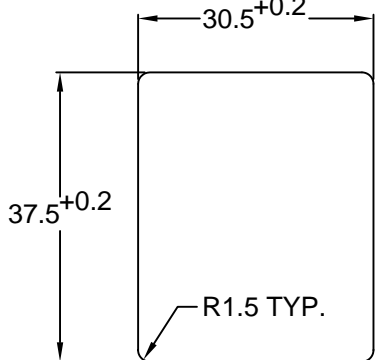
**ORDERING CODE:**

42R35-3    2    -        
          1    2        3

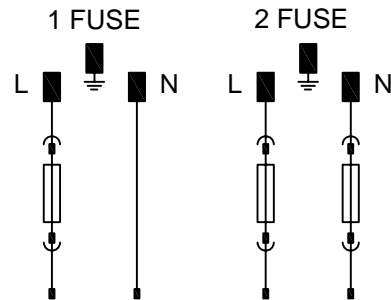
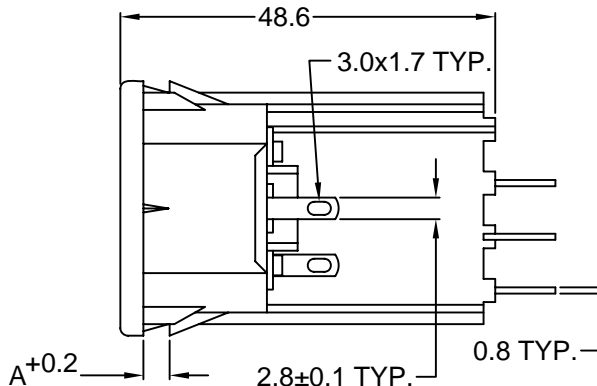
- 1) COLOR  
1 = BLACK  
2 = GRAY

**2) ELECTRICAL CIRCUIT CONFIGURATION**

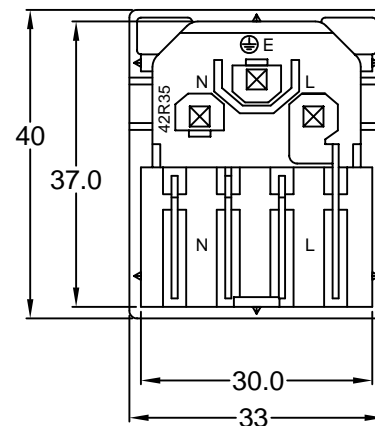
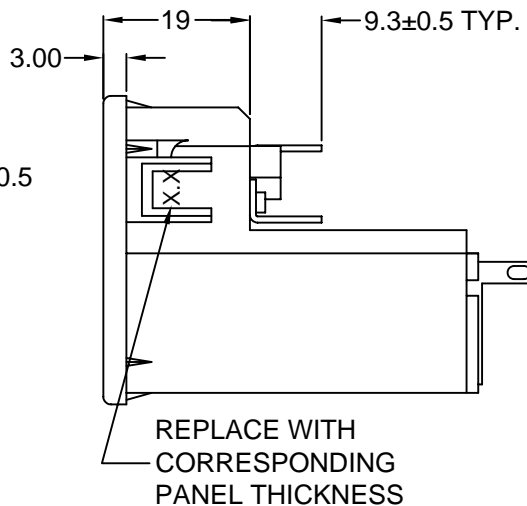
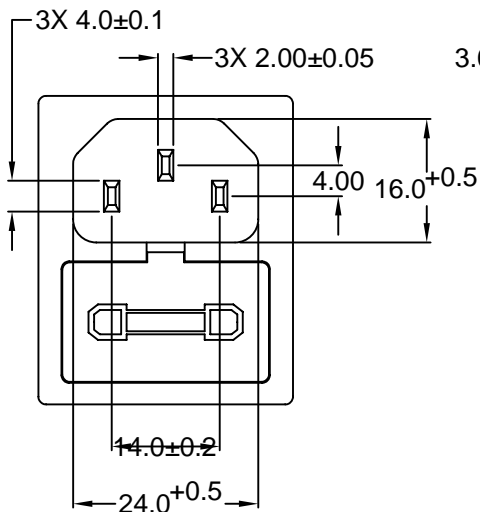
- 1 = 10A 250V 70°C  
2+GROUND 1 FUSE
- 2 = 10A 250V 70°C  
2+GROUND 2 FUSE
- 4 = 10A 250V 120°C  
2+GROUND 2 FUSE
- 5 = 10A 250V 70°C  
2 - 1 FUSE
- 6 = 10A 250V 70°C  
2 - 2 FUSE



RECOMMENDED PANEL CUTOUT



CIRCUIT



**3) PANEL THICKNESS**

P/N	A	MAX. PANEL THICKNESS
42R35-3X2X-150	1.5	1.5
42R35-3X2X-200	2.0	2.0

ADDITIONAL PANEL THICKNESS AVAILABLE ON REQUEST

RoHS COMPLIANT

TOLERANCE UNLESS OTHERWISE SPECIFIED	
X	± 1
X.X	± 0.4
X.XX	± 0.20
DRAWN BY	GQ
DATE:	09/18/01
CHECK BY	TD
DATE:	09/19/01
APPR BY	PB
DATE:	09/19/01

**Power Dynamics, Inc.**

Phone: 973 560-0019 Whippany, New Jersey Fax: 973 560-0076

PART: IEC 60320 COMBINATION FUSE HOLDER  
APPL. INLET, SOLDER TERMINALS; SNAP-IN

PART #: 42R35-3X2X-XXX		SHEET 1 of 1
SIZE: A	ALL DIMENSIONS FOR REFERENCE ONLY	
SCALE: NTS	DIMENSIONS ARE IN MILLIMETERS	
REV:		

REVISIONS	CHANGE	CHNG	CHK	APPR

D

C

B

A

6

5

4

3

2

1