

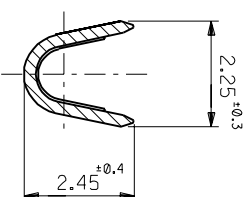
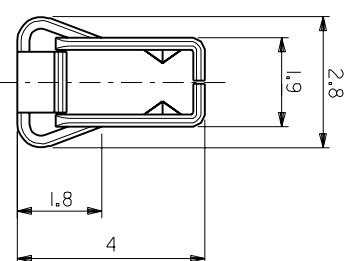
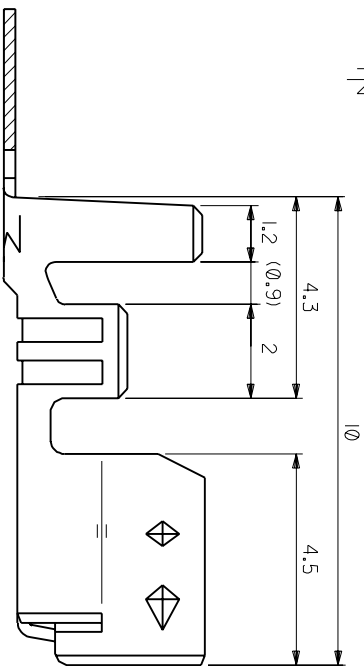
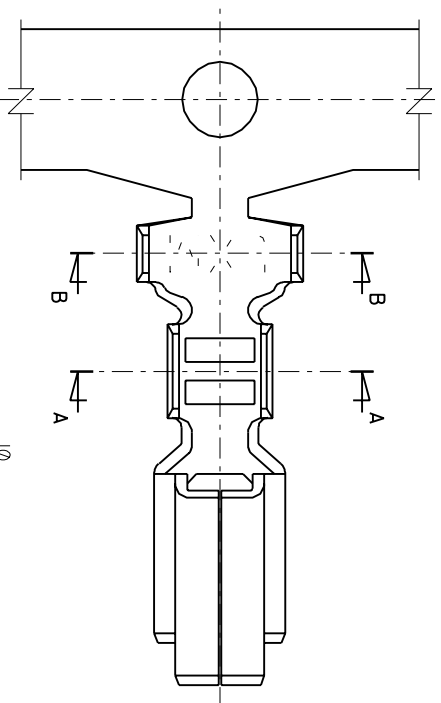
**注記 NOTES**  
 I. 適合ハウジング : 51144-\*\*00  
 APPLICABLE HOUSING : 51144-\*\*00

リン青銅, 錫メッキ PHOS. BRO. PRE-TINNED (t=0.254)	50539-8100	バラ状 Loose
	50539-8000	連鎖状 CHAIN
黄銅, 錫メッキ BRASS PRE-TINNED (t=0.254)	50539-9101	バラ状 Loose
	50539-9001	連鎖状 CHAIN
材 料 MATERIAL	MATERIAL NO.	端子形状 FORM

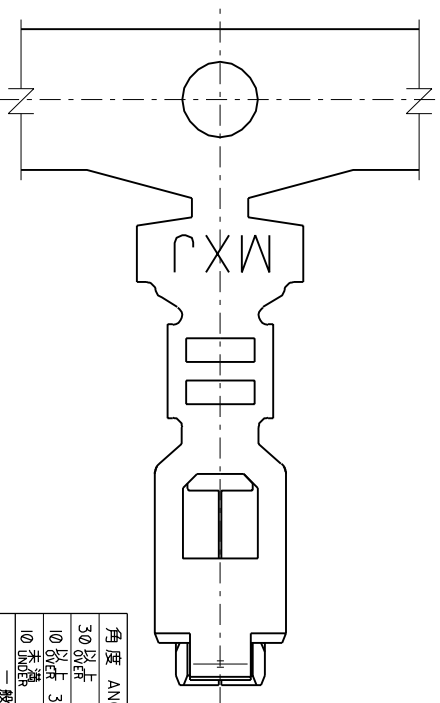
REVISED EC NO: J2005-4778 DRAWN: NABEI 2004/12/16 CHKD: KTOJO 2004/12/17 APPR: NUKITA 2004/12/23	GENERAL TOLERANCES (UNLESS SPECIFIED)		DIMENSION STYLE MM ONLY		SCALE ---	DESIGN UNITS METRIC	THIRD ANGLE PROJECTION	
	10 UNDER	±0.2	DRAWN BY TNIITSU	DATE '94/11/7	TITLE 3.96 WIRE TO BOARD CONN CRIMP RECEPTACLE			
	10 OVER 30 UNDER	±0.25	CHECKED BY SKUNISHI	DATE '95/07/28	APPROVED BY MFUKUSHIMA			
	30 OVER	±0.3	APPROVED BY MFUKUSHIMA		DATE '95/07/28	MATERIAL NO. SEE CHART		
ANGULAR ±3 °		DRAFT WHERE APPLICABLE MUST REMAIN WITHIN DIMENSIONS		MATERIAL NO. SEE CHART		DOCUMENT NO. SD-50539-****	SHEET NO. 1 OF 1	
SIZE A3		THIS DRAWING CONTAINS INFORMATION THAT IS PROPRIETARY TO MOLEX INCORPORATED AND SHOULD NOT BE USED WITHOUT WRITTEN PERMISSION						

DWG. NO.  
SD-50539-\*\*\*\*

MM DIMENSIONS IN METRIC DO NOT SCALE DRAWING



SECT. A-A



1/1 青銅・鍍金  
PHOS. BRO. PREP  
(1 ± 0.25)  
黄銅・鍍金  
BRASS PREP  
(1 ± 0.25)  
材 米  
MATERIAL

注記 NOTES  
1. 適合/不適合  
APPLIC.

角度	ANGLE	°
30 以上	±30	
10 以下	±0.3	
30 未満	±0.25	
10 未満	±0.2	

材料	MATERIAL	仕上げ	FINISH	適用電線範囲	WIRE RANGE	被覆外径	INS. RANGE
						φ1.4 ~ φ3	

一般公差  
GENERAL TOLERANCES

記号	記号	内容	DR. CHK. DATE
A	0	変更 (JIC00058) 新製作 (J40087)	95/1/27 94/1/17

DRAWN BY: 94/1/17  
CHK'D BY: 94/1/17  
APP'D BY: 95/1/28  
M.FUKUSHIMA  
SCALE

THIS DRAWING CONTAINS INFORMATION THAT IS PROPRIETARY TO MORGENTHAU AND SHOO  
本図面は日本モルソーテス(株)の所有する情報を含むもの。当社の許可なく複製をす

8

7

6

5

4

3

2

8

7

6

5

4

3

2