

**ebm-papst St. Georgen GmbH & Co. KG**

Hermann-Papst-Straße 1

D-78112 St. Georgen

Phone: +49(0)7724/81-0

Fax: +49(0)7724/81-1309

info2@de.ebmpapst.com

www.ebmpapst.com

**Nominal data**

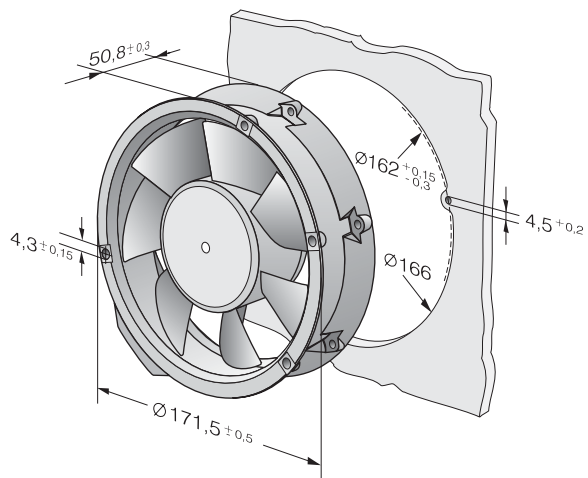
Type	6224 NTDA	
Nominal voltage	VDC	24
Nominal voltage range	VDC	16 .. 28
Speed	min <sup>-1</sup>	5100
Power input	W	50.0
Min. ambient temperature	°C	-20
Max. ambient temperature	°C	60
Air flow	m <sup>3</sup> /h	600
Sound power level	B	7.4
Sound pressure level	dB(A)	65

ml = max. load · me = max. efficiency · rfa = running at free air · cs = customer specs · cu = customer unit  
Subject to alterations

**Technical features**

<b>Dimensions</b>	172 Ø x 51 mm
<b>General description</b>	Very smooth running 3-phase fan drive. Very rigid compression curve for high air flow at high counterpressure. Electronic commutation completely integrated.
<b>Connection line</b>	Single strands AWG 22, TR 64, bared and tin-plated.
<b>Direction of rotation</b>	Left, looking at rotor, reversing the direction of rotation optional
<b>Direction of air flow</b>	Air exhaust over bars
<b>Note</b>	Only a customer-specific, custom-developed variant is available for this model. The data specified here are technically feasible benchmark values. The fans can be specially adapted to your application with signal outputs and control inputs.
<b>Bearing</b>	Ball bearings
<b>Lifetime L10 at 40 °C</b>	70000 h
<b>Mass</b>	0.820 kg
<b>Housing material</b>	Aluminum. Housing with grounding lug for screw M4 x 8 (TORX).
<b>Material of impeller</b>	Fiberglass-reinforced PA plastic
<b>Motor protection</b>	Protected against reverse polarity and locking.
<b>Approval</b>	VDE, CSA, UL, CE

## Product drawing



## Charts: Air flow

