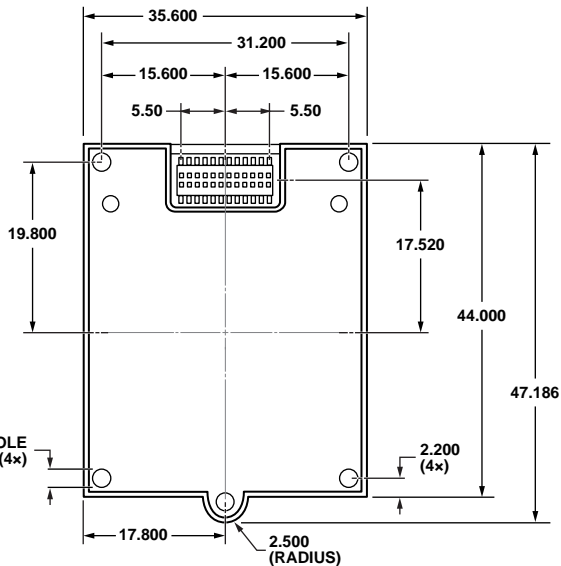
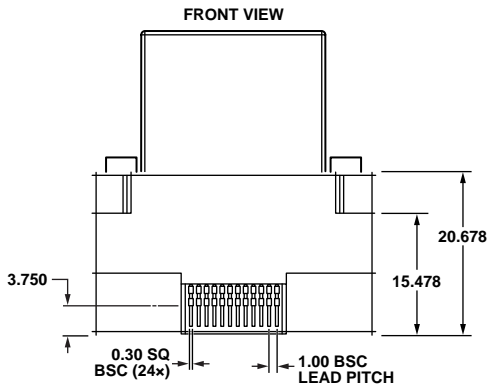


**24-Lead Module with Connector Interface.
(ML-24-5)**

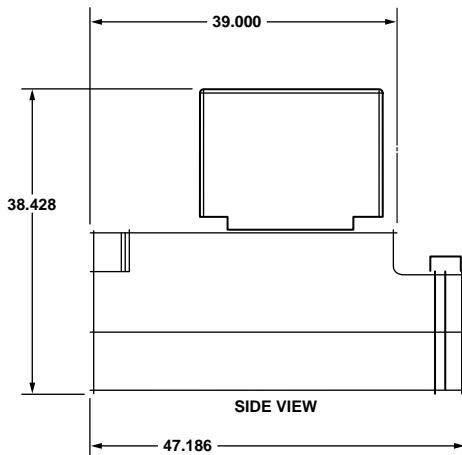
Dimensions shown in millimeters.



BOTTOM VIEW



FRONT VIEW



SIDE VIEW

