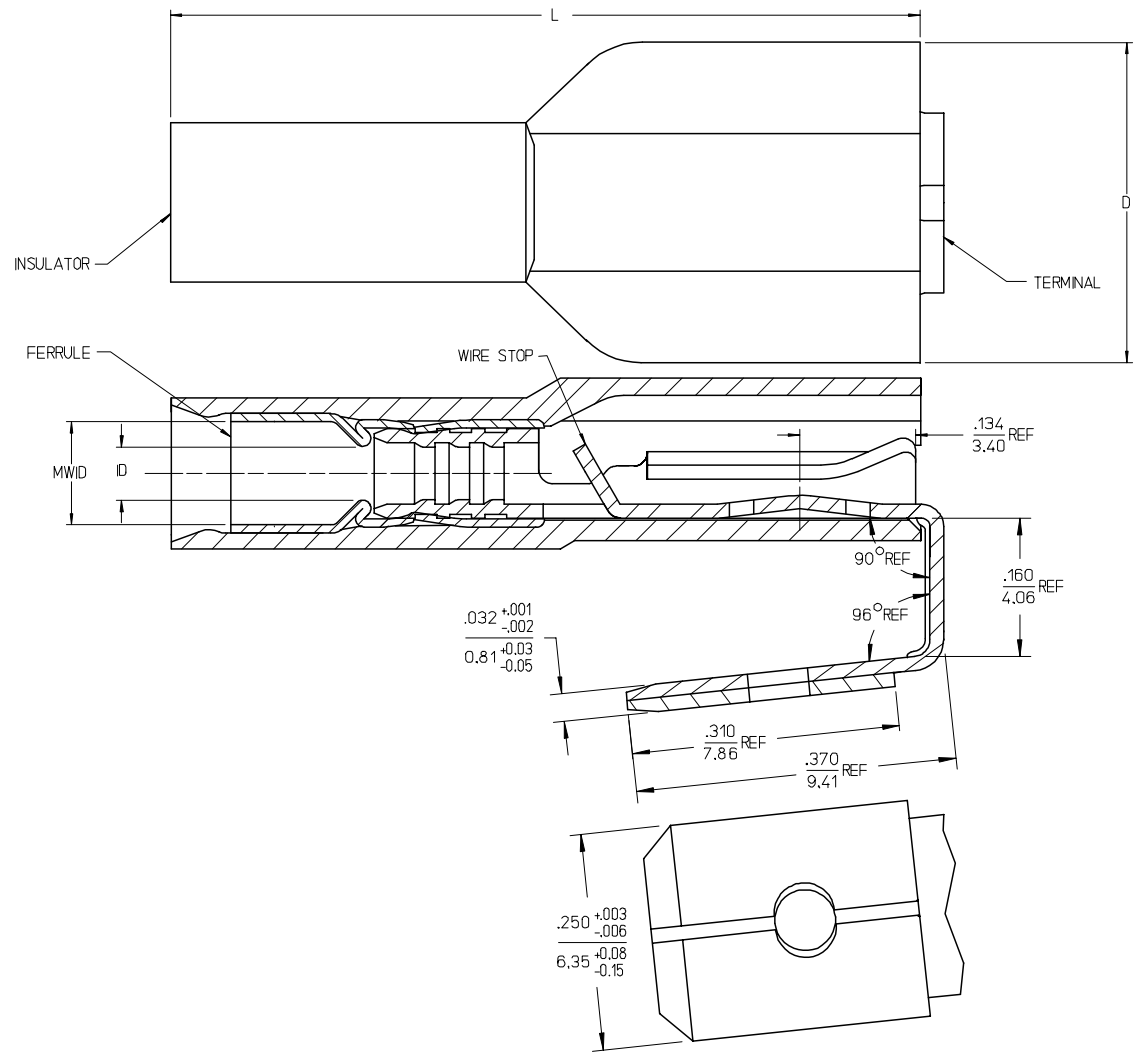


13	12	11	10	9	8	7	6	5	4	3	2	1
MATERIAL NO. LOOSE PC	ENGINEERING NO. LOOSE PC	MATERIAL NO. ON TAPE	ENGINEERING NO. ON TAPE	WIRE SIZE	INSULATOR COLOR	ID MIN REF	MWD	D MAX	L MAX			
196020004	19602-0004	196020010	19602-0010	22-18 AWG	RED	.0575/1.480	.116/2.95	.380/9.65	.880/22.35			
196020005	19602-0005	196020011	19602-0011	16-14 AWG	BLUE	.082/2.08	.139/3.53	.380/9.65	.880/22.35			
196020006	19602-0006	196020012	19602-0012	12-10 AWG	YELLOW	.144/3.66	.231/5.87	.380/9.65	1.020/25.91			



- NOTES:
1. TERMINAL MATERIAL: BRASS
  2. TERMINAL FINISH: TIN PLATED
  3. INSULATOR MATERIAL: NYLON
  4. FERRULE MATERIAL: BRASS
  5. FERRULE FINISH: TIN PLATED
  6. MWD = MAXIMUM WIRE INSULATION DIAMETER.
  7. ASSEMBLY IS ROHS COMPLIANT.

<b>REDRAWN &amp; REVISED</b> EC NO: ETC2007-0259 DRAWN BY: DRW:NEHLE 2007/02/28 CHKD: JMACNEIL 2007/03/05 APPR: JMACNEIL 2007/03/05 REVISIONS:	QUALITY SYMBOLS	GENERAL TOLERANCES (UNLESS SPECIFIED)	DIMENSION STYLE	SCALE	DESIGN UNITS	THIRD ANGLE PROJECTION																		
	$\nabla=0$ $\nabla=0$	<table border="1"> <tr> <th></th> <th>mm</th> <th>INCH</th> </tr> <tr> <td>4 PLACES</td> <td>± ---</td> <td>± ---</td> </tr> <tr> <td>3 PLACES</td> <td>± ---</td> <td>± ---</td> </tr> <tr> <td>2 PLACES</td> <td>± ---</td> <td>± ---</td> </tr> <tr> <td>1 PLACE</td> <td>± ---</td> <td>± ---</td> </tr> <tr> <td colspan="3">ANGULAR ± --- °</td> </tr> </table>		mm	INCH	4 PLACES	± ---	± ---	3 PLACES	± ---	± ---	2 PLACES	± ---	± ---	1 PLACE	± ---	± ---	ANGULAR ± --- °			IN/MM	10:1	INCH	
		mm	INCH																					
	4 PLACES	± ---	± ---																					
3 PLACES	± ---	± ---																						
2 PLACES	± ---	± ---																						
1 PLACE	± ---	± ---																						
ANGULAR ± --- °																								
DESCRIPTION	DRAWN BY	DATE	TITLE	<b>MOLEX INCORPORATED</b> PIGGYBACK FIOD, .250 X .032 TAB, AVIKRIMP																				
	CHECKED BY	DATE		MATERIAL NO.	DOCUMENT NO.	SHEET NO.																		
	APPROVED BY	DATE		SEE CHART	SD-19602-001	1 OF 1																		
	DRAFT WHERE APPLICABLE MUST REMAIN WITHIN DIMENSIONS			THIS DRAWING CONTAINS INFORMATION THAT IS PROPRIETARY TO MOLEX INCORPORATED AND SHOULD NOT BE USED WITHOUT WRITTEN PERMISSION																				