

**PLEASE CHECK WWW.MOLEX.COM FOR LATEST PART INFORMATION**

**Part Number:** [0353632060](#)  
**Status:** **Active**  
**Overview:** [sherlock](#)  
**Description:** 2.00mm (.079") Pitch Sherlock™ Wire-to-Board Header, Right Angle, with Positive Lock, 20 Circuits, Lead-free

**Documents:**

[3D Model](#) [Product Specification PS-35507-003 \(PDF\)](#)  
[Drawing \(PDF\)](#) [RoHS Certificate of Compliance \(PDF\)](#)

**General**

Product Family	PCB Headers
Series	<a href="#">35363</a>
Application	Wire-to-Board
Overview	<a href="#">sherlock</a>
Product Name	Sherlock™

**Physical**

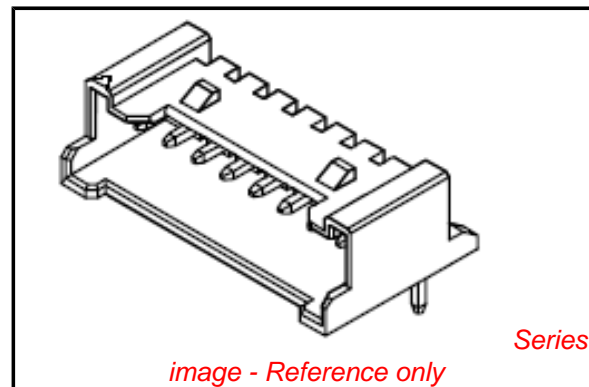
Breakaway	No
Circuits (Loaded)	20
Circuits (maximum)	20
Color - Resin	Natural
Durability (mating cycles max)	30
First Mate / Last Break	No
Glow-Wire Compliant	No
Guide to Mating Part	No
Keying to Mating Part	None
Lock to Mating Part	Yes
Material - Plating Mating	Tin
Material - Plating Termination	Tin
Material - Resin	Nylon
Number of Rows	1
Orientation	Right Angle
PC Tail Length (in)	0.126 In
PC Tail Length (mm)	3.20 mm
PCB Locator	No
PCB Retention	Yes
PCB Thickness Recommended (in)	0.062 In
PCB Thickness Recommended (mm)	1.60 mm
Packaging Type	Bag
Pitch - Mating Interface (in)	0.079 In
Pitch - Mating Interface (mm)	2.00 mm
Polarized to Mating Part	Yes
Polarized to PCB	No
Shrouded	Partial
Stackable	No
Surface Mount Compatible (SMC)	No
Temperature Range - Operating	-40°C to +105°C
Termination Interface: Style	Through Hole

**Electrical**

Current - Maximum per Contact	2A
Voltage - Maximum	125V

**Material Info**

**Reference - Drawing Numbers**



**EU RoHS**

**ELV and RoHS Compliant**  
**REACH SVHC**  
 Not Reviewed  
**Halogen-Free Status**

**China RoHS**



**Need more information on product environmental compliance?**

Email [productcompliance@molex.com](mailto:productcompliance@molex.com)  
 For a multiple part number RoHS Certificate of Compliance, [click here](#)

Please visit the [Contact Us](#) section for any non-product compliance questions.

**Search Parts in this Series**

[35363Series](#)

**Mates With**

[35507 Sherlock™ Wire-to-Board Housing](#)

Packaging Specification  
Product Specification

Sales Drawing

PK-35363-002  
PS-35507-003, RPS-35507-005, RPS-35507-007,  
RPS-35507-009, RPS-35507-010, RPS-35507-011  
SD-35363-002

This document was generated on 05/24/2010

**PLEASE CHECK [WWW.MOLEX.COM](http://WWW.MOLEX.COM) FOR LATEST PART INFORMATION**

LEAD FREE

DWG. NO. SD-35363-002

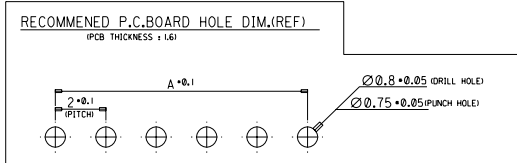
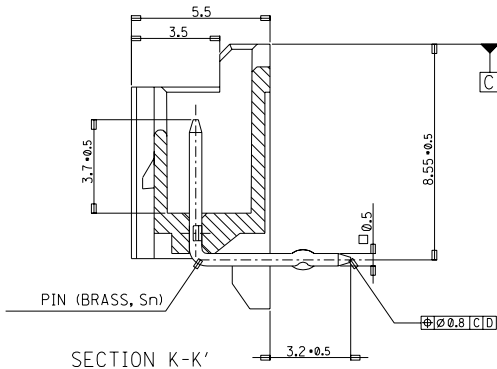
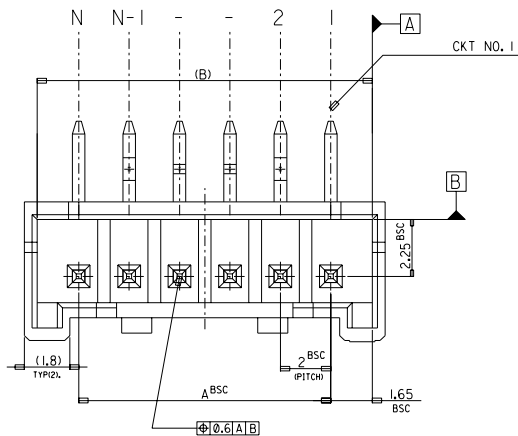
SIMILAR ITEM

PROJECT NO.

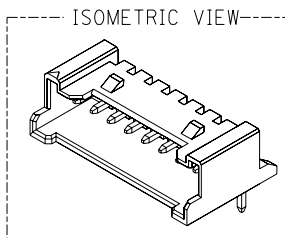
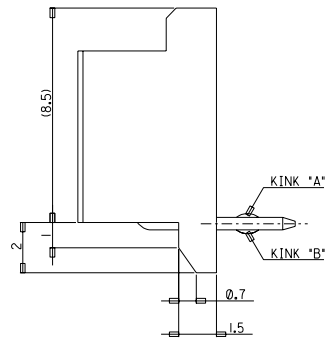
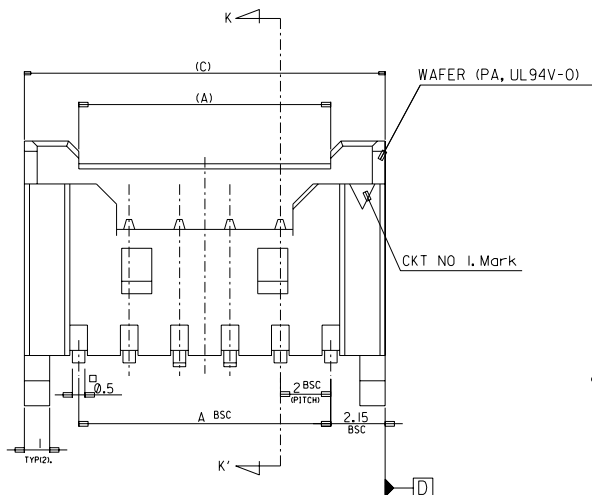
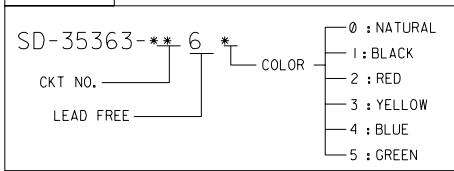
C

B

DO NOT SCALE DRAWING  
DIMENSION IN METRIC



LEGEND



32.3	31.3	28	-156*	-156*	15
30.3	29.3	26	-146*	-146*	14
28.3	27.3	24	-136*	-136*	13
26.3	25.3	22	-126*	-126*	12
24.3	23.3	20	-116*	-116*	11
22.3	21.3	18	-106*	-106*	10
20.3	19.3	16	-096*	-096*	9
18.3	17.3	14	-086*	-086*	8
16.3	15.3	12	-076*	-076*	7
14.3	13.3	10	-066*	-066*	6
12.3	12.3	8	-056*	-056*	5
10.3	9.3	6	35363046*	35363-046*	4
(C)	(B)	A	MATERIAL NO.	ENG. NO.	CKT

- NOTES
- MATERIAL : WAFER : POLYAMIDE(PA), NO GLASS, UL94V-0  
PIN : BRASS
  - FINISHES : TERMINAL : Sn 2\*3um OVERALL
  - PRODUCT SPECIFICATION : PS-35507-003
  - MATING HOUSING : 35507-\*\*-0\*  
MATING TERMINAL : 50212-8000
  - KINK

CKT NO	1	2	3	4	5	N-2	N-1	N
6 CKT OVER	-	A	B	-	-	B	A	-
5 CKT	A	B	-	B	A			
4 CKT	A	B	B	A				

30 over	±0.3
10 over 30 under	±0.25
10 under	±0.2
ANGLE	±3°
GENERAL TOLERANCE	A

Release	KOR2004-037
EC NO.	KOR2004-037
DRWN:	YSOOKIM 04/02/24
CHK:	JKOH
APPR:	CWLEE
DESCRIPTION	
REV	A

MAJOR	QUALITY SYMBOLS
CRITICAL	

GENERAL TOLERANCES: (UNLESS SPECIFIED)	SCALE 1:1	DESIGN UNITS
4 PLACES ±0. mm ±. INCH	THIRD ANGLE PROJECTION	mm INCH
3 PLACES ±0. mm ±. INCH		
2 PLACES ±0. mm ±. INCH		
1 PLACE ±0. mm ±. INCH		
ANGULAR: ±		
DRAFT WHERE APPLICABLE MUST REMAIN WITHIN DIMENSIONS		

DRAWN BY & DATE	YSOOKIM 96/09/11
CHECKED BY & DATE	J.K.Oh 96/09/11
APPROVED BY & DATE	C.W.Lee 96/09/11
CAD FILENAME	SD35363-002S1.DGN

TITLE:	NEW 2.0 W/B CONN WAFER ASSY (R/A) (LEAD FREE)
MATERIAL NO.	SEE NOTE
DRAWING NO.	SD-35363-002
SHEET NO.	1 OF 3
THIS DRAWING CONTAINS INFORMATION THAT IS PROPRIETARY TO MOLEX INCORPORATED AND SHOULD NOT BE USED WITHOUT WRITTEN PERMISSION.	
MOLEX INCORPORATED	

A

B

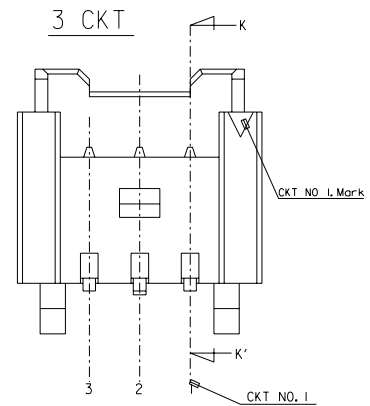
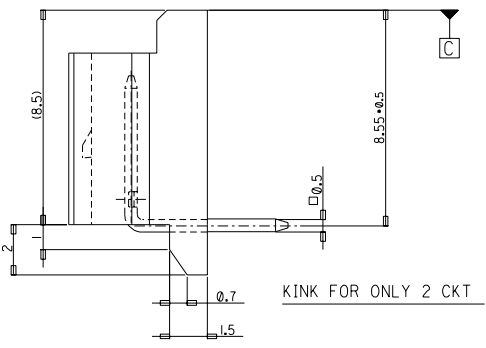
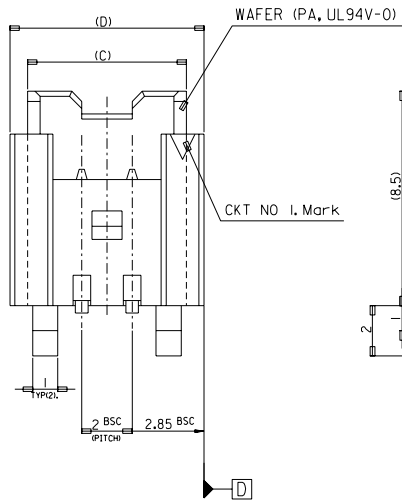
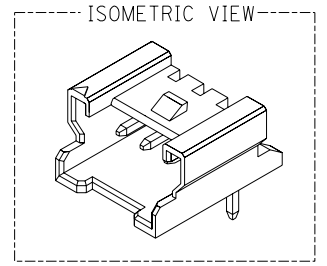
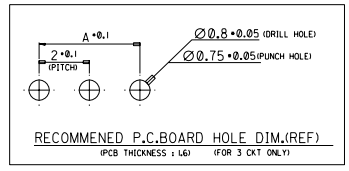
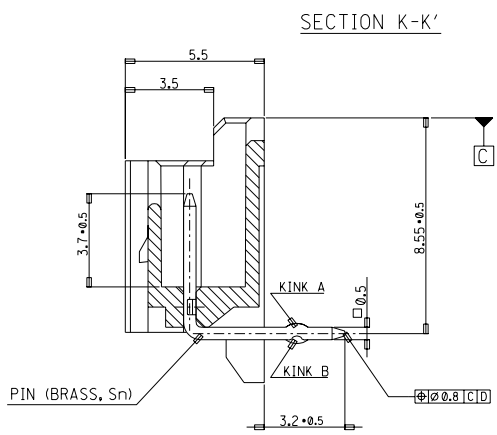
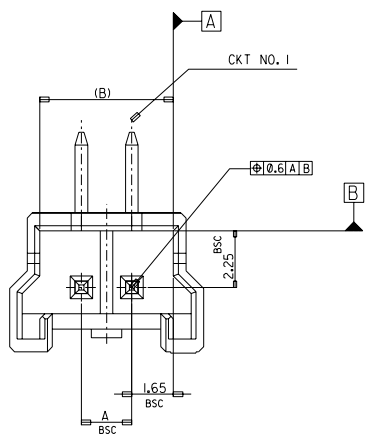
MX-A3

DWG. NO. SD-35363-002  
 SIMILAR ITEM  
 PROJECT NO.  
 C  
 B  
 DO NOT SCALE DRAWING DIMENSION IN METRIC

8 7 6 5 4 3 2

LEAD FREE

FOR 2 & 3 CKTS.



**LEGEND**

SD-35363-\*\*\*6\* COLOR

- 0 : NATURAL
- 1 : BLACK
- 2 : RED
- 3 : YELLOW
- 4 : BLUE
- 5 : GREEN

9.7	8.3	7.3	4	35363036*	-036*	3
7.7	6.3	5.3	2	35363026*	35363-026*	2
(D)	(C)	(B)	A	MATERIAL NO.	ENG. NO.	CKT

- NOTES**
- MATERIAL : WAFER : POLYAMIDE(PA), NO GLASS, UL94V-0  
PIN : BRASS
  - FINISHES : TERMINAL : Sn 2+3um OVERALL
  - PRODUCT SPECIFICATION : PS-35507-003
  - MATING HOUSING : 35507-\*\*\*0\*  
MATING TERMINAL : 50212-8000
  - KINK

CKT NO	1	2	3
2 CKT	NONE	KINK	
3 CKT	A	B	A

30 over	+0.3
10 over 30 under	±0.25
10 under	±0.2
ANGLE	±3°
GENERAL TOLERANCE	

Release  
 EC NO. KOR2004-0137  
 DRWN: YSOOKIM 04/02/24  
 CHK: JKOH  
 APPR: CWLEE

MAJOR  
 CRITICAL

DESCRIPTION

REV

QUALITY SYMBOLS

GENERAL TOLERANCES: (UNLESS SPECIFIED)

	mm	INCH
4 PLACES	±0.	±.
3 PLACES	±0.	±.
2 PLACES	±0.	±.
1 PLACE	±0.	±.

ANGULAR: ±

DRAFT WHERE APPLICABLE MUST REMAIN WITHIN DIMENSIONS

SCALE 1:1

DESIGN UNITS  mm  INCH

THIRD ANGLE PROJECTION

DIMENSIONS:  mm  INCH  mm ONLY

SHT REV

REVISE ON CAD ONLY

DRAWN BY & DATE  
YSOOKIM 96/09/11

CHECKED BY & DATE  
J.K.Oh 96/09/11

APPROVED BY & DATE  
C.W.Lee 96/09/11

CAD FILENAME  
SD35363-001S2.DGN

TITLE:  
NEW 2.0 W/B CONN  
WAFER ASSY (R/A) (LEAD FREE)

MATERIAL NO. SEE NOTE

DRAWING NO. SD-35363-002

SHEET NO. 2 OF 3

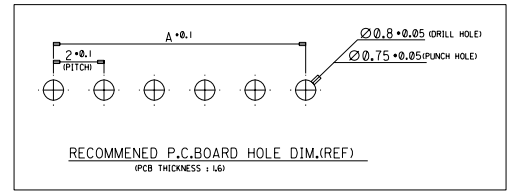
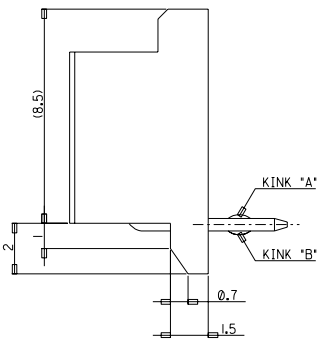
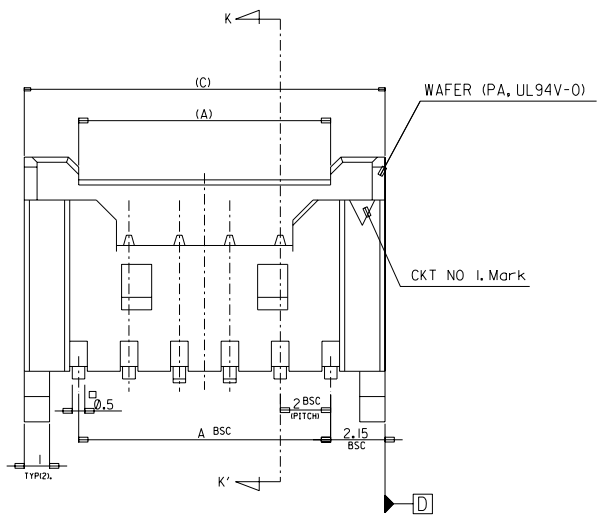
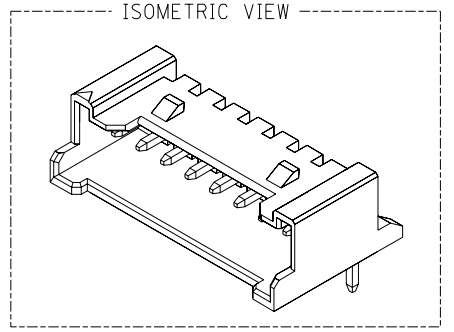
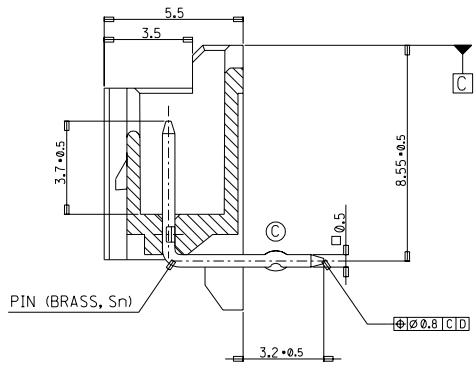
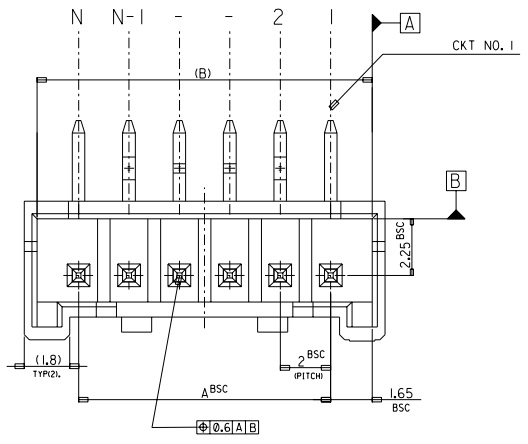
THIS DRAWING CONTAINS INFORMATION THAT IS PROPRIETARY TO MOLEX INCORPORATED AND SHOULD NOT BE USED WITHOUT WRITTEN PERMISSION.

MOLEX MOLEX INCORPORATED

SIZE B

8 7 6 5 4 3 2 MX-A3

LEAD FREE



LEGEND	
SD-35363-**-**	6 * COLOR
CTCT NO.	6
LEAD FREE	
	0 : NATURAL
	1 : BLACK
	2 : RED
	3 : YELLOW
	4 : BLUE
	5 : GREEN

42.3	41.3	38	35363206*	35363-206*	20
(C)	(B)	A	MATERIAL NO.	ENG. NO.	CKT

- NOTES
- MATERIAL : WAFER : POLYAMIDE(PA), NO GLASS, UL94V-0  
PIN : BRASS
  - FINISHES : TERMINAL : Sn 2±3um OVERALL
  - PRODUCT SPECIFICATION : PS-35507-003
  - MATING HOUSING : 35507-\*\*-0\*  
MATING TERMINAL : 50212-8000
  - KINK

CKT	CKT NO	1	2	3	4	N-3	N-2	N-1	N
20	-	A	B	-	-	B	A	-	-

30 over	±0.3
10 over 30 under	±0.25
10 under	±0.2
ANGLE	±3°
GENERAL TOLERANCE	

Release	EC NO.	MAJOR	QUALITY SYMBOLS
KOR2004-0137		CRITICAL	
DRWN: YSOOKIM 04/02/24			
CHK: JKOH			
APPR: CWLEE			
REV	A		

GENERAL TOLERANCES: (UNLESS SPECIFIED)	
mm	INCH
4 PLACES	±.
3 PLACES	±.
2 PLACES	±.
1 PLACE	±.
ANGULAR: ±	
DRAFT WHERE APPLICABLE MUST REMAIN WITHIN DIMENSIONS	

SCALE 1:1	DESIGN UNITS
<input checked="" type="checkbox"/> mm <input type="checkbox"/> INCH	<input checked="" type="checkbox"/> mm <input type="checkbox"/> INCH
DRAWN BY & DATE	
Y.SOOKIM 98/04/23	
CHECKED BY & DATE	
J.K.Oh 98/04/23	
APPROVED BY & DATE	
C.W.Lee 98/04/23	
CAD FILENAME	
SD35363-002S3.DGN	

DIMENSIONS:		SHT	REV
<input type="checkbox"/> mm <input type="checkbox"/> INCH	<input type="checkbox"/> mm <input checked="" type="checkbox"/> INCH ONLY		
THIRD ANGLE PROJECTION		REVISE ON CAD ONLY	
TITLE:		NEW 2.0 W/B CONN	
WAFFER ASSY (R/A) (LEAD FREE)			
MOLEX INCORPORATED			
CAD FILENAME	MATERIAL NO.	DRAWING NO.	SHEET NO.
SD35363-002S3.DGN	SEE NOTE	SD-35363-002	3 OF 3
THIS DRAWING CONTAINS INFORMATION THAT IS PROPRIETARY TO MOLEX INCORPORATED AND SHOULD NOT BE USED WITHOUT WRITTEN PERMISSION.			SIZE B

DO NOT SCALE DRAWING DIMENSION IN METRIC

PROJECT NO. SIMILAR ITEM DWG. NO. SD-35363-002

F B C A B A