

FEATURES AND SPECIFICATIONS

Features and Benefits

- Sizes 2 to 12 circuits
- For topcoated ribbon cable
- Wire range: 24 to 26 AWG
- Insulation diameter: 1.70mm max.
- Strip length: 6.00mm

Reference Information

Packaging: Tray
 UL File No.: E29179
 Designed In: Millimeters

Electrical

Voltage: 150V
 Current: 3.0A
 Contact Resistance: 20mΩ max.
 Dielectric Withstanding Voltage: 500V AC/1 min.
 Insulation Resistance: 1000 MΩ min.

Mechanical

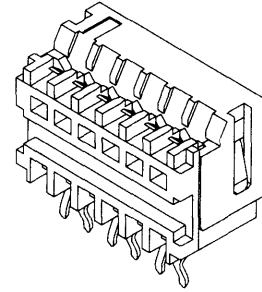
Wire Insertion Force: 0.5kgf max. (4.9N)
 Wire Retention Force: 1.0kgf min. (9.8N)

Physical

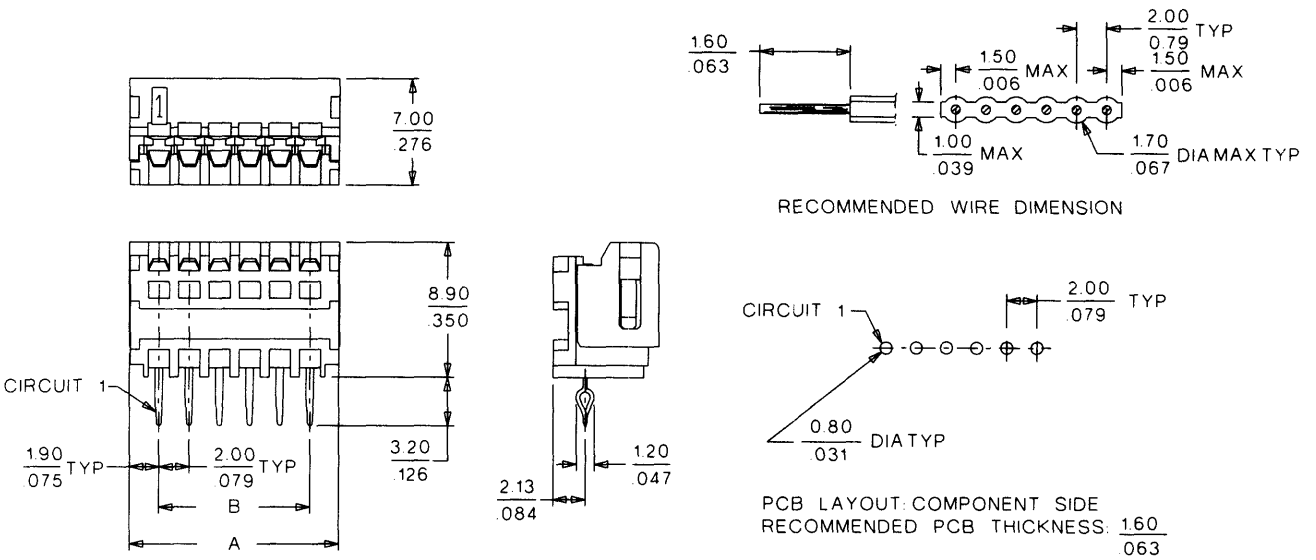
Housing: Glass-filled PBTP, UL 94V-0
 Contact: Phosphor Bronze
 Plating: Tin
 Operating Temperature: -40 to +105°C

molex® 2.00mm (.079") Pitch Wire Trap

52007 Push-Cover Style Vertical



CATALOG DRAWING (FOR REFERENCE ONLY)



ORDERING INFORMATION AND DIMENSIONS

Circuits	Order No.	Dimension	
		A	B
2	52007-0210	5.80 (.228)	2.00 (.079)
3	52007-0310	7.80 (.307)	4.00 (.157)
4	52007-0410	9.80 (.386)	6.00 (.236)
5	52007-0510	11.80 (.464)	8.00 (.315)
6	52007-0610	13.80 (.543)	10.00 (.393)
7	52007-0710	15.80 (.622)	12.00 (.472)
8	52007-0810	17.80 (.701)	14.00 (.551)
9	52007-0910	19.80 (.780)	16.00 (.630)
10	52007-1010	21.80 (.858)	18.00 (.709)
11	52007-1110	23.80 (.937)	20.00 (.787)
12	52007-1210	25.80 (1.016)	22.00 (.866)

Note: All PC tails kinked opposite ways except two-circuit version which is kinked in the same direction