

**ebm-papst St. Georgen GmbH & Co. KG**

Hermann-Papst-Straße 1

D-78112 St. Georgen

Phone: +49(0)7724/81-0

Fax: +49(0)7724/81-1309

info2@de.ebmpapst.com

www.ebmpapst.com

**Nominal data**

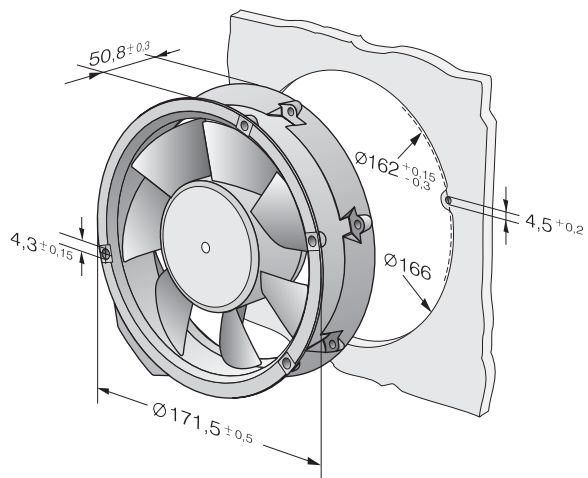
Type	6248 NTDP	
Nominal voltage	VDC	48
Nominal voltage range	VDC	40 .. 55
Speed	min <sup>-1</sup>	5100
Power input	W	50.0
Min. ambient temperature	°C	-20
Max. ambient temperature	°C	60
Air flow	m <sup>3</sup> /h	600
Sound power level	B	7.4
Sound pressure level	dB(A)	65

ml = max. load · me = max. efficiency · rfa = running at free air · cs = customer specs · cu = customer unit  
Subject to alterations

**Technical features**

<b>Dimensions</b>	172 Ø x 51 mm
<b>General description</b>	Particularly powerful DC fan with 3-phase EC drive and completely integrated operating electronics. For speed control regardless of load, with highly intelligent motor management and with power and speed reserves that create brand-new areas of application Speed setting via pulse width modulated (PWM) signal
<b>Connection line</b>	Connection with wire strands. Housing with grounding lug for screw M4 x 8 (TORX), with screws.
<b>Direction of rotation</b>	Left, looking at rotor, direction of rotation reversible
<b>Direction of air flow</b>	Air exhaust over bars
<b>Note</b>	Only a customer-specific, custom-developed variant is available for this model. The data specified here are technically feasible benchmark values. The fans can be specially adapted to your application with signal outputs and control inputs.
<b>Bearing</b>	Ball bearings
<b>Lifetime L10 at 40 °C</b>	70000 h
<b>Mass</b>	0.820 kg
<b>Housing material</b>	Metal
<b>Material of impeller</b>	Fiberglass-reinforced PA plastic
<b>Approval</b>	VDE, CSA, UL, CE

## Product drawing



## Charts: Air flow

