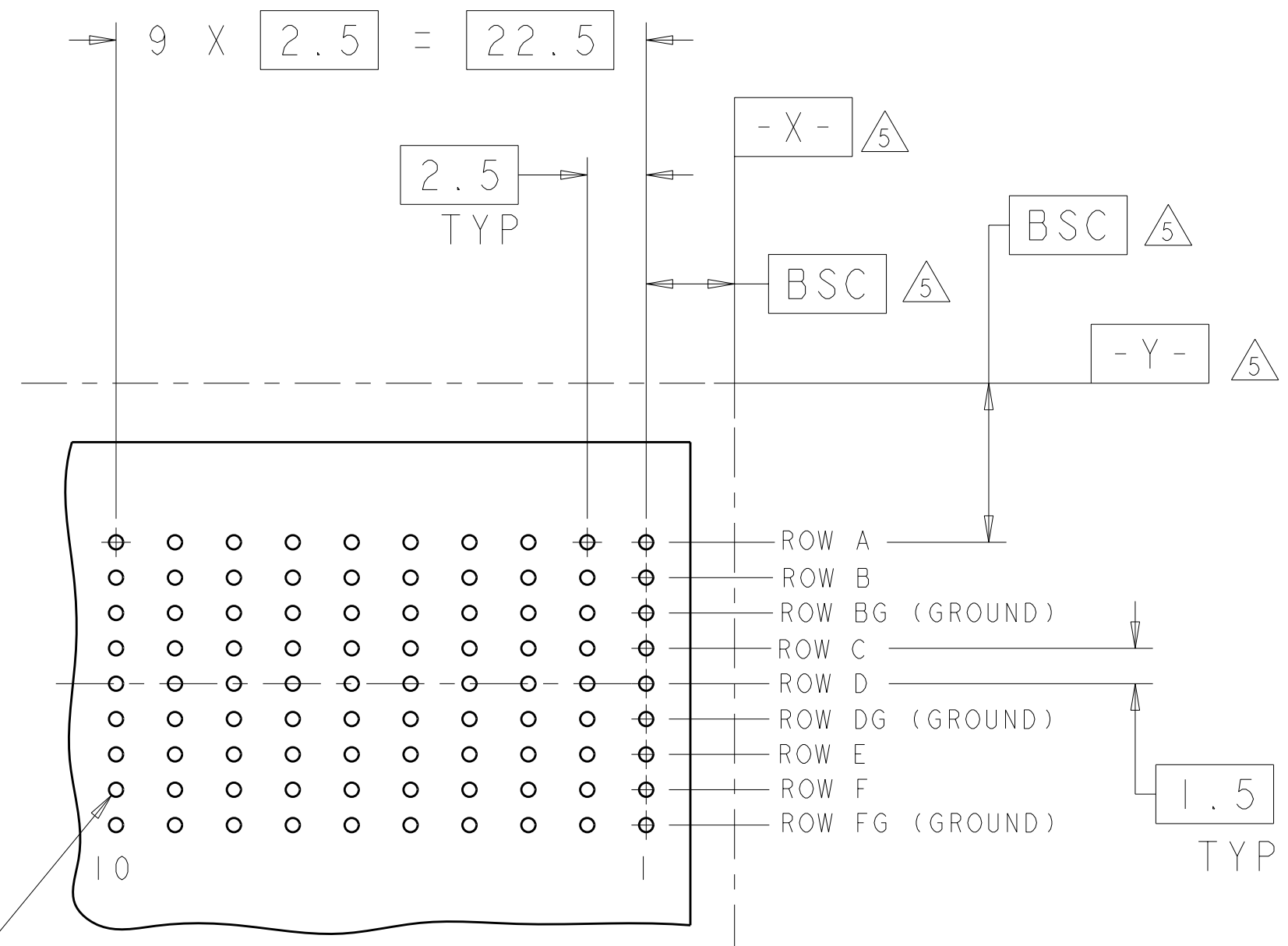
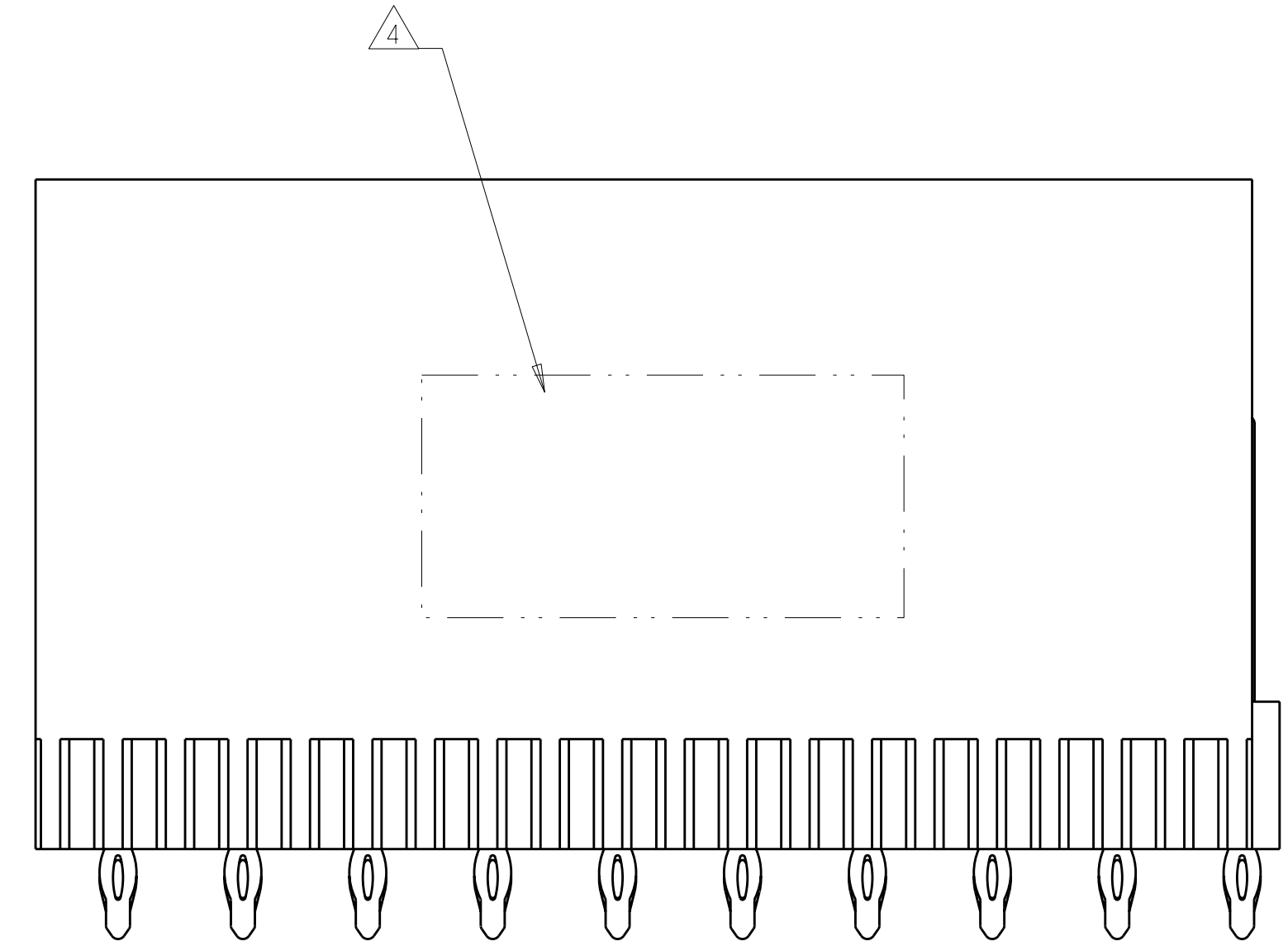
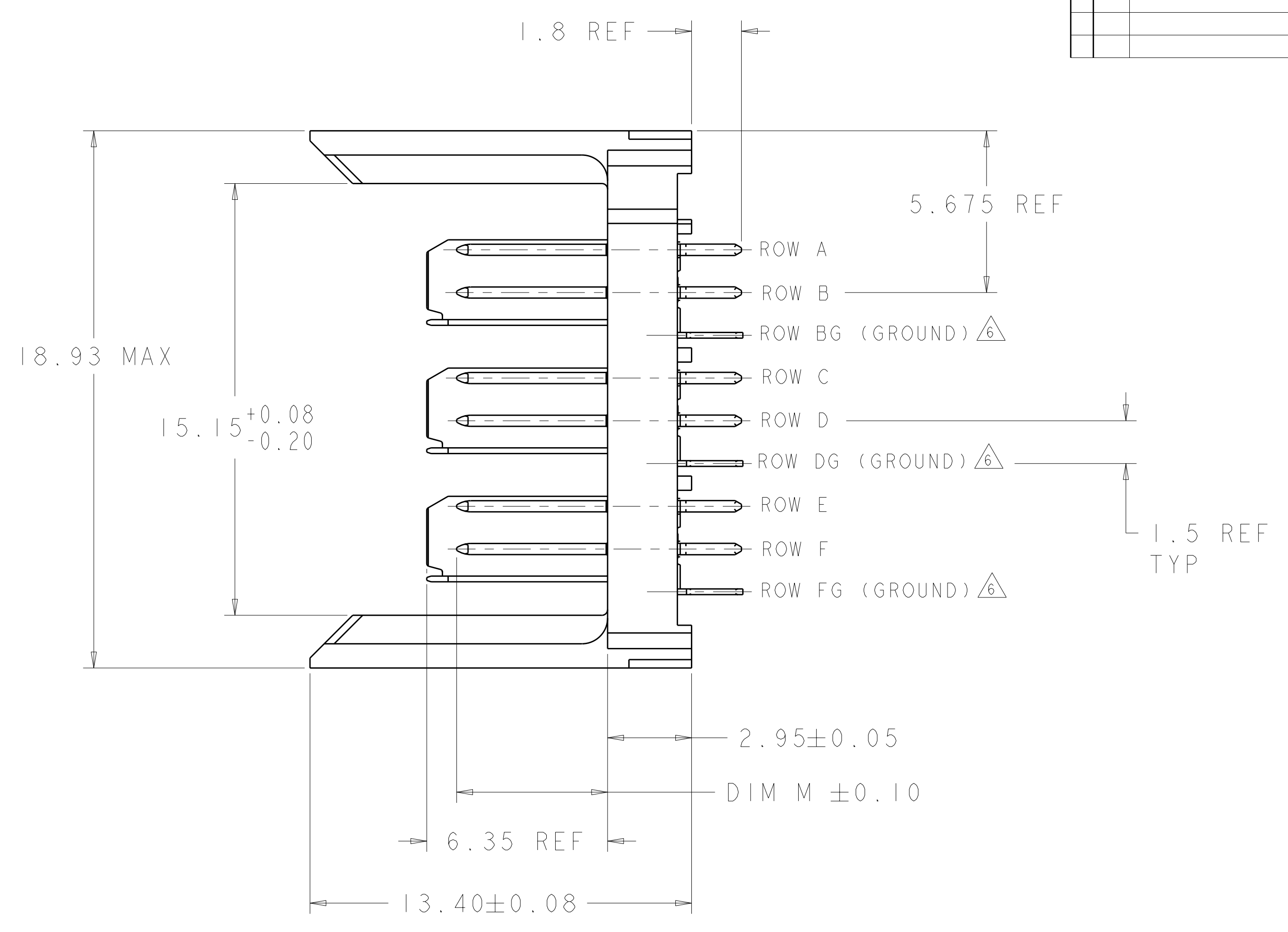
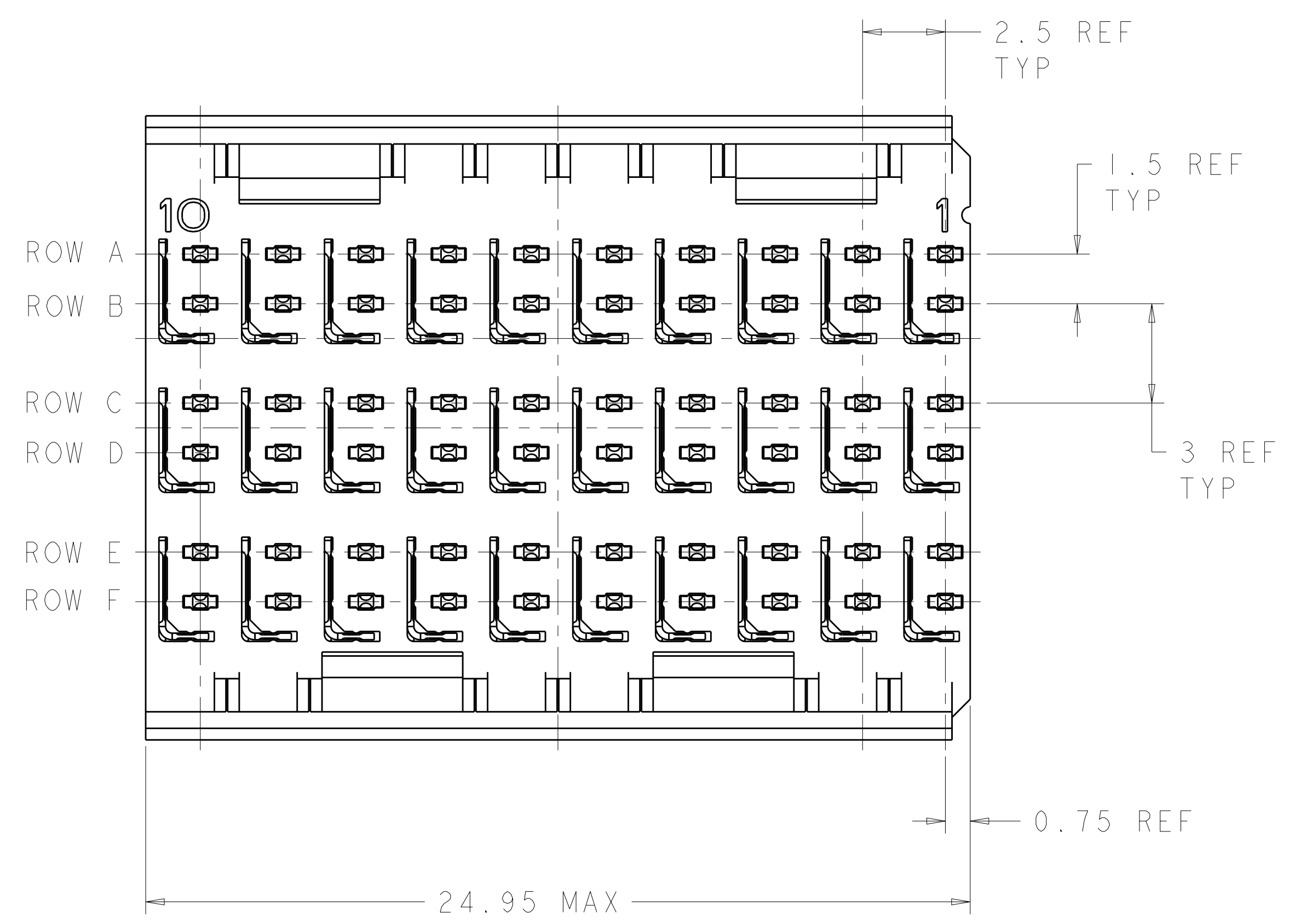


LOC		DIST		REVISIONS			
AD	00	REV	DATE	BY	CHK	APPD	
B			17JAN12	KH	DY		
		DESCRIPTION		DATE		DWN	
		REVISED PER ECO-12-000118		17JAN12		DY	



⊕ | Ø0.05 | X | Y  
 ALL PLATED THRU HOLES

RECOMMENDED PC BOARD LAYOUT, BACKPLANE, COMPONENT SIDE SHOWN  
 SCALE 4:1

- 1 REFERENCE APPLICATION SPEC 114-13059 FOR RECOMMENDED PLATED THRU HOLE DIAMETER AND PLATING THICKNESSES.
- 2 MATERIAL:  
 CONTACT AND SHIELD - PHOSPHOR BRONZE  
 HOUSING - GLASS FILLED POLYESTER, UL 94V-0.
- 3 FINISH: SIGNAL AND GROUND CONTACTS:  
 MATING AREA: MEETS THE PERFORMANCE REQUIREMENTS OF PRODUCT SPECIFICATION 108-2055; BASED ON TELCORDIA GR-1217-CORE, APPLICATIONS IN UNCONTROLLED ENVIRONMENTS  
 COMPLIANT PIN AREA: 0.5 µm MIN MATTE TIN OVER BASE PLATING
- 4 CONNECTOR MARKED WITH PART NUMBER AND DATE CODE.
- 5 DATUMS AND BASIC DIMENSIONS ESTABLISHED BY CUSTOMER.
- 6 THE THREE GROUNDS IN EACH COLUMN ARE COMMONED.
- 7. CONTACT AREA LUBRICATED WITH BELLCORE APPROVED LUBRICANT. TECHNICAL REFERENCE: GR-1217-CORE, ISSUE 1, NOVEMBER 1995.
- 8 OBSOLETE PARTS: OBSOLETE CIS STREAMLINING PER D.RENAUD/D.SINIS1

⊗	OBsolete	3.80	6469085-2
		5.30	6469085-1
		DIM M	PART NUMBER

THIS DRAWING IS A CONTROLLED DOCUMENT.		DWN	S. J. MAGARO	28JUN2004
DIMENSIONS:		CHK	R. A. PATTERSON	28JUN2004
mm	TOLERANCES UNLESS OTHERWISE SPECIFIED:	APVD	R. PATTERSON	17AUG2007
⊕	9 PLC ±	PRODUCT SPEC		
⊖	1 PLC ±	APPLICATION SPEC		
⊗	3 PLC ±	WEIGHT		
⊘	4 PLC ±	CUSTOMER DRAWING		
∠	ANGLES ±	SCALE	8:1	SHEET 1 OF 1
∠	FINISH ±	REV	B	



NAME: HEADER ASSEMBLY, 3 PAIR, 1.8mm TAIL, 25mm, HMZd

SIZE: A100779 C=6469085