

**PLEASE CHECK WWW.MOLEX.COM FOR LATEST PART INFORMATION**

**Part Number:** [0014450614](#)  
**Status:** **Active**  
**Overview:** [cgrid\\_sl\\_products](#)  
**Description:** 2.54mm (.100") Pitch SL™ Insulation Displacement Connector Assembly, Male, Single Row, Version D, Back Ribs, for Wire Size 26, 3.81µm (150µ") Tin (Sn), 14 Circuits

**Documents:**

[3D Model](#) [Product Specification PS-70400 \(PDF\)](#)  
[Drawing \(PDF\)](#) [RoHS Certificate of Compliance \(PDF\)](#)

**Agency Certification**

CSA LR19980  
 UL E29179

**General**

Product Family Ribbon Cable / Wire Trap Connectors  
 Series [70475](#)  
 Comments Terminals Preloaded  
 Component Type Housing  
 Glow-Wire Compliant No  
 Overview [cgrid\\_sl\\_products](#)  
 Product Name SL™

**Physical**

Circuits (Loaded) 14  
 Durability (mating cycles max) 25  
 Entry Angle Vertical  
 Flammability 94V-0  
 Lock to Mating Part None  
 Number of Rows 1  
 PCB Retention None  
 Packaging Type Tube  
 Pitch - Mating Interface (in) 0.100 In  
 Pitch - Mating Interface (mm) 2.54 mm  
 Polarized to Mating Part No  
 Stackable Yes  
 Surface Mount Compatible (SMC) N/A  
 Temperature Range - Operating -40°C to +105°C  
 Wire Insulation Diameter 1.35mm (.053") max.  
 Wire Size AWG 26  
 Wire/Cable Type Discrete Wire, Ribbon Cable

**Electrical**

Current - Maximum per Contact 1.8A  
 Voltage - Maximum 250V

**Material Info**

Old Part Number 70475-0258

**Reference - Drawing Numbers**

Product Specification PS-70400

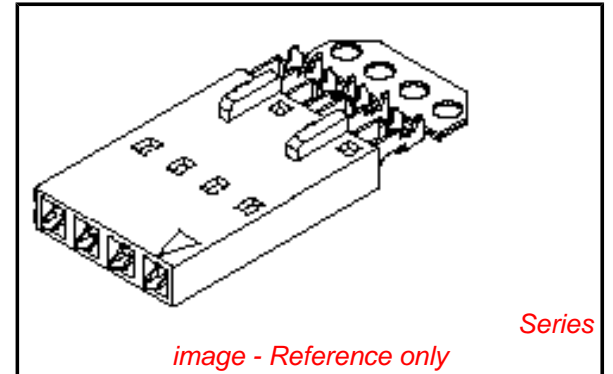


image - Reference only

**EU RoHS**

**ELV and RoHS Compliant**  
**REACH SVHC Not Reviewed**  
**Halogen-Free Status Not Reviewed**

**China RoHS**



**Need more information on product environmental compliance?**

Email [productcompliance@molex.com](mailto:productcompliance@molex.com)  
 For a multiple part number RoHS Certificate of Compliance, [click here](#)

Please visit the [Contact Us](#) section for any non-product compliance questions.

**Search Parts in this Series**

[70475Series](#)

**Mates With**

[70004](#) Interim Clip (Single Row), [70013](#) Interim Clip (Dual Row)

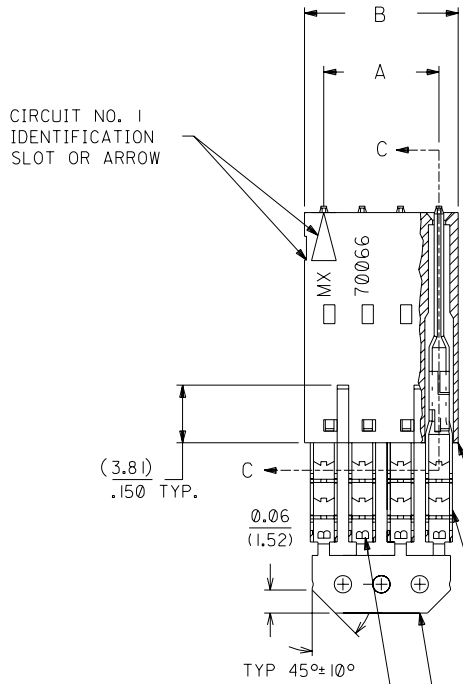
**Use With**

[7307](#) Tinned 28AWG, [7767](#) Topcoat 28AWG, [24241](#) Tinned 26AWG, [8996](#) Topcoat 26AWG, [24226](#) Tinned 24AWG, [8997](#) Topcoat 24AWG, [24369](#) High Flex 26AWG, [24389](#) High Flex 24AWG

# OPTION D

**NOTES:**

- 1) TO BE USED WITH (26) AWG. STRANDED WIRE WITH (1.35)/.053 DIA. MAX. INSULATION.
- 2) SEE CHART FOR CIRCUIT SIZES.
- 3) STANDARD PACKAGING PER PK-70873-0001. OPTIONAL PACKAGING MAY BE AVAILABLE, REQUEST DWG. PK-70475.
- 4) PARTS STACKABLE END TO END ON (2.54)/.100 CENTERS.
- 5) REFER TO PRODUCT SPECIFICATION: PS-70475.
- 6) SEE DWG. SDA-70475-\*\*\*\*\* (SHT.3) FOR OPTIONAL HOUSING DETAILS.
- 7) 4 CIRCUIT SHOWN. 3 - 25 CKT'S. HAVE (2) RIBS.
- 8) TO MATE WITH MOLEX PART NO'S.: 70018-\*\*\*\*, 70022-\*\*\*\*, 70104-\*\*\*\*.
- 9) 2 CIRCUIT ASSEMBLIES SUPPLIED AS GROUPED PAIRS.



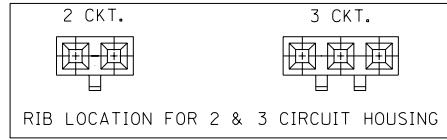
| I.D. SLOT CODE TO WIRE GAUGE CHART |            |
|------------------------------------|------------|
| I.D. SLOT CODE                     | WIRE GAUGE |
| B                                  | 26 AWG.    |

| PLATING CODE (STRIPE ON CARRIER STRIP) |       |
|--|-------|
| PLATING                                | COLOR |
| TIN                                    | NONE  |

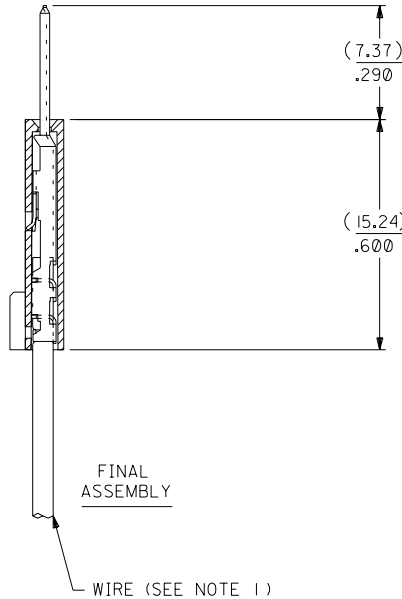
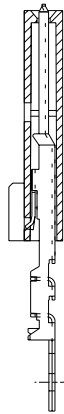
HOUSING PART NO. 70066-\*\*\*\*  
MATERIAL: G.F. POLYESTER, 94V-0

TERMINAL PART NO. 70110-\*\*\*\*  
MATERIAL: PHOSPHOR BRONZE  
PLATING PER ES-88-\*\*\*

TIN - .000150 MINIMUM TIN OVER  
.000050 MINIMUM NICKEL PLATE.



**SECTION C-C**



\*THE PRIMARY SHIPPING CARTON WILL BE LABELED "COMPLIANT TO RoHS DIRECTIVE 2002/95/EC AND ELV ANNEX II OF DIRECTIVE 2000/53/EC". CARTONS WITHOUT THIS LABEL MAY CONTAIN PRODUCT WITH LEAD.

| CKT. SIZE | A                  | B                  | EDP. NO.   | ENG. NO.     |
|-----------|--------------------|--------------------|------------|--------------|
| 2         | ( 2.54 )<br>.100   | ( 5.05 )<br>.199   | 14-45-0602 | A-70475-0246 |
| 3         | ( 5.08 )<br>.200   | ( 7.59 )<br>.299   | 14-45-0603 | A-70475-0247 |
| 4         | ( 7.62 )<br>.300   | ( 10.13 )<br>.399  | 14-45-0604 | A-70475-0248 |
| 5         | ( 10.16 )<br>.400  | ( 12.67 )<br>.499  | 14-45-0605 | A-70475-0249 |
| 6         | ( 12.70 )<br>.500  | ( 15.21 )<br>.599  | 14-45-0606 | A-70475-0250 |
| 7         | ( 15.24 )<br>.600  | ( 17.75 )<br>.699  | 14-45-0607 | A-70475-0251 |
| 8         | ( 17.78 )<br>.700  | ( 20.29 )<br>.799  | 14-45-0608 | A-70475-0252 |
| 9         | ( 20.32 )<br>.800  | ( 22.83 )<br>.899  | 14-45-0609 | A-70475-0253 |
| 10        | ( 22.86 )<br>.900  | ( 25.37 )<br>.999  | 14-45-0610 | A-70475-0254 |
| 11        | ( 25.54 )<br>1.000 | ( 27.91 )<br>1.099 | 14-45-0611 | A-70475-0255 |
| 12        | ( 27.94 )<br>1.100 | ( 30.45 )<br>1.199 | 14-45-0612 | A-70475-0256 |
| 13        | ( 30.48 )<br>1.200 | ( 32.99 )<br>1.299 | 14-45-0613 | A-70475-0257 |
| 14        | ( 33.02 )<br>1.300 | ( 35.53 )<br>1.399 | 14-45-0614 | A-70475-0258 |
| 15        | ( 35.56 )<br>1.400 | ( 38.07 )<br>1.499 | 14-45-0615 | A-70475-0259 |
| 16        | ( 38.01 )<br>1.500 | ( 40.61 )<br>1.599 | 14-45-0616 | A-70475-0260 |
| 17        | ( 40.64 )<br>1.600 | ( 43.15 )<br>1.699 | 14-45-0617 | A-70475-0261 |
| 18        | ( 43.18 )<br>1.700 | ( 45.69 )<br>1.799 | 14-45-0618 | A-70475-0262 |
| 19        | ( 45.72 )<br>1.800 | ( 48.23 )<br>1.899 | 14-45-0619 | A-70475-0263 |
| 20        | ( 48.26 )<br>1.900 | ( 50.77 )<br>1.999 | 14-45-0620 | A-70475-0264 |
| 21        | ( 50.80 )<br>2.000 | ( 53.31 )<br>2.099 | 14-45-0621 | A-70475-0265 |
| 22        | ( 53.34 )<br>2.100 | ( 55.85 )<br>2.199 | 14-45-0622 | A-70475-0266 |
| 23        | ( 55.88 )<br>2.200 | ( 58.39 )<br>2.299 | 14-45-0623 | A-70475-0267 |
| 24        | ( 58.42 )<br>2.300 | ( 60.93 )<br>2.399 | 14-45-0624 | A-70475-0268 |
| 25        | ( 60.96 )<br>2.400 | ( 63.47 )<br>2.499 | 14-45-0625 | A-70475-0269 |

| LTR. | REVISIONS   | LTR. | REVISIONS                                     |
|------|---|------|---|
| G    | LEAD FREE<br>UCP2004-1769<br>RWHITE 04/03/24                | E    | REVISED PER<br>ECR NO. U82124<br>10-17-88 MGB |
| FI   | ADD CARRIER CHAMF<br>ECN *UDT1998-0280<br>05/20/98 LMCGRATH | D    | REVISE PER<br>ECR *U81370<br>5/20/88 MJM      |
| F    | 164 PLATING WAS<br>102<br>PER ECR * U31149<br>08/09/93 REED | C    | REDRAWN ON CAD<br>ECR* 8842<br>5/9/86 W.Z.    |

| DRWG. BY  | CHK'D. BY | SCALE |
|-----------|-----------|-------|
| WAZ       | WAZ       | 4 : 1 |
| APP'D. BY | RL        |       |

| DIMENSIONS SHOWN (METRIC) INCH |      | UNLESS OTHERWISE SPECIFIED TOLERANCES: ANGULAR ± 1/2° |  |
|--------------------------------|------|---|--|
| 3 PLACE                        | INCH | METRIC  |  |
| ± .010                         |      | ---   |  |
| ± .014                         |      | ± 0.25  |  |
| ---                            |      | ± 0.35  |  |

DRAFT WHERE APPLICABLE MUST REMAIN WITHIN DIMENSIONS  
 THIS DRAWING CONTAINS INFORMATION THAT IS PROPRIETARY TO MOLEX INC. AND SHOULD NOT BE USED WITHOUT WRITTEN PERMISSION.

|  |                               |
|--|-------------------------------|
| MFG. SH. REV.<br>TITLE: ASSEMBLY, SL CONNECTOR (SINGLE ROW - (2.54)/.100 GRID) | SHEET NO. 1<br>DATE 10/13/84  |
| MOLEX INCORPORATED<br>LISLE, ILL. 60532 U.S.A.                                 | DRWG. NO. SDA-70475-0246-0269 |