

Customer Information Sheet

DRAWING No.: F05-410XX45R

SHEET 3 OF 4

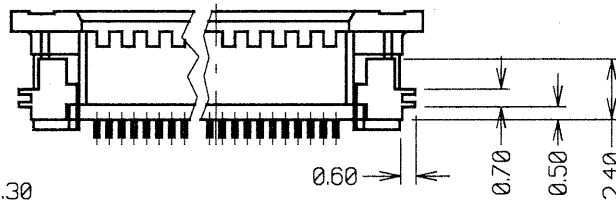
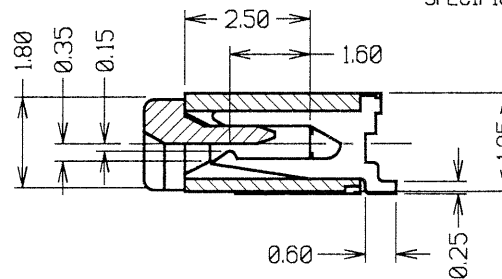
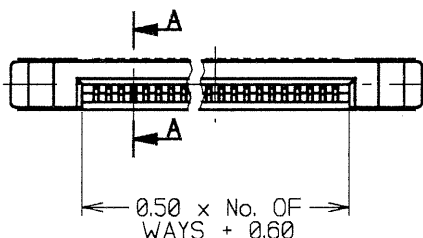
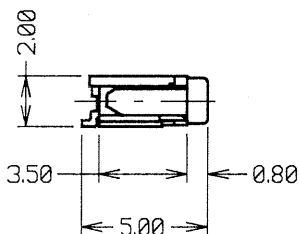
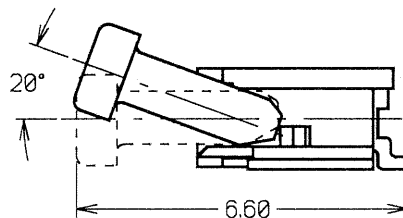
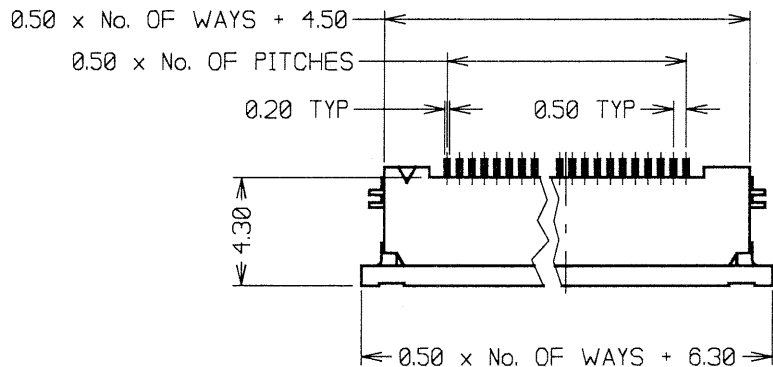
IF IN DOUBT - ASK

©

NOT TO SCALE

THIRD ANGLE PROJECTION

ALL DIMENSIONS IN mm



SPECIFICATIONS:

MATERIAL:

MOULDINGS - 40% GLASS-FILLED PPS (UL94V-0)
CONTACTS - HIGH PERFORMANCE COPPER ALLOY
RETAINER - PHOSPHOR BRONZE

FINISH:

CONTACTS - 0.05-0.1µ GOLD OVER 1.27µ NICKEL
RETAINER - 2.0-6.0µ 100% TIN OVER 1.27µ NICKEL

ELECTRICAL:

CURRENT RATING - 0.4A AC/DC
VOLTAGE RATING - 50V AC/DC
CONTACT RESISTANCE - 40 MILLIOHMS MAX
DIELECTRIC WITHSTANDING - 500V AC
INSULATION RESISTANCE - 500 MEGOHMS MIN

MECHANICAL:

RETENTION OF FPC - 0.25N x No. OF WAYS MIN
CONTACT RETENTION FORCE - 1.5N MIN
HOLD DOWN RETENTION FORCE - 3N MIN
DURABILITY - 30 CYCLES

ENVIRONMENTAL:

TEMPERATURE RANGE - -25°C TO +85°C

PACKING:

TAPE & REEL

FOR COMPLETE SPECIFICATION, SEE COMPONENT SPECIFICATION C030XX (LATEST ISSUE).

NOTES:

1. ALL TOLERANCES TO BE ±0.30 UNLESS OTHERWISE STATED.
2. FOR REELING DETAILS SEE SHEET 4.

JMB	6	19.06.06	9273
NAME	ISS.	DATE	C/NOTE
APPROVED: <i>[Signature]</i>			
CHECKED: <i>[Signature]</i>			
DRAWN:		W. J. BOURNE	
CUSTOMER REF.:			
ASSEMBLY DRG:			

ORDER CODE:
F05-410XX45R
No. OF WAYS
06, 08, 10, 12, 14, 16,
18, 20, 24, 26 & 30

HARWIN

HARWIN USA TEL: 603 893 5376 FAX: 603 893 5396 mis@harwin.com	HARWIN Europe (UK) TEL: 023 9231 4545 FAX: 023 9231 4590 mis@harwin.co.uk	HARWIN Asia TEL: +65 6 779 4909 FAX: +65 6 779 3868 mis@harwin.com.sg
--	--	--

THIS DRAWING AND ANY INFORMATION OR DESCRIPTIVE MATTER SET OUT HEREON ARE CONFIDENTIAL AND COPYRIGHT PROPERTY OF THE HARWIN GROUP AND MUST NOT BE DISCLOSED, LOANED, COPIED OR USED FOR MANUFACTURING, TENDERING OR FOR ANY OTHER PURPOSE WITHOUT THEIR WRITTEN PERMISSION.

TOLERANCES
X. = ±1mm
X.X = ±0.25mm
X.XX = ±0.10mm
X.XXX = ±0.01mm
ANGLES = ±5°
UNLESS STATED

MATERIAL: SEE ABOVE
FINISH: SEE ABOVE
S/AREA: mm²

TITLE:
0.5mm PITCH FPC CONNECTOR
BOTTOM CONTACT (TAPE & REEL)
DRAWING NUMBER:
F05-410XX45R

SHT
3
OF
4

Customer Information Sheet

DRAWING No.: F05-410XX45R

SHEET 4 OF 4

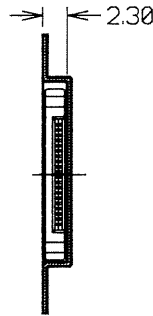
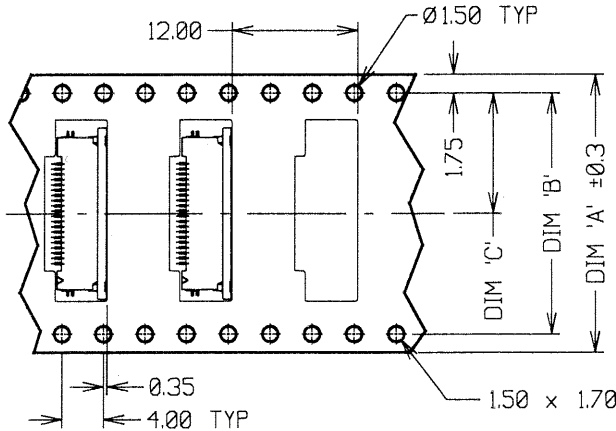
IF IN DOUBT - ASK

©

NOT TO SCALE

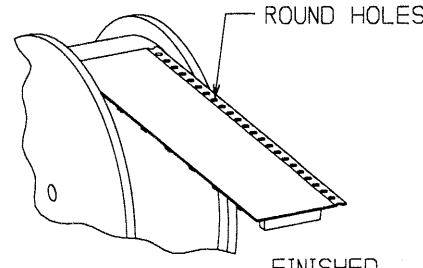
THIRD ANGLE PROJECTION

ALL DIMENSIONS IN mm



SECTION X-X

FEED DIRECTION

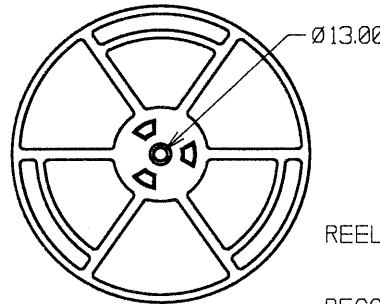
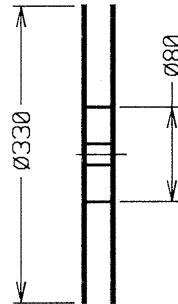


FINISHED REELING DIRECTION

PART No:	DIM 'A'	DIM 'B'	DIM 'C'
F05-4100645R	16.0		7.5
F05-4100845R	16.0		7.5
F05-4101045R	24.0		11.5
F05-4101245R	24.0		11.5
F05-4101445R	24.0		11.5
F05-4101645R	24.0		11.5
F05-4101845R	24.0		11.5
F05-4102045R	24.0		11.5
F05-4102445R	24.0		11.5
F05-4102645R	32.0	28.4	14.2
F05-4103045R	32.0	28.4	14.2

ORDER CODE:
F05-410XX45R

No. OF WAYS _____
06, 08, 10, 12, 14, 16,
18, 20, 24, 26 & 30

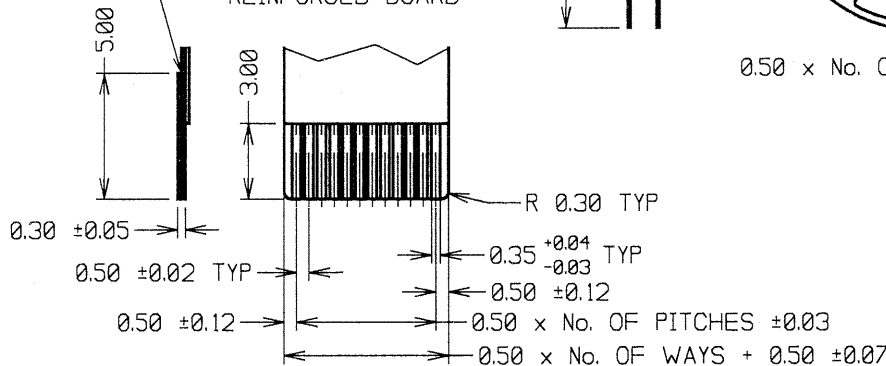


REEL DETAILS

NOTES:

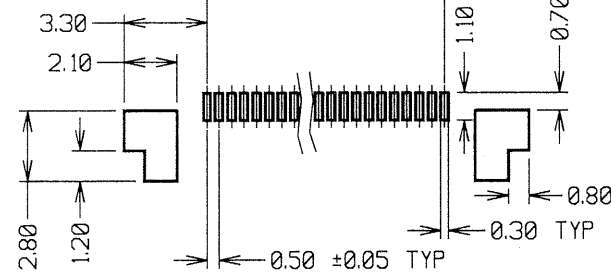
1. FOR CONNECTOR DIMENSIONS SEE SHEET 3.
2. QUANTITY OF COMPONENTS PER REEL = 2000.
3. TAPE & REELING TO BE IN ACCORDANCE WITH ELECTRONIC INDUSTRIES ASSOCIATION EIA-481.

RECOMMENDED F.P.C. LAYOUT
REINFORCED BOARD



0.50 x No. OF PITCHES ±0.08

RECOMMENDED PAD LAYOUT



JMB	6	19.06.06	9273
NAME	ISS.	DATE	C/NOTE
APPROVED: <i>[Signature]</i>			
CHECKED: <i>[Signature]</i>			
DRAWN:		W. J. BOURNE	
CUSTOMER REF.:			
ASSEMBLY DRG:			

HARWIN

THIS DRAWING AND ANY INFORMATION OR DESCRIPTIVE MATTER SET OUT HEREON ARE CONFIDENTIAL AND COPYRIGHT PROPERTY OF THE HARWIN GROUP AND MUST NOT BE DISCLOSED, LOANED, COPIED OR USED FOR MANUFACTURING, TENDERING OR FOR ANY OTHER PURPOSE WITHOUT THEIR WRITTEN PERMISSION.

TOLERANCES
X. = ±1mm
X.X = ±0.25mm
X.XX = ±0.10mm
X.XXX = ±0.01mm
ANGLES = ±5°
UNLESS STATED

MATERIAL:
SEE SHEET 3
FINISH: SEE SHEET 3
S/AREA: mm²

TITLE:
0.5mm PITCH FPC CONNECTOR
BOTTOM CONTACT (TAPE & REEL)
DRAWING NUMBER:
F05-410XX45R

HARWIN USA TEL: 603 893 5376 FAX: 603 893 5396 mis@harwin.com	HARWIN Europe (UK) TEL: 023 9231 4545 FAX: 023 9231 4590 mis@harwin.co.uk	HARWIN Asia TEL: +65 6 779 4909 FAX: +65 6 779 3868 mis@harwin.com.sg
--	--	--

SHT
4
OF
4