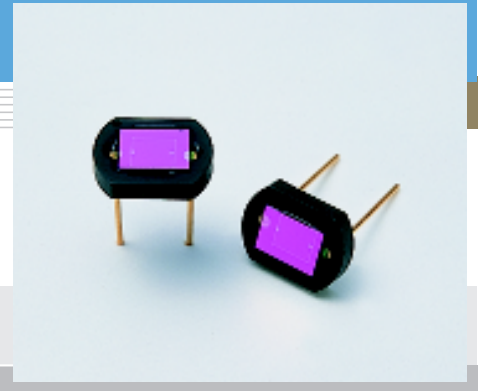


Si photodiode

S7686



Photodiode with sensitivity close to spectral luminous efficiency

S7686 is a Si photodiode having a spectral response characteristic that is more similar to the human eye sensitivity (spectral luminous efficiency) than our conventional visible-compensated sensors (S1133, etc.).

Features

- Spectral response analogous to CIE spectral luminous efficiency
Spectral response range: 480 to 660 nm
Peak sensitivity wavelength: 550 nm
- Ceramic package for reliability
- Active area: 2.4 × 2.8 mm
- High-speed response: 0.5 μs (VR=0 V, RL=1 kΩ)
- fs value: 8 % Typ. (vertical light input)

Applications

- Illuminometer
- Luminance meter

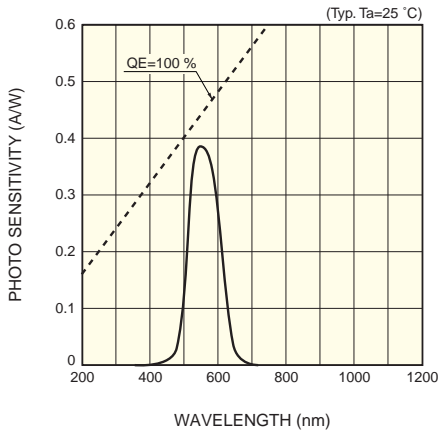
■ Absolute maximum ratings (Ta=25 °C)

Parameter	Symbol	Value	Unit
Reverse voltage	VR Max.	10	V
Operating temperature	Topr	-10 to +60	°C
Storage temperature	Tstg	-20 to +70	°C

■ Electrical and optical characteristics (Ta=25 °C)

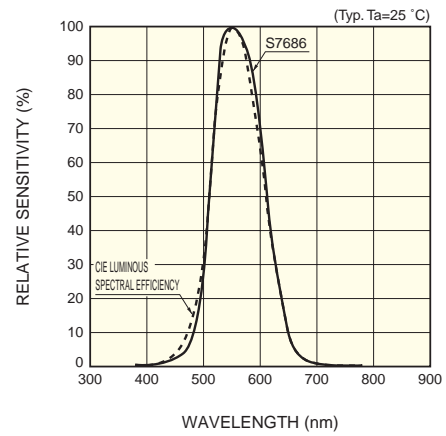
Parameter	Symbol	Condition	Min.	Typ.	Max.	Unit
Spectral response range	λ		-	480 to 660	-	nm
Peak sensitivity wavelength	λ_p		-	550	-	nm
Photo sensitivity	S	$\lambda=\lambda_p$	-	0.38	-	A/W
Short circuit current	Isc	100 lx, 2856 K	-	0.45	-	μA
Dark current	ID	VR=1 V	-	2	20	pA
Rise time	tr	VR=0 V, RL=1 kΩ	-	0.5	-	μs
Terminal capacitance	Ct	VR=0 V, f=10 kHz	-	200	-	pF

■ Spectral response



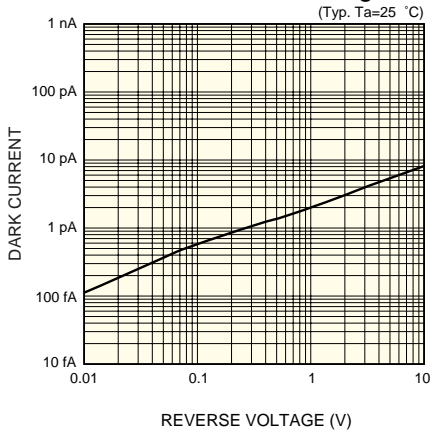
KSPDB0133EB

■ Spectral response (relative value)



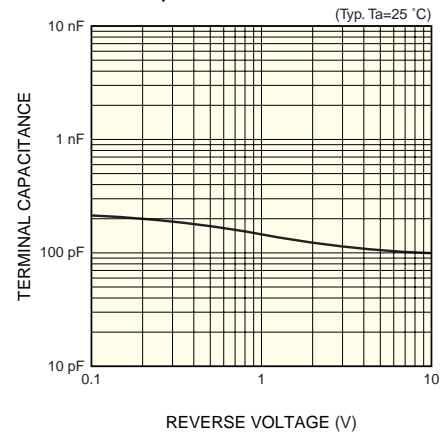
KSPDB0092EB

■ Dark current vs. reverse voltage



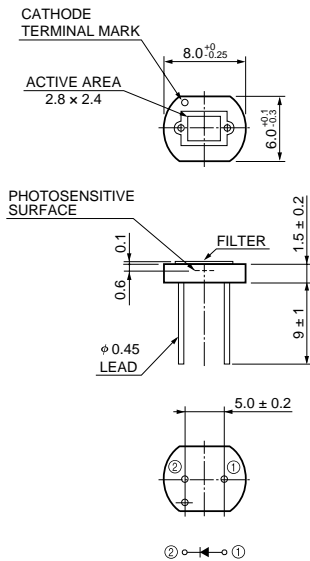
KSPDB0144EA

■ Terminal capacitance vs. reverse voltage



KSPDB0145EA

■ Dimensional outline (unit: mm, tolerance unless otherwise noted: ±0.15)



KSPDA0089EA

HAMAMATSU

Information furnished by HAMAMATSU is believed to be reliable. However, no responsibility is assumed for possible inaccuracies or omissions. Specifications are subject to change without notice. No patent rights are granted to any of the circuits described herein. ©2002 Hamamatsu Photonics K.K.

HAMAMATSU PHOTONICS K.K., Solid State Division

1126-1 Ichino-cho, Higashi-ku, Hamamatsu City, 435-8558 Japan, Telephone: (81) 53-434-3311, Fax: (81) 53-434-5184, <http://www.hamamatsu.com>

U.S.A.: Hamamatsu Corporation: 360 Foothill Road, P.O.Box 6910, Bridgewater, N.J. 08807-0910, U.S.A., Telephone: (1) 908-231-0960, Fax: (1) 908-231-1218

Germany: Hamamatsu Photonics Deutschland GmbH: Arzbergerstr. 10, D-82211 Herrsching am Ammersee, Germany, Telephone: (49) 08152-3750, Fax: (49) 08152-2658

France: Hamamatsu Photonics France S.A.R.L.: 19, Rue du Saule Trapu, Parc du Moulin de Massy, 91882 Massy Cedex, France, Telephone: 33-(1) 69 53 71 00, Fax: 33-(1) 69 53 71 10

United Kingdom: Hamamatsu Photonics UK Limited: 2 Howard Court, 10 Twin Road, Welwyn Garden City, Hertfordshire AL7 1BW, United Kingdom, Telephone: (44) 1707-294888, Fax: (44) 1707-325777

North Europe: Hamamatsu Photonics Norden AB: Smidesvägen 12, SE-171 41 Solna, Sweden, Telephone: (46) 8-509-031-00, Fax: (46) 8-509-031-01

Italy: Hamamatsu Photonics Italia S.R.L.: Strada della Moia, 1/E, 20020 Arese, (Milano), Italy, Telephone: (39) 02-935-81-733, Fax: (39) 02-935-81-741