





**Solid State Devices, Inc.**

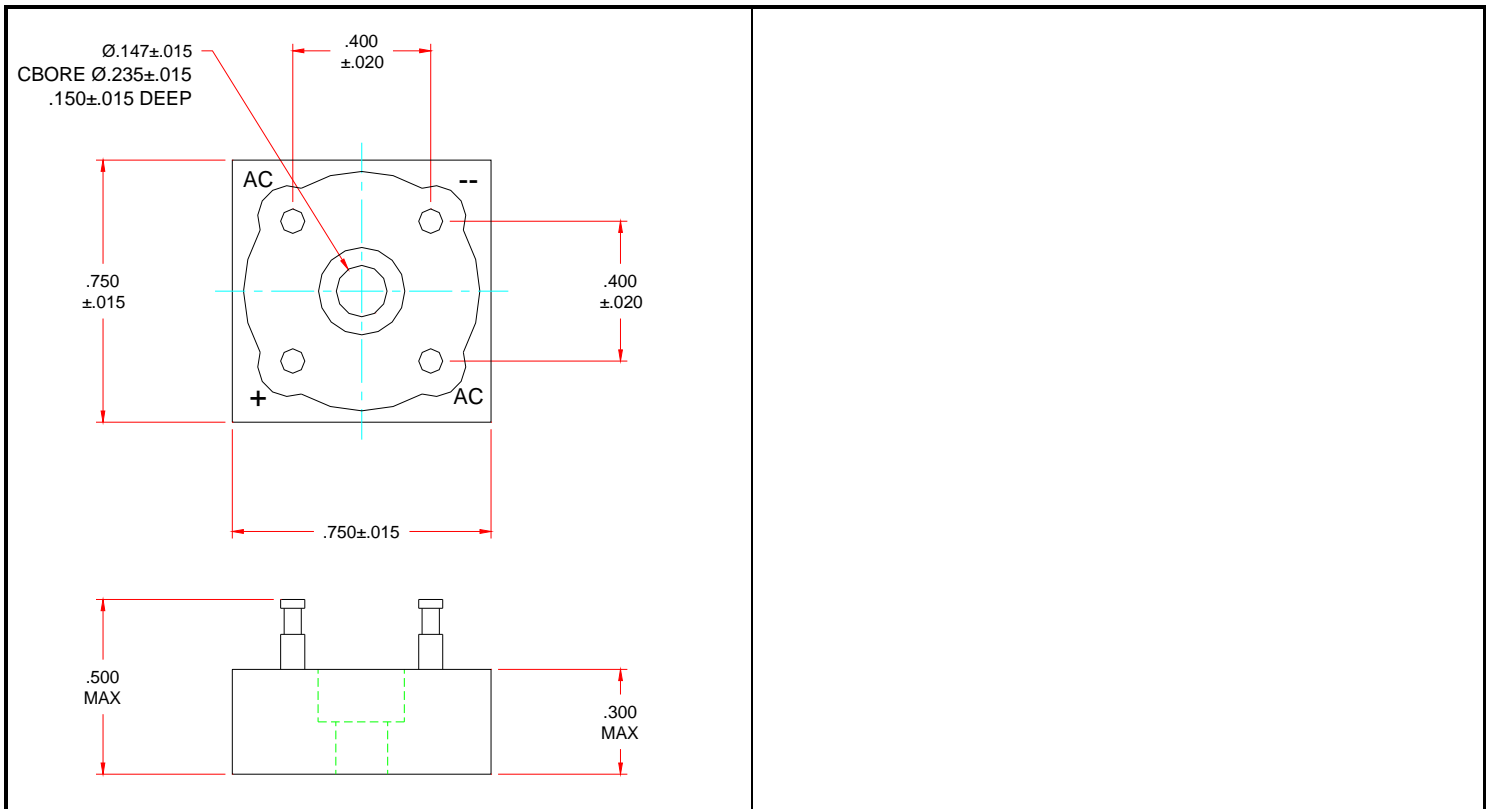
14701 Firestone Blvd \* La Mirada, Ca 90638  
 Phone: (562) 404-4474 \* Fax: (562) 404-1773  
 ssdi@ssdi-power.com \* www.ssdi-power.com

**SDA628 Series**

Electrical Characteristic <sup>3/ 4/</sup>	Symbol	Min	Typ	Max	Units
<b>Instantaneous Forward Voltage Drop</b> (300 - 500 μsec pulse)	$I_F = 6A$ $V_{FI}$	—	0.90	0.95	Volts
<b>Reverse Leakage Current</b> (Rated $V_R$ , 300 μsec pulse minimum)	$I_{R1}$	—	5.0	10	μA
<b>Reverse Leakage Current</b> (Rated $V_R$ , $T_A = 100^\circ C$ , 300 μsec pulse minimum)	$I_{R2}$	—	0.2	0.3	mA
<b>Reverse Recovery Time</b> $I_F = 0.5A$ , $I_R = 1.0A$ , $I_{Tr} = 0.25A$	$t_{rr}$	—	35	50	nS
<b>Insulation Leakage</b> (All Terminals to Case) $R_{INS} = 100 M\Omega$	$V_R = 1000V$	—	—	10	μA

**NOTES:**

- 1/ For Ordering Information, Price, and Availability Contact Factory.
- 2/ Rating Applies to the Total Bridge.
- 3/ Derate Linearly at 0.189 A/°C for  $T_C > 55^\circ C$ .
- 4/ Unless Otherwise Specified, All Electrical Characteristics @ 25°C.



**NOTE:** All specifications are subject to change without notification. SCD's for these devices should be reviewed by SSDI prior to release.

**DATA SHEET #: RA0053B**

**DOC**