

AM-60079-2

11-21-9757

(42219 & 42254 SPOX)

ARBOR PRESS

OPERATION & SET-UP
MANUAL

® REGISTERED TRADE MARK OF MOLEX INCORPORATED

THIS DOCUMENT CONTAINS INFORMATION
THAT IS PROPRIETARY TO
MOLEX INCORPORATED AND SHOULD NOT
BE USED WITHOUT WRITTEN PERMISSION.

MOLEX INCORPORATED, 2222 WELLINGTON COURT, LISLE ILLINOIS (708) 969-4550

AM-60079-2

2.5MM ARBOR PRESS TERMINATOR

TABLE OF CONTENTS

	<u>Page</u>
Basic Press	
Description	1
Specification	1
Installation	1
Operating Instructions	2
Adjustments	2
General Maintenance	2
Terminator Module	
Description	3
Installation	3
Perishable Parts List	4
Bill of Material	
Assembly Drawing	

AM-60079-2

2.5MM ARBOR PRESS TERMINATOR

DESCRIPTION

The Molex AM-60079-2 application tool was developed as a low cost, low volume, ribbon cable terminator.

An operator places a connector on the loading platform (AM-60079T112) and slides it right until contacting the positive stop under the track cover.

Next, the operator slides ribbon cable along the right cable guide until touching the wire stop above the connector. With ribbon cable in position, pull the press handle to full down position and return to full up position.

To remove the completed harness slide the housing to the left out of the nest.

SPECIFICATIONS

Physical Dimensions: Length 10 1/2"
Width 6"
Height 21"
Weight 41 lbs.

Maximum Ram force : 3,000 lbs.

Ram Stroke : 1.750

INSTALLATION

Fasten the press to a stable bench or work surface. Two holes sized for 5/16 lag screws are provided in the base of the press.

OPERATING INSTRUCTIONS

1. Ram Operation

To cycle the press, pull Ram Handle (AM-60026-23) from full up position to full down position and return.

2. Anti-Back-Up

To ensure a complete termination the basic press is equipped with an anti-back-up system. This guarantees full down stroke and full return. To temporarily disengage the anti-back-up, there is a release lever (AM-60026-18) located on the inner side of the frame (LH) (AM-60026-3). Pulling up and holding the release lever (AM-60026-18) will allow the ram handle (AM-60026-23) to move freely in either direction.

ADJUSTMENTS

1. Reversible Ram Handle

The press ram handle (AM-60026-23) can be reversed for left or right hand operation. To change the ram handle (AM-60026-23) from right side to left side, remove 1/4 - 20 S.H.C.S. from the lower portion of the ram arm (AM-60026-22). Remove the arm/handle assembly and rotate 180 degrees. Replace the 1/4 - 20 S.H.C.S. and tighten securely.

2. Ram Adjustment

Use the ram adjust screw (AM-60026-7) to adjust the depth of any tooling used on the ram (AM-60026-6). An indicator is engraved on the ram (AM-60026-6) just above the ram adjust screw (AM-60026-7). To increase depth, turn the ram adjust screw (AM-60026-7) to the left, (CW) toward the "+" sign. To decrease the depth, turn to the right, (CCW) toward the "-" sign.

GENERAL MAINTENANCE

The following components should be kept clean and lubricated sparingly with S.A.E. 10W motor oil or equivalent.

Ram Cam (cam path)	AM-60026-11
Cam Shaft	AM-60026-12
Cam Shaft Bearings	AM-60026028
Cam Follower	AM-60026-13
Ram Cam Detent (ball)	AM-60026-32
Ram (all four sides)	AM-60026-6
Ram Roller Bearings	AM-60026-10
Anti-Back-Up Pawl (pivot)	AM-60026016
Anti-Back-Up Release Pivot	AM-60026-19

NOTE: For illustration of lubrication points, see Figure 1.

AM-60079T1

2.5MM DISCRETE WIRE TERMINATOR MODULE

DESCRIPTION

When assembled to a basic press, the AM-60079T2 terminator module will terminate and crimp the following Molex connectors:

#42219 Female Connector
#42254 Male Connector

The module was designed for low volume, prototype production requiring the operator to break off the terminal carrier strip as a secondary operation outside the press after termination.

INSTALLATION

1. Punch Holder to Ram

With the ram handle (AM-60026-23) in full up position slip tooling holder (AM-60063-2) on to the ram (AM-60026-6) and gently push up until it stops. While maintaining a light upward force on the tooling holder (AM-60063-2), push the latch (AM-60037-5) to the rear and release. This allows the tooling holder (AM-60063-2) to shift up and the latch (AM-60037-5) to lock into the groove on the ram adjust screw (AM-60026-7).

2. Mounting Plate to Basic Press

Slide the mounting plate (AM-60079-T111) on the press base (AM-60026-1) so the slots on both sides of the nest base (AM-60038-2) capture the nest mounting screws.

-----DO NOT TIGHTEN SCREWS-----

Slowly pull down the ram handle (AM-60026-23) to bring alignment pins (AM-60079T109 & AM-60079T110) down to engage in the guide holes. When the ram handle (AM-60026-23) is full down the nest base (AM-60038-2) is properly aligned. Tighten the nest mounting screws securely.

PERISHABLE PARTS LIST

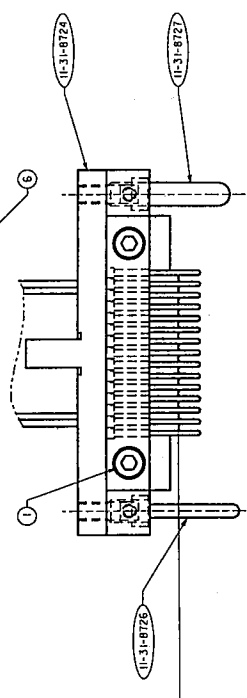
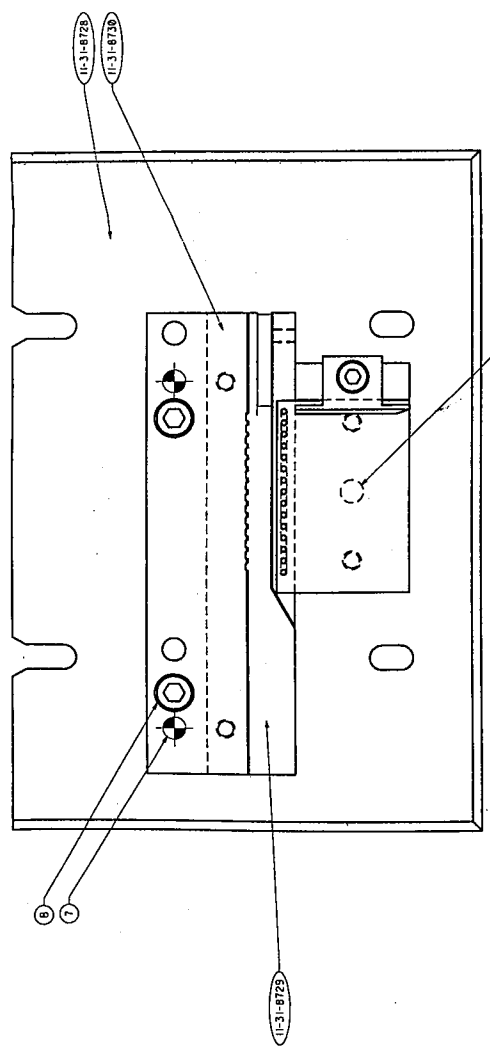
This perishable parts list contains information for the identification and ordering of parts for the AM-60079T2 terminator module which might require replacement due to wear or other damage. Always specify both the Engineering No. and the E.D.P. No. when ordering replacement parts.

<u>Description</u>	<u>Qty.</u>	<u>Eng. No.</u>	<u>E.D.P. No.</u>
Pilot Pin	15	AM-60079T101	11-31-8718
1st Termination Blade	1	AM-60079T103	11-31-8720
Center Termination Blade	1	AM-60079T104	11-31-8721
3rd Termination Blade	1	AM-63179T105	11-32-6125
Crimp Blade	1	AM-63179T106	11-32-6126

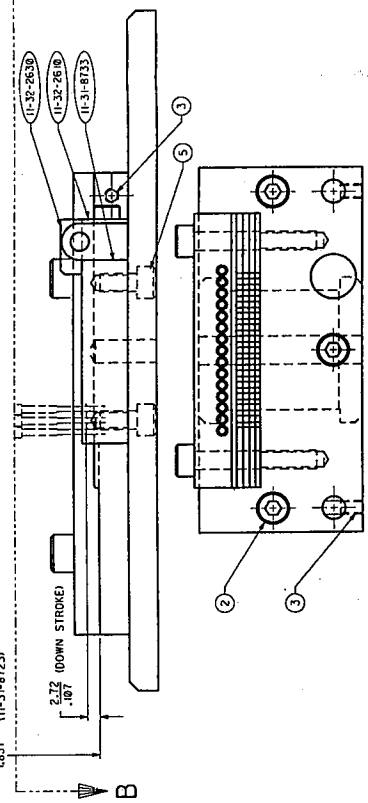
BILL OF FASTENERS

QTY.	DESCRIPTION
2	M3 X .70 S.S.C.S. 25x1.6
2	M3 X .70 S.S.C.S. 10x1.6
3	M3 X .70 S.S.C.S. 20x1.6
4	M3 X .70 S.S.C.S. 30x1.6
4	M3 X .70 S.S.C.S. 40x1.6
5	M3 X .70 S.S.C.S. 50x1.6
6	M3 X .70 S.S.C.S. 60x1.6
7	M3 X .70 S.S.C.S. 70x1.6
8	M3 X .70 S.S.C.S. 80x1.6
8	M3 X .70 S.S.C.S. 100x1.6

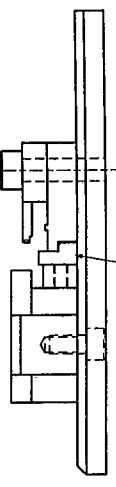
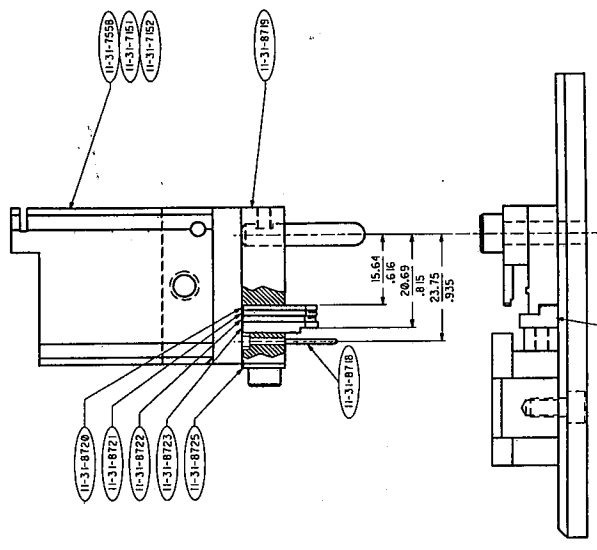
VIEW B-B



2.72 (DOWN STROKE)
 .107
 47.17
 TO GROUP RANGE
 11-31-8723



VIEW A-A



REV	DATE	DESCRIPTION
1		REVISE ONLY ON CAD SYSTEM
2		ARBOR PRESS TOOLING
3		2.5mm
4		15 Ckt. WAX CABLE
5		15 Ckt. WAX CABLE
6		15 Ckt. WAX CABLE
7		15 Ckt. WAX CABLE
8		15 Ckt. WAX CABLE
9		15 Ckt. WAX CABLE
10		15 Ckt. WAX CABLE
11		15 Ckt. WAX CABLE
12		15 Ckt. WAX CABLE
13		15 Ckt. WAX CABLE
14		15 Ckt. WAX CABLE
15		15 Ckt. WAX CABLE
16		15 Ckt. WAX CABLE
17		15 Ckt. WAX CABLE
18		15 Ckt. WAX CABLE
19		15 Ckt. WAX CABLE
20		15 Ckt. WAX CABLE
21		15 Ckt. WAX CABLE
22		15 Ckt. WAX CABLE
23		15 Ckt. WAX CABLE
24		15 Ckt. WAX CABLE
25		15 Ckt. WAX CABLE
26		15 Ckt. WAX CABLE
27		15 Ckt. WAX CABLE
28		15 Ckt. WAX CABLE
29		15 Ckt. WAX CABLE
30		15 Ckt. WAX CABLE
31		15 Ckt. WAX CABLE
32		15 Ckt. WAX CABLE
33		15 Ckt. WAX CABLE
34		15 Ckt. WAX CABLE
35		15 Ckt. WAX CABLE
36		15 Ckt. WAX CABLE
37		15 Ckt. WAX CABLE
38		15 Ckt. WAX CABLE
39		15 Ckt. WAX CABLE
40		15 Ckt. WAX CABLE
41		15 Ckt. WAX CABLE
42		15 Ckt. WAX CABLE
43		15 Ckt. WAX CABLE
44		15 Ckt. WAX CABLE
45		15 Ckt. WAX CABLE
46		15 Ckt. WAX CABLE
47		15 Ckt. WAX CABLE
48		15 Ckt. WAX CABLE
49		15 Ckt. WAX CABLE
50		15 Ckt. WAX CABLE
51		15 Ckt. WAX CABLE
52		15 Ckt. WAX CABLE
53		15 Ckt. WAX CABLE
54		15 Ckt. WAX CABLE
55		15 Ckt. WAX CABLE
56		15 Ckt. WAX CABLE
57		15 Ckt. WAX CABLE
58		15 Ckt. WAX CABLE
59		15 Ckt. WAX CABLE
60		15 Ckt. WAX CABLE
61		15 Ckt. WAX CABLE
62		15 Ckt. WAX CABLE
63		15 Ckt. WAX CABLE
64		15 Ckt. WAX CABLE
65		15 Ckt. WAX CABLE
66		15 Ckt. WAX CABLE
67		15 Ckt. WAX CABLE
68		15 Ckt. WAX CABLE
69		15 Ckt. WAX CABLE
70		15 Ckt. WAX CABLE
71		15 Ckt. WAX CABLE
72		15 Ckt. WAX CABLE
73		15 Ckt. WAX CABLE
74		15 Ckt. WAX CABLE
75		15 Ckt. WAX CABLE
76		15 Ckt. WAX CABLE
77		15 Ckt. WAX CABLE
78		15 Ckt. WAX CABLE
79		15 Ckt. WAX CABLE
80		15 Ckt. WAX CABLE
81		15 Ckt. WAX CABLE
82		15 Ckt. WAX CABLE
83		15 Ckt. WAX CABLE
84		15 Ckt. WAX CABLE
85		15 Ckt. WAX CABLE
86		15 Ckt. WAX CABLE
87		15 Ckt. WAX CABLE
88		15 Ckt. WAX CABLE
89		15 Ckt. WAX CABLE
90		15 Ckt. WAX CABLE
91		15 Ckt. WAX CABLE
92		15 Ckt. WAX CABLE
93		15 Ckt. WAX CABLE
94		15 Ckt. WAX CABLE
95		15 Ckt. WAX CABLE
96		15 Ckt. WAX CABLE
97		15 Ckt. WAX CABLE
98		15 Ckt. WAX CABLE
99		15 Ckt. WAX CABLE
100		15 Ckt. WAX CABLE

11-31-8731

11-31-8732

11-31-8733

11-31-8734

11-31-8735

11-31-8736

11-31-8737

11-31-8738

11-31-8739

11-31-8740

11-31-8741

11-31-8742

11-31-8743

11-31-8744

11-31-8745

11-31-8746

11-31-8747

11-31-8748

11-31-8749

11-31-8750

11-31-8751

11-31-8752

11-31-8753

11-31-8754

11-31-8755

11-31-8756

11-31-8757

11-31-8758

11-31-8759

11-31-8760

11-31-8761

11-31-8762

11-31-8763

11-31-8764

11-31-8765

11-31-8766

11-31-8767

11-31-8768

11-31-8769

11-31-8770

11-31-8771

11-31-8772

11-31-8773

11-31-8774

11-31-8775

11-31-8776

11-31-8777

11-31-8778

11-31-8779

11-31-8780

11-31-8781

11-31-8782

11-31-8783

11-31-8784

11-31-8785

11-31-8786

11-31-8787

11-31-8788

11-31-8789

11-31-8790

11-31-8791

11-31-8792

11-31-8793

11-31-8794

11-31-8795

11-31-8796

11-31-8797

11-31-8798

11-31-8799

11-31-8800

11-31-8801

11-31-8802

11-31-8803

11-31-8804

11-31-8805

11-31-8806

11-31-8807

11-31-8808

11-31-8809

11-31-8810

11-31-8811

11-31-8812

11-31-8813

11-31-8814

11-31-8815

11-31-8816

11-31-8817

11-31-8818

11-31-8819

11-31-8820

11-31-8821

11-31-8822

11-31-8823

11-31-8824

11-31-8825

11-31-8826

11-31-8827

11-31-8828

11-31-8829

11-31-8830

11-31-8831

11-31-8832

11-31-8833

11-31-8834

11-31-8835

11-31-8836

11-31-8837

11-31-8838

11-31-8839

11-31-8840

11-31-8841

11-31-8842

11-31-8843

11-31-8844

11-31-8845

11-31-8846

11-31-8847

11-31-8848

11-31-8849

11-31-8850

11-31-8851

11-31-8852

11-31-8853

11-31-8854

11-31-8855

11-31-8856

11-31-8857

11-31-8858

11-31-8859

11-31-8860

11-31-8861

11-31-8862

11-31-8863

11-31-8864

11-31-8865

11-31-8866

11-31-8867

11-31-8868

11-31-8869

11-31-8870

11-31-8871

11-31-8872

11-31-8873

11-31-8874

11-31-8875

11-31-8876

11-31-8877

11-31-8878

11-31-8879

11-31-8880

11-31-8881

11-31-8882

11-31-8883

11-31-8884

11-31-8885

AM-60079

2.5MM ARBOR PRESS TERMINATOR

OPERATION MANUAL

DISCRETE WIRE VERSION

OBSOLETE!

AM-60079

2.5MM ARBOR PRESS TERMINATOR

TABLE OF CONTENTS

	<u>Page</u>
Basic Press	
Description	1
Specification	1
Installation	1
Operating Instructions	2
Adjustments	2
General Maintenance	2
Terminator Module	
Description	3
Installation	3
Perishable Parts List	4
Bill of Material	
Assembly Drawing	

AM-60079

2.5MM ARBOR PRESS TERMINATOR

DESCRIPTION

The Molex AM-60079 application tool was developed as a low cost, low volume, discrete wire terminator.

An operator places a connector on the loading platform (AM-60079T112) and slides it right until contacting the positive stop under the track cover.

Next, the operator slides discrete wires into the desired slots until touching the wire stop above the connector. With all wires in position, pull the press handle to full down position and return to full up position.

To remove the completed harness, first lift the wire guide (AM-60079T115) out of position to release the wires, then slide the housing out of the nest.

Return the wire guide to closed position.

SPECIFICATIONS

Physical Dimensions: Length 10 1/2"
Width 6"
Height 21"
Weight 41 lbs.

Maximum Ram force : 3,000 lbs.

Ram Stroke : 1.750

INSTALLATION

Fasten the press to a stable bench or work surface. Two holes sized for 5/16 lag screws are provided in the base of the press.

OPERATING INSTRUCTIONS

1. Ram Operation

To cycle the press, pull Ram Handle (AM-60026-23) from full up position to full down position and return.

2. Anti-Back-Up

To ensure a complete termination the basic press is equipped with an anti-back-up system. This guarantees full down stroke and full return. To temporarily disengage the anti-back-up, there is a release lever (AM-60026-18) located on the inner side of the frame (LH)(AM-60026-3). Pulling up and holding the release lever (AM-60026-18) will allow the ram handle (AM-60026-23) to move freely in either direction.

ADJUSTMENTS

1. Reversible Ram Handle

The press ram handle (AM-60026-23) can be reversed for left or right hand operation. To change the ram handle (AM-60026-23) from right side to left side, remove 1/4 - 20 S.H.C.S. from the lower portion of the ram arm (AM-60026-22). Remove the arm/handle assembly and rotate 180 degrees. Replace the 1/4 - 20 S.H.C.S. and tighten securely.

2. Ram Adjustment

Use the ram adjust screw (AM-60026-7) to adjust the depth of any tooling used on the ram (AM-60026-6). An indicator is engraved on the ram (AM-60026-6) just above the ram adjust screw (AM-60026-7). To increase depth, turn the ram adjust screw (AM-60026-7) to the left, (CW) toward the "+" sign. To decrease the depth, turn to the right, (CCW) toward the "-" sign.

GENERAL MAINTENANCE

The following components should be kept clean and lubricated sparingly with S.A.E. 10W motor oil or equivalent.

Ram Cam (cam path)	AM-60026-11
Cam Shaft	AM-60026-12
Cam Shaft Bearings	AM-60026028
Cam Follower	AM-60026-13
Ram Cam Detent (ball)	AM-60026-32
Ram (all four sides)	AM-60026-6
Ram Roller Bearings	AM-60026-10
Anti-Back-Up Pawl (pivot)	AM-60026016
Anti-Back-Up Release Pivot	AM-60026-19

NOTE: For illustration of lubrication points, see Figure 1.

AM-60079T1

2.5MM DISCRETE WIRE TERMINATOR MODULE

DESCRIPTION

When assembled to a basic press, the AM-60079T1 terminator module will terminate and crimp the following Molex connectors:

#42219 Female Connector
#42254 Male Connector

The module was designed for low volume, prototype production requiring the operator to break off the terminal carrier strip as a secondary operation outside the press after termination.

INSTALLATION

1. Punch Holder to Ram

With the ram handle (AM-60026-23) in full up position slip tooling holder (AM-60063-2) on to the ram (AM-60026-6) and gently push up until it stops. While maintaining a light upward force on the tooling holder (AM-60063-2), push the latch (AM-60037-5) to the rear and release. This allows the tooling holder (AM-60063-2) to shift up and the latch (AM-60037-5) to lock into the groove on the ram adjust screw (AM-60026-7).

2. Mounting Plate to Basic Press

Slide the mounting plate (AM-60079-T111) on the press base (AM-60026-1) so the slots on both sides of the nest base (AM-60038-2) capture the nest mounting screws.

-----DO NOT TIGHTEN SCREWS-----

Slowly pull down the ram handle (AM-60026-23) to bring alignment pins (AM-60079T109 & AM-60079T110) down to engage in the guide holes. When the ram handle (AM-60026-23) is full down the nest base (AM-60038-2) is properly aligned. Tighten the nest mounting screws securely.

PERISHABLE PARTS LIST

This perishable parts list contains information for the identification and ordering of parts for the AM-60079T1 terminator module which might require replacement due to wear or other damage. Always specify both the Engineering No. and the E.D.P. No. when ordering replacement parts.

<u>Description</u>	<u>Qty.</u>	<u>Eng. No.</u>	<u>E.D.P. No.</u>
Pilot Pin	15	AM-60079T101	11-31-8718
1st Termination Blade	1	AM-60079T103	11-31-8720
Center Termination Blade	1	AM-60079T104	11-31-8721
3rd Termination Blade	1	AM-60079T105	11-31-8722
Crimp Blade	1	AM-60079T106	11-31-8723