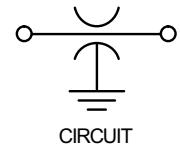
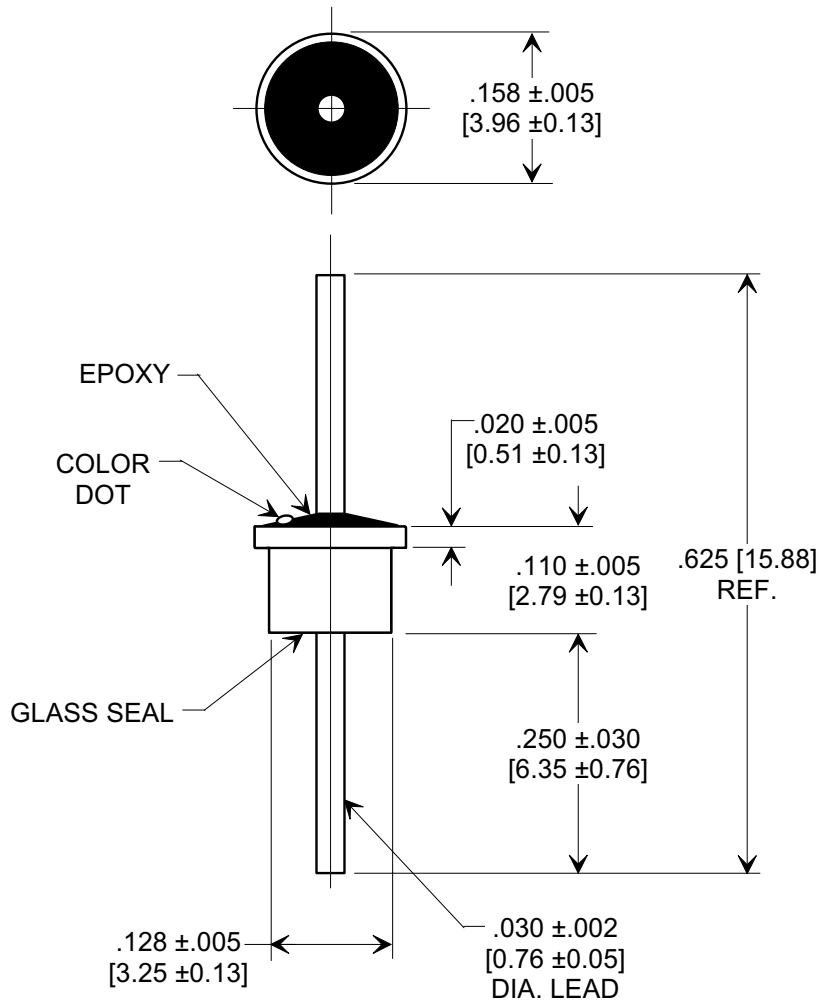


**MARKETING SALES DRAWING**  
 DIMENSIONS IN INCHES - DO NOT SCALE THIS DRAWING  
 DIMENSIONS IN METRIC - [ ]

Electrical Testing  
 per Tusonix standard  
 test plans and Mil-Std-202  
 Test Methods.



**NOTES:**

- Operating temperature range: -55°C to +125°C.
- Gold plated case and lead.
- Epoxy sealed on opposite end from glass seal.
- Max. recommended soldering temperature: 260°C.  
See installation recommendations.
- Recommended mounting hole: .135 dia.
- Solder preform available for mounting.
- Tusonix Standard part number: 4300-004.  
Tusonix RoHS compliant part number: 4300-004 LF.  
Customer must specify Standard or RoHS part number when ordering.
- RoHS compliant part marked with additional dark green dot for identification.

Cx (pF)	TOL.	DC WORKING VOLTAGE		DC CURRENT (AMPS)	MIN. NO LOAD INSERTION LOSS (dB) @ 25° C PER MIL-STD-220					COLOR CODE
		85°C	125°C		1 MHz	10 MHz	100 MHz	1GHz	10 GHz	
5000	GMV	150	100	5	---	15	30	45	55	YELLOW

<b>REVISION RECORD</b>	Original Release	0
	C.O. 2000522-5-01	
	ADDED NOTES 7 & 8.	
	S.M. 05-23-05	
		1
		<b>20050511-2-10</b>

--TOLERANCES-- Unless Otherwise Specified		Title <b>SOLDER MOUNT EMI FILTER</b>	
DECIMAL ±		Drawn S.M. 05-23-00 Scale 5 X	
ANGLES ±		Approved H.R. 05-23-00	
<b>TUSONIX</b> TUCSON, ARIZONA		<b>A</b>	<b>4300-004</b>

X-2015 Rev-0