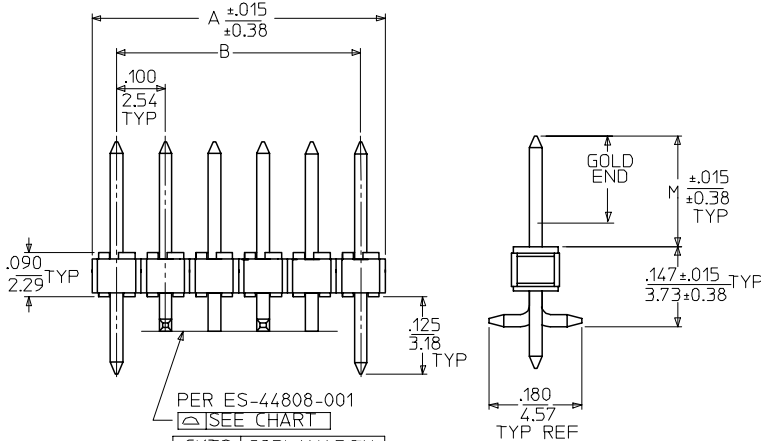
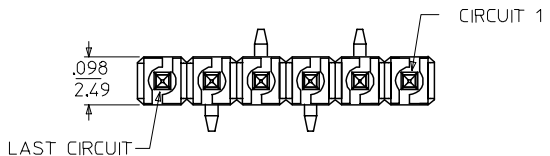
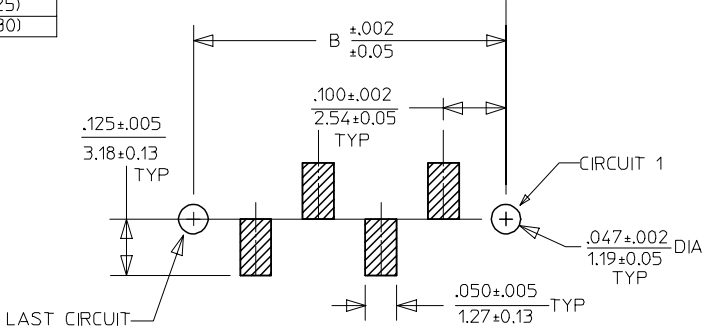


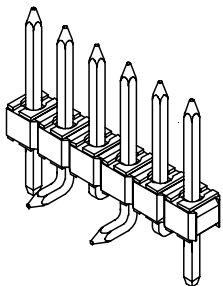
	10	9	8	7	6	5	4	3	2	1
	NO. OF CKTS	A	B							
F	4	.400 10.16	.300 7.62							
	5	.500 12.70	.400 10.16							
	6	.600 15.24	.500 12.70							
	7	.700 17.78	.600 15.24							
E	8	.800 20.32	.700 17.78							
	9	.900 22.86	.800 20.32							
	10	1.000 25.40	.900 22.86							
	11	1.100 27.94	1.000 25.40							
	12	1.200 30.48	1.100 27.94							
D	13	1.300 33.02	1.200 30.48							
	14	1.400 35.56	1.300 33.02							
	15	1.500 38.10	1.400 35.56							
	16	1.600 40.64	1.500 38.10							
C	17	1.700 43.18	1.600 40.64							
	18	1.800 45.72	1.700 43.18							
	19	1.900 48.26	1.800 45.72							
	20	2.000 50.80	1.900 48.26							
B	21	2.100 53.34	2.000 50.80							
	22	2.200 55.88	2.100 53.34							
	23	2.300 58.42	2.200 55.88							
	24	2.400 60.96	2.300 58.42							



CKTS	COPLANARITY
2-6	.006/(0.15)
7-14	.010/(0.25)
15-24	.012/(0.30)

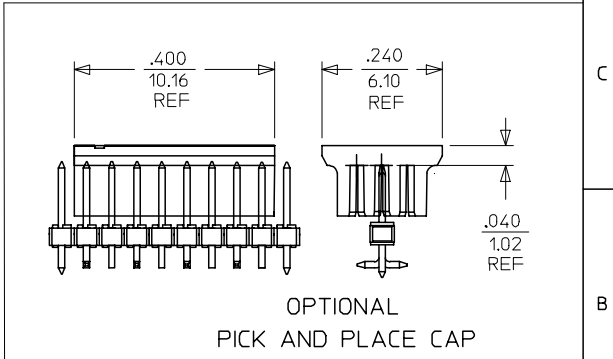


PCB LAYOUT: COMPONENT SIDE



6 CKT ISO SHOWN FOR REF ONLY

- NOTES:
- MATERIAL: HOUSING: 30% GLASS FILLED NYLON 46, COLOR: BLACK
PIN: .025/0.64 SQ PIN: PHOSPHOR BRONZE
 - FINISH: FOR ADDITIONAL PLATING INFORMATION SEE SDES-88.
(154)- OVERALL TIN: .000100/0.00254 MIN. OVER NICKEL: .000050/0.00127 MIN.
(208)- SELECT GOLD: .000015/0.00038 MIN.
SELECT TIN: .000100/0.00254 MIN.
WITH OVERALL NICKEL UNDERPLATE: .000050/0.00127 MIN.
(228)- SELECT GOLD: .000030/0.00076 MIN.
SELECT TIN: .000100/0.00254 MIN.
WITH OVERALL NICKEL UNDERPLATE: .000050/0.00127 MIN.
*THE PRIMARY SHIPPING CARTON WILL BE LABELED "COMPLIANT TO RoHS DIRECTIVE 2002/95/EC AND ELV ANNEX II OF DIRECTIVE 2000/52/EC."
CARTONS WITHOUT THIS LABEL MAY CONTAIN PRODUCT WITH TIN-LEAD PLATING.
 - PRODUCT SPECIFICATION: NONE
 - PACKAGING INFORMATION: PK-44743-006 / PK-89990-514
 - PARTS ARE NOT STACKABLE ON .100/2.54 CENTERS



OPTIONAL PICK AND PLACE CAP

REVISED EC NO: S2007-0909 DRWNS:SKL:IM01 2007/05/04 CHKD:CWLM 2007/05/08 APPR:KWLEE 2007/05/09	QUALITY SYMBOLS ▽=0 ▽=0	GENERAL TOLERANCES (UNLESS SPECIFIED)		DIMENSION STYLE		SCALE	DESIGN UNITS	THIRD ANGLE PROJECTION			
				IN/MM		NTS	INCH				
				mm	INCH	DRAWN BY		TITLE			
						DATE		CUSTOM HEADER			
DESCRIPTION REV	DRAFT WHERE APPLICABLE MUST REMAIN WITHIN DIMENSIONS	4 PLACES ± --- ± ---		DRAWN BY		DATE					
		3 PLACES ± --- ± .005		CHECKED BY		DATE					
		2 PLACES ± 0.13 ± .010		DRAWN BY		DATE					
		1 PLACE ± 0.25 ± ---		CHECKED BY		DATE					
		ANGULAR ±1/2°		APPROVED BY		DATE					
				MARGULIS		2002/10/21					
				MATERIAL NO.		DOCUMENT NO.					
				SEE TABLE		SD-68370-001					
				SIZE		SHEET NO.					
				A3		1 OF 2					
				THIS DRAWING CONTAINS INFORMATION THAT IS PROPRIETARY TO MOLEX INCORPORATED AND SHOULD NOT BE USED WITHOUT WRITTEN PERMISSION							

	10	9	8	7	6	5	4	3	2	1
	MATERIAL NO	OPTIONAL SUB ASSY	PLT REF	DIM M MATING	FINAL NO. OF CKTS	VOID CKT NO.	PACK PER	PICK & PLACE CAP	CUT PIN CKT NO.	OBSOLETE
F	68370-1009	A-42375-0038	208	.240 6.10	3	NONE	PK-44743-006	-	-	X
	68370-1010	A-42375-0039	208	.240 6.10	4	NONE	PK-44743-006	-	-	X
	68370-1006	A-42375-0040	208	.240 6.10	5	NONE	PK-44743-006	-	-	X
	68370-1011	A-42375-0041	208	.240 6.10	6	NONE	PK-44743-006	-	-	X
	68370-1012	A-42375-0042	208	.240 6.10	7	NONE	PK-44743-006	-	-	X
	68370-1013	A-42375-0043	208	.240 6.10	8	NONE	PK-44743-006	-	-	X
E	68370-1014	A-42375-0003	154	.240 6.10	3	NONE	PK-44743-006	-	-	X
	68370-1015	A-42375-0004	154	.240 6.10	4	NONE	PK-44743-006	-	-	X
	68370-1016	A-42375-0005	154	.240 6.10	5	NONE	PK-44743-006	-	-	X
	68370-1017	A-42375-0006	154	.240 6.10	6	NONE	PK-44743-006	-	-	X
	68370-1018	A-42375-0007	154	.240 6.10	7	NONE	PK-44743-006	-	-	X
	68370-1019	A-42375-0008	154	.240 6.10	8	NONE	PK-44743-006	-	-	X
D	68370-1020	A-42375-0073	228	.240 6.10	3	NONE	PK-44743-006	-	-	X
	68370-1021	A-42375-0074	228	.240 6.10	4	NONE	PK-44743-006	-	-	X
	68370-1022	A-42375-0075	228	.240 6.10	5	NONE	PK-44743-006	-	-	X
	68370-1023	A-42375-0076	228	.240 6.10	6	NONE	PK-44743-006	-	-	X
	68370-1024	A-42375-0077	228	.240 6.10	7	NONE	PK-44743-006	-	-	X
	68370-1025	A-42375-0078	228	.240 6.10	8	NONE	PK-44743-006	-	-	X
C	68370-1026	-	228	.605 15.37	8	NONE	PK-89990-514	-	-	
	68370-1027	A-42375-0545	154	.295 7.50	20	NONE	PK-44743-006	-	-	X
	68370-1028	-	228	.860 21.84	8	NONE	PK-89990-514	-	-	X
	68370-1029	-	208	.585 14.86	11	NONE	PK-44743-006	-	-	X
	68370-1030	-	228	.805 20.45	5	NONE	PK-89990-514	-	-	
B	68370-1031	-	228	.713 18.11	8	NONE	PK-89990-514	-	-	

REVISED EC NO: S2007-0909 DRWNS:KLI M01 2007/05/04 CHKD:CWJAM 2007/05/08 APPR:KWLEE 2007/05/09	QUALITY SYMBOLS =0 =0	GENERAL TOLERANCES (UNLESS SPECIFIED)		DIMENSION STYLE IN/MM		SCALE NTS	DESIGN UNITS INCH	THIRD ANGLE PROJECTION	
				DRAWN BY DATE		TITLE CUSTOM HEADER .100/(2.54) SMT WITH THROUGH PIN			
				CHECKED BY DATE					
				APPROVED BY DATE		MOLEX INCORPORATED DOCUMENT NO.			
		DRAFT WHERE APPLICABLE MUST REMAIN WITHIN DIMENSIONS		SEE TABLE		SD-68370-001		SHEET NO. 2 OF 2	