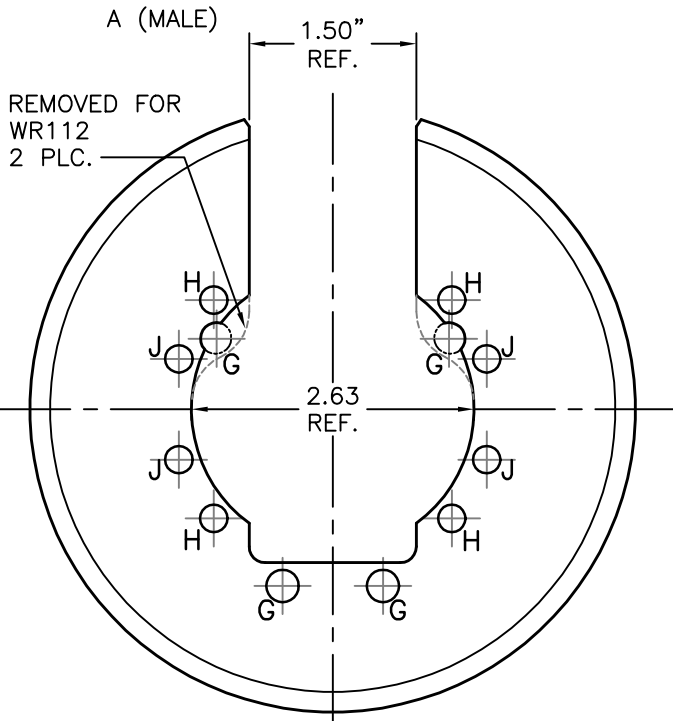
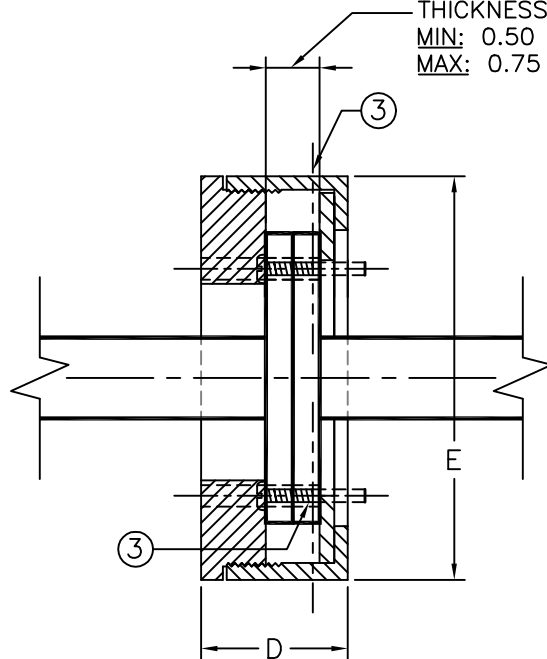
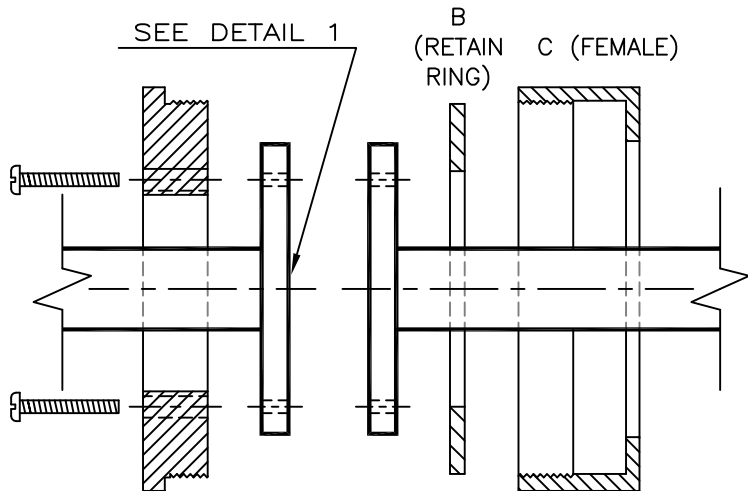


NOTES:

- ① MOUNT MALE TO FLANGE WITH SCREW PROJECTING FOR FLANGE ALIGNMENT. NOTE: FLANGE MUST BE TAPPED.
- ② MOUNT B TO C - SNAP FIT.
- ③ CUT NYLON SCREWS TO LENGTH SO AS NOT TO PROTRUDE THROUGH MATING FLANGE.
- ④ MATE FLANGES & SCREW TIGHT.

REVISIONS				
ZONE	REV	DESCRIPTION	DATE	APPROVED
	A	INITIAL RELEASE	4/11/01	

COMBINED
FLANGE
THICKNESS:
MIN: 0.50
MAX: 0.75



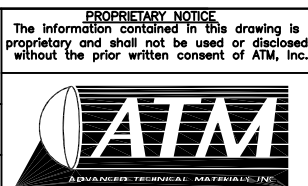
① HOLE LAYOUT

MODEL NO.	DIMENSION	
	D	E
QD-112	1.50 (38.1)	3.75 (95.3)
QD-137	1.50 (38.1)	3.75 (95.3)

FLANGE	HOLE SET
CPR137F/G	G
WR112 COVER	H
CPR112F/G	J

UNLESS OTHERWISE SPECIFIED
DIMENSIONS ARE IN INCHES
TOLERANCES ARE:
FRACTIONS DECIMALS ANGLES
1/64 .01° ±1/2
.005+ -

MATERIAL
6061
Aluminum
FINISH
XXXXX
XXXXX



PROPRIETARY NOTICE
The information contained in this drawing is
proprietary and shall not be used or disclosed
without the prior written consent of ATM, Inc.

DRAWN
R. LYNCH
DATE
4/11/01
CHECKED
APPROVED

ADVANCED TECHNICAL MATERIALS, INC.
49 RIDER AVENUE, PATCHOGUE N.Y. 11772
TEL: (516) 289-0363 FAX: (516) 289-0358

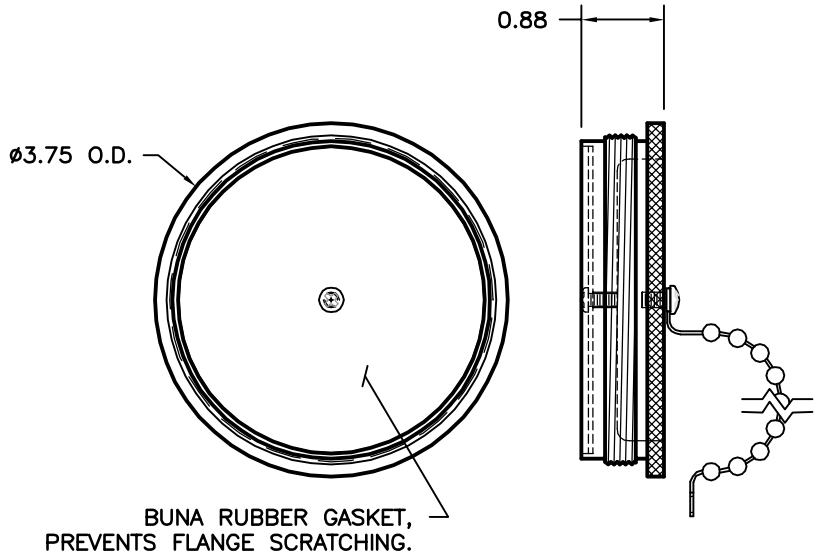
WR112/137 QUICK DISCONNECT
OUTLINE-INSTRUCTION

SIZE A	FSCM NO. OR8N4	DWG NO. 4221	REV A
-----------	-------------------	-----------------	----------

DONOT SCALE DRAWING

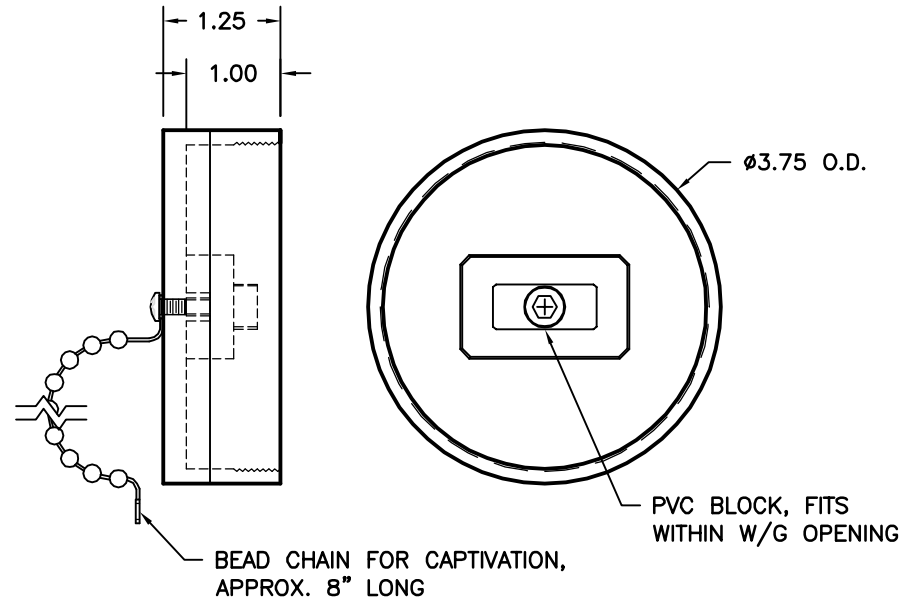
SCALE: None

SHEET 1 OF 1



BUNA RUBBER GASKET,
PREVENTS FLANGE SCRATCHING.

MALE DUSTCOVER
MATES TO FEMALE QUICK DISCONNECT



BEAD CHAIN FOR CAPTIVATION,
APPROX. 8" LONG

PVC BLOCK, FITS
WITHIN W/G OPENING

FEMALE DUSTCOVER
MATES TO MALE QUICK DISCONNECT

MATERIAL	ALUMINUM	TREATMENT	-	DRAWN	RL	DATE	10/12/05
FINISH	BLACK IRIDITE	MOD. NO.	QD-112-M/FDC	CHECKED		DATE	
DUST COVER, WR112 QUICK DISCONNECT						APPROVED	DATE
						CAGE CODE: ORBN4	DO NOT SCALE DWG
						ADVANCED TECHNICAL MATERIALS, INC. 49 RIDER AVE., PATCHOGUE N.Y. 11772 TEL: (631) 289-0363 FAX: (631) 289-0358 http://www.atmmicrowave.com	
				SCALE 1 : 2		DWG. NO. 7444	REV. -