

PLEASE CHECK WWW.MOLEX.COM FOR LATEST PART INFORMATION

Part Number: [0432498918](#)
Status: **Active**
Overview: [modular_plugs_jacks](#)
Description: Modular Jack, Right Angle, Low Profile, 8/8, Panel Stops

Documents:

[3D Model](#) [Product Specification PSX-43249 \(PDF\)](#)
[Drawing \(PDF\)](#) [RoHS Certificate of Compliance \(PDF\)](#)

Agency Certification

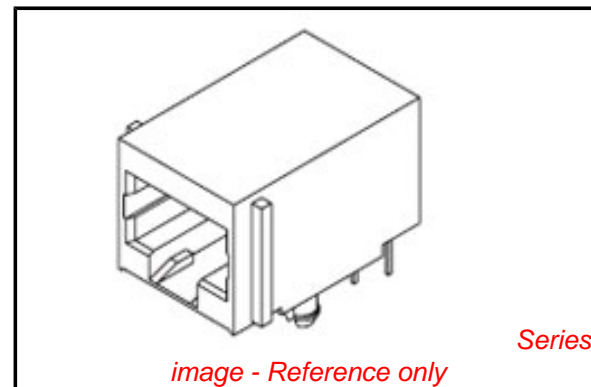
CSA LR19980
 UL E107635

General

Product Family Modular Jacks/Plugs
 Series [43249](#)
 Component Type PCB Jack
 Magnetic No
 Overview [modular_plugs_jacks](#)
 Performance Category 3, 4
 Power over Ethernet (PoE) N/A
 Product Name RJ45

Physical

Boot Color N/A
 Color - Resin Black
 Durability (mating cycles max) 500
 Flammability 94V-0
 Inverted / Top Latch No
 Lightpipes/LEDs None
 Material - Metal Phosphor Bronze
 Material - Plating Mating Gold
 Material - Plating Termination Tin
 Material - Resin High Temperature Thermoplastic
 Orientation Right Angle (Side Entry)
 PCB Locator Yes
 PCB Retention Yes
 PCB Thickness Recommended (in) 0.062 In
 PCB Thickness Recommended (mm) 1.57 mm
 Packaging Type Tray
 Panel Mount With Flange
 Pitch - Mating Interface (in) 0.040 In
 Pitch - Mating Interface (mm) 1.02 mm
 Pitch - Term. Interface (in) 0.050 In
 Pitch - Term. Interface (mm) 1.27 mm
 Plating min: Mating (µin) 50
 Plating min: Mating (µm) 1.25
 Plating min: Termination (µin) 100
 Plating min: Termination (µm) 2.5
 Ports 1
 Positions / Loaded Contacts 8/8
 Surface Mount Compatible (SMC) Yes
 Temperature Range - Operating -40°C to +85°C
 Termination Interface: Style Through Hole
 Waterproof / Dustproof No
 Wire/Cable Type N/A



EU RoHS

**ELV and RoHS
 Compliant**
REACH SVHC
 Not Reviewed
**Halogen-Free
 Status**
Not Reviewed

China RoHS



**Need more information on product
 environmental compliance?**

Email productcompliance@molex.com
 For a multiple part number RoHS Certificate of
 Compliance, [click here](#)

Please visit the [Contact Us](#) section for any
 non-product compliance questions.

Search Parts in this Series

[43249Series](#)

Mates With

FCC 68 Plugs

Electrical

Current - Maximum per Contact	1.5A
Grounding to PCB	Yes
Grounding to Panel	Offset Panel Ground Tabs
Shielded	Yes
Voltage - Maximum	150V AC (RMS)

Solder Process Data

Lead-free Process Capability	Wave Capable (TH only)
------------------------------	------------------------

Material Info**Reference - Drawing Numbers**

Packaging Specification	PK-44050-004
Product Specification	PSX-43249
Sales Drawing	SDA-43249

This document was generated on 06/07/2010

PLEASE CHECK WWW.MOLEX.COM FOR LATEST PART INFORMATION

NOTES:

1) MATERIAL:

HOUSING: NYLON(PA), GLASS FILLED, UL94V-0, COLOR: BLACK
 INSULATOR: NYLON(PA), GLASS FILLED, UL94V-0, COLOR: BLACK
 TERMINALS: PHOSPHOR BRONZE, .012/(0.30) THICK
 SHIELD: BRASS, .007/(0.18) THICK

2) FINISH:

TERMINALS:

- A = SELECT GOLD IN CONTACT AREA: 50 MICROINCHES / 1.27 MICROMETERS MIN.,
 *SELECT TIN IN PC TAIL AREA: 100 MICROINCHES / 2.54 MICROMETERS MIN.,
 WITH OVERALL NICKEL UNDERPLATE: 50 MICROINCHES / 1.27 MICROMETERS MIN.
- B = SELECT GOLD IN CONTACT AREA: 30 MICROINCHES / 0.76 MICROMETERS MIN.,
 *SELECT TIN IN PC TAIL AREA: 100 MICROINCHES / 2.54 MICROMETERS MIN.,
 WITH OVERALL NICKEL UNDERPLATE: 50 MICROINCHES / 1.27 MICROMETERS MIN.

SHIELD:

- *100 MICROINCHES / 2.54 MICROMETERS NICKEL OVER 50 MICROINCHES / 1.27 MICROMETERS COPPER UNDERPLATE, PCB GROUND TABS DIPPED IN TIN
- *THE PRIMARY SHIPPING CARTON WILL BE LABELED "COMPLIANT TO RoHS DIRECTIVE 2002/95/EC AND ELV ANNEX II OF DIRECTIVE 2000/53/EC". CARTONS WITHOUT THIS LABEL MAY CONTAIN PRODUCT WITH TIN-LEAD IN THE PC TAILS AND/OR SHIELD.

3) PRODUCT SPECIFICATION AND PROCESSING PARAMETERS: PS-43249.

4) PACKAGING SPECIFICATION:

- UNSHIELDED CONNECTOR ASSEMBLIES PACKAGED IN THERMOFORMED TRAYS PER MOLEX PACKAGING SPECIFICATION PK-43249-004.
- UNSHIELDED CONNECTOR ASSEMBLIES PACKAGED IN TUBES PER MOLEX PACKAGING SPECIFICATION PK-43249-005.
- SHIELDED CONNECTOR ASSEMBLIES PACKAGED IN THERMOFORMED TRAYS PER MOLEX PACKAGING SPECIFICATION PK-44050-004.

5) MATES WITH: MODULAR PLUGS THAT CONFORM TO FCC REGULATION PART 68.5.

6) SEE SHEET 3 FOR SHIELDED JACK ASSEMBLY.

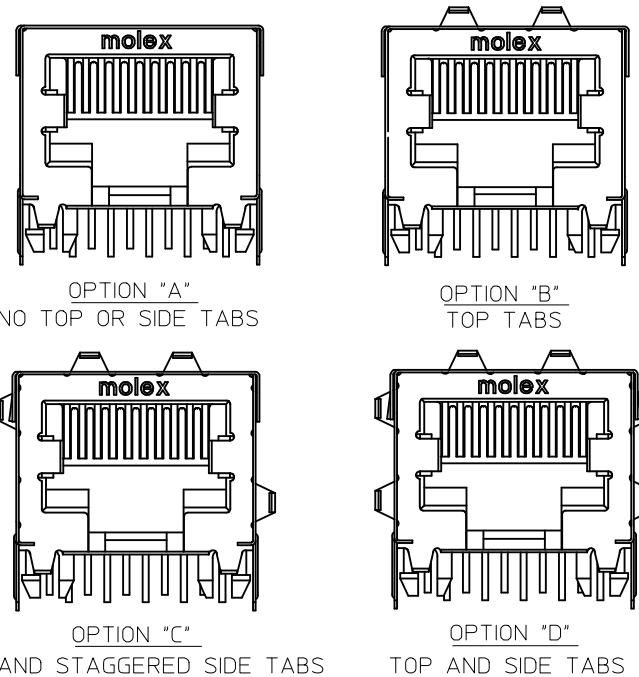
7) SEE SHEETS 5 & 6 FOR P.C. BOARD LAYOUTS.

8) ALL UNTOLERANCED DIMENSIONS ARE SHOWN FOR REFERENCE ONLY.

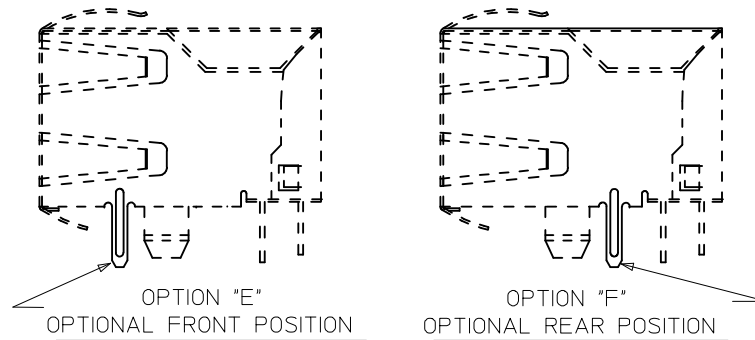
9) THIS PART CONFORMS TO CLASS B REQUIREMENTS OF COSMETIC SPECIFICATION PS-45499-002.

10) THIS PART CONFORMS TO FCC REGULATION 68.5 AND TIA 1096 FOR MODULAR JACKS.

SIDE/TOP GROUND TAB OPTIONS FOR SHIELDS



BOTTOM PCB GROUND TAB OPTIONS FOR SHIELDS



NOTE: EITHER PCB GROUND TAB OPTION IS AVAILABLE ON ALL SIDE/TOP TAB CONFIGURATIONS

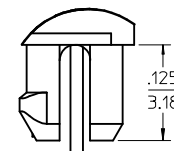
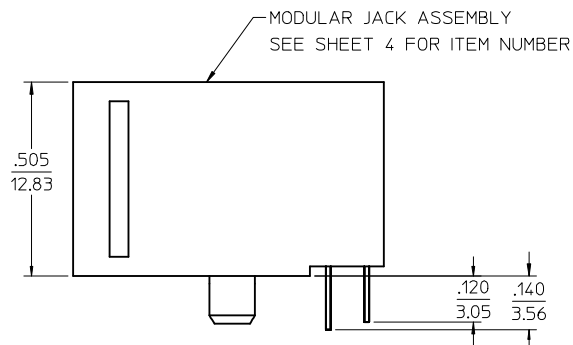
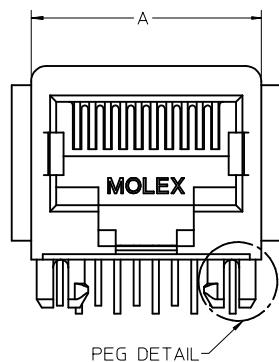
DRAWING LEGEND

- SHEET 1- NOTES, GROUND TAB OPTIONS
- SHEET 2- UNSHIELDED MODULAR JACK
- SHEET 3- SHIELDED MODULAR JACK WITH OPTIONAL SIDE/TOP GROUND TABS & BOTTOM GROUND TAB WITH OPTIONAL POSITION.
- SHEET 4- PART NUMBER CHARTS
- SHEET 5- FOOTPRINT LAYOUT FOR 8 POSITION HOUSING
- SHEET 6- FOOTPRINT LAYOUT FOR 6 POSITION HOUSING

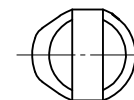
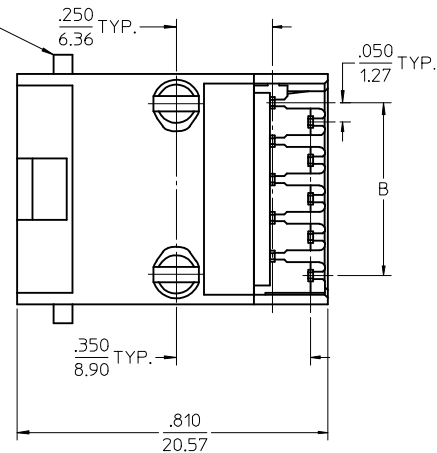
ADDED NOTE 10 EC NO: UCP2009-0740 DRWN:JKLOSTER/ER 2008/09/29 CHKD:JBELL 2008/10/03 APPR:FSMITH 2008/10/03 REV:	QUALITY SYMBOLS ▽=0 ▽=0	GENERAL TOLERANCES (UNLESS SPECIFIED) <table border="1"> <tr> <th></th> <th>mm</th> <th>INCH</th> </tr> <tr> <td>4 PLACES</td> <td>± .---</td> <td>± .---</td> </tr> <tr> <td>3 PLACES</td> <td>± .---</td> <td>± .010</td> </tr> <tr> <td>2 PLACES</td> <td>± 0.25</td> <td>± .---</td> </tr> <tr> <td>1 PLACE</td> <td>± .---</td> <td>± .---</td> </tr> </table> ANGULAR ±1/2°		mm	INCH	4 PLACES	± .---	± .---	3 PLACES	± .---	± .010	2 PLACES	± 0.25	± .---	1 PLACE	± .---	± .---	DIMENSION STYLE IN/MM DRAWN BY DATE JTR 1993/06/23 CHECKED BY DATE JTR 1993/06/23 APPROVED BY DATE RAS 1993/06/23	SCALE 4:1 DESIGN UNITS INCH THIRD ANGLE PROJECTION	TITLE LOW PROFILE RIGHT ANGLE MODULAR JACK ASSEMBLY
		mm	INCH																	
	4 PLACES	± .---	± .---																	
	3 PLACES	± .---	± .010																	
2 PLACES	± 0.25	± .---																		
1 PLACE	± .---	± .---																		
DRAFT WHERE APPLICABLE MUST REMAIN WITHIN DIMENSIONS	MATERIAL NO. SEE SHEET 4	MOLEX INCORPORATED DOCUMENT NO. SDA-43249	SHEET NO. 1 OF 6																	
THIS DRAWING CONTAINS INFORMATION THAT IS PROPRIETARY TO MOLEX INCORPORATED AND SHOULD NOT BE USED WITHOUT WRITTEN PERMISSION																				

UNSHIELDED MODULAR JACK

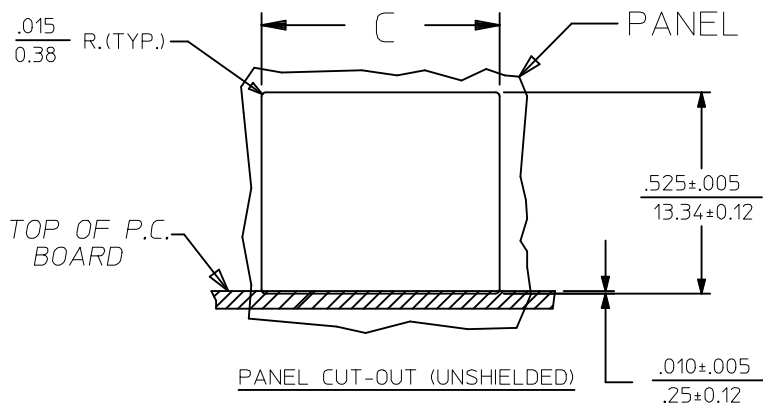
8 POSITION LOADED 10 SIZE SHOWN



OPTIONAL FLANGE USED FOR FLUSH MODULAR JACK



PEG DETAIL SCALE 8:1



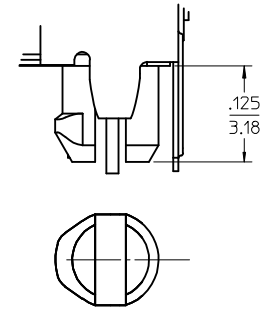
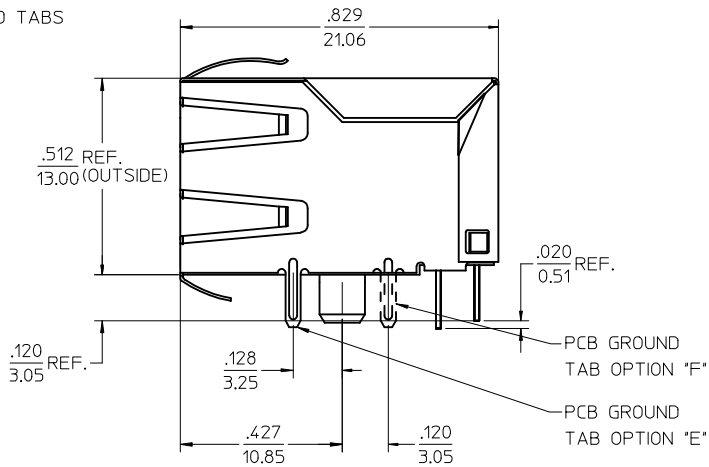
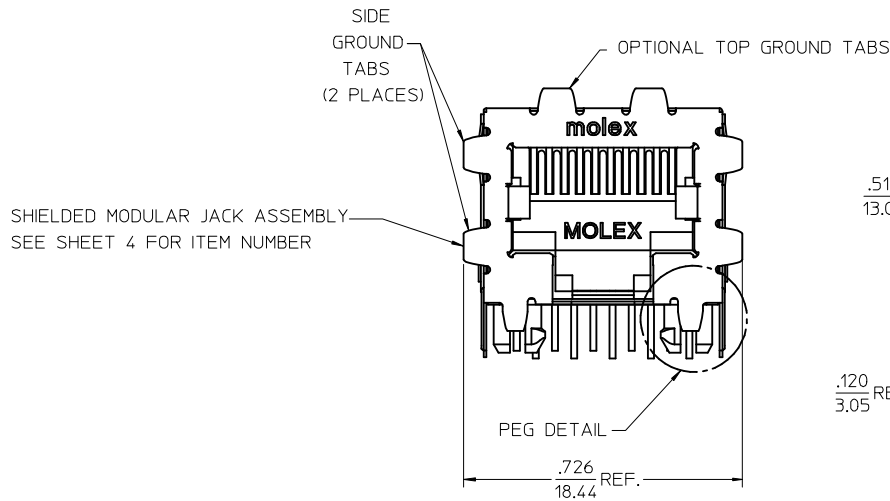
HOUSING SIZE	CIRCUIT SIZE	DIM. A	DIM. B	DIM. C
8	10	.600±.005 (15.24±0.13)	.450±.005 (11.43±0.13)	.620±.005 (15.75±0.13)
8	8	.600±.005 (15.24±0.13)	.350±.005 (8.89±0.13)	.620±.005 (15.75±0.13)
8	4	.600±.005 (15.24±0.13)	.150±.005 (3.81±0.13)	.620±.005 (15.75±0.13)
8	6	.600±.005 (15.24±0.13)	.250±.005 (6.35±0.13)	.620±.005 (15.75±0.13)
6	6	.520±.005 (13.21±0.13)	.250±.005 (6.35±0.13)	.540±.005 (13.72±0.13)
6	4	.520±.005 (13.21±0.13)	.150±.005 (3.81±0.13)	.540±.005 (13.72±0.13)
6	2	.520±.005 (13.21±0.13)	.050±.005 (1.27±0.13)	.540±.005 (13.72±0.13)

SEE SHEET 1 EC NO: UCP2009-0740 DRWN: KLOSTEMEIER 2008/09/29 CHKD: JEBEL 2008/10/03 APPR: FSMITH 2008/10/03	QUALITY SYMBOLS ▽=0 ▽=0	GENERAL TOLERANCES (UNLESS SPECIFIED)		DIMENSION STYLE IN/MM		SCALE 4:1	DESIGN UNITS INCH	THIRD ANGLE PROJECTION	
		4 PLACES ± --- ± --- 3 PLACES ± --- ± .010 2 PLACES ± 0.25 ± --- 1 PLACE ± --- ± --- ANGULAR ± 1/2°	mm INCH	DRAWN BY JTR	DATE 1993/06/23	TITLE LOW PROFILE RIGHT ANGLE MODULAR JACK ASSEMBLY			
K1	DESCRIPTION	DRAFT WHERE APPLICABLE MUST REMAIN WITHIN DIMENSIONS		APPROVED BY RAS		DATE 1993/06/23		MOLEX INCORPORATED	
		SEE SHEET 4		MATERIAL NO. SDA-43249		DOCUMENT NO.		SHEET NO. 2 OF 6	

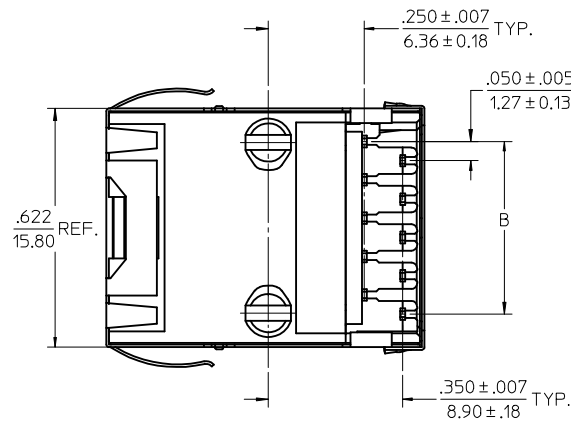
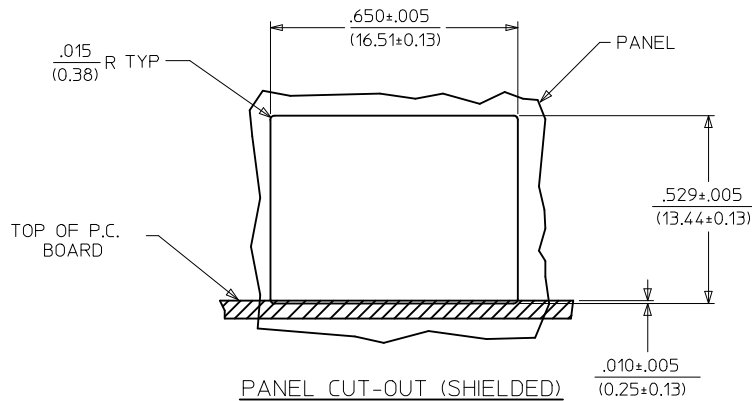
THIS DRAWING CONTAINS INFORMATION THAT IS PROPRIETARY TO MOLEX INCORPORATED AND SHOULD NOT BE USED WITHOUT WRITTEN PERMISSION

MODULAR JACK W/ .007" THICK SHIELD AND OPTIONAL GROUND TABS

8 LOADED 10 VERSION SHOWN WITH GROUND TAB OPTIONS "D" AND "E"



PEG DETAIL
SCALE 8:1



DESCRIPTION OF GROUND TAB OPTIONS:
(SEE SHEET 4 FOR AVAILABLE COMBINATIONS OF OPTIONS)

GROUND TAB OPTION	DESCRIPTION
A	NO GROUND TABS
B	TOP TABS ONLY
C	STAGGERED SIDE TABS
D	TOP AND SIDE TABS
E	PCB GROUND TAB IN FRONT POSITION
F	PCB GROUND TAB IN REAR POSITION

HOUSING SIZE	CIRCUIT SIZE	B
8	10	.450±.005 11.43±0.13
8	8	.350±.005 8.89±0.13

SEE SHEET 1 EC NO: UCP2009-0740 DRWN:KLOSTEMEIER 2008/09/29 CHKD:JHELL 2008/10/03 APPR:FSMITH 2008/10/03	QUALITY SYMBOLS ▽=0 ▽=0	GENERAL TOLERANCES (UNLESS SPECIFIED) <table border="1"> <thead> <tr> <th></th> <th>mm</th> <th>INCH</th> </tr> </thead> <tbody> <tr> <td>4 PLACES ±</td> <td>---</td> <td>---</td> </tr> <tr> <td>3 PLACES ±</td> <td>---</td> <td>±.010</td> </tr> <tr> <td>2 PLACES ±</td> <td>0.25</td> <td>---</td> </tr> <tr> <td>1 PLACE ±</td> <td>---</td> <td>---</td> </tr> </tbody> </table> ANGULAR ±1/2°		mm	INCH	4 PLACES ±	---	---	3 PLACES ±	---	±.010	2 PLACES ±	0.25	---	1 PLACE ±	---	---	DIMENSION STYLE IN/MM	SCALE 4:1	DESIGN UNITS INCH	THIRD ANGLE PROJECTION
		mm	INCH																		
	4 PLACES ±	---	---																		
	3 PLACES ±	---	±.010																		
2 PLACES ±	0.25	---																			
1 PLACE ±	---	---																			
DRAWN BY JTR	DATE 1993/06/23	TITLE LOW PROFILE RIGHT ANGLE MODULAR JACK ASSEMBLY																			
CHECKED BY JTR	DATE 1993/06/23	APPROVED BY RAS																			
DATE 1993/06/23	MATERIAL NO. SEE SHEET 4	DOCUMENT NO. SDA-43249	SHEET NO. 3 OF 6	THIS DRAWING CONTAINS INFORMATION THAT IS PROPRIETARY TO MOLEX INCORPORATED AND SHOULD NOT BE USED WITHOUT WRITTEN PERMISSION																	

FLUSH MOUNT (UNSHIELDED)

ASSEMBLY ITEM NUMBER	CONNECTOR SIZE	NUMBER OF CIRCUITS	TERMINAL PLATING OPTION
43249-8001	8	10	A
43249-8004	8	8	A
43249-8010	8	6	A
43249-6001	6	6	A
43249-6004	6	4	A
43249-6007	6	2	A

FLANGELESS (UNSHIELDED)

ASSEMBLY ITEM NUMBER	CONNECTOR SIZE	NUMBER OF CIRCUITS	TERMINAL PLATING OPTION
43249-8101	8	10	A
43249-8102	8	10	B
43249-8104	8	8	A
43249-8105	8	8	B
43249-8116	8	6	A
43249-8119	8	4	A
43249-6101	6	6	A
43249-6104	6	4	A
43249-6107	6	2	A

FLANGELESS (UNSHIELDED)

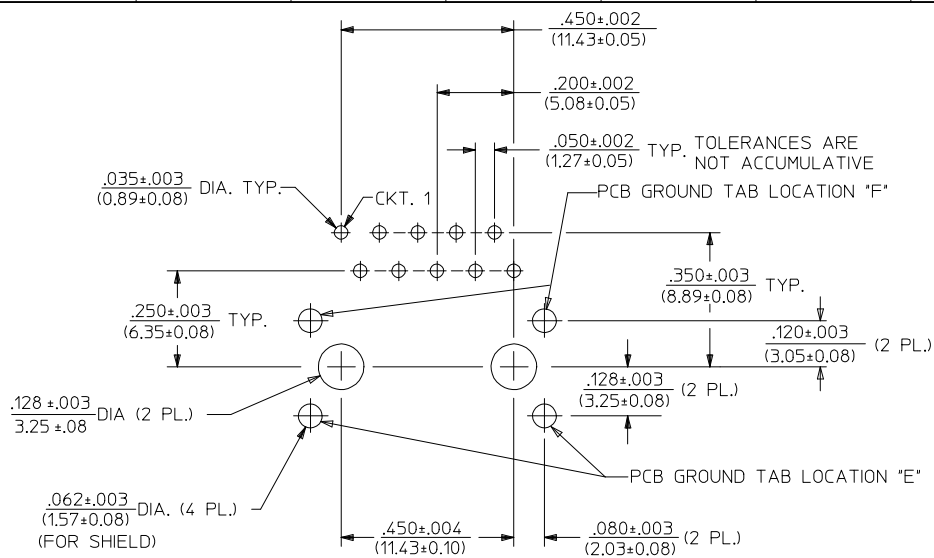
(SHIPPED IN TUBES)

43249-6501	6	6	A
43249-6504	6	4	A

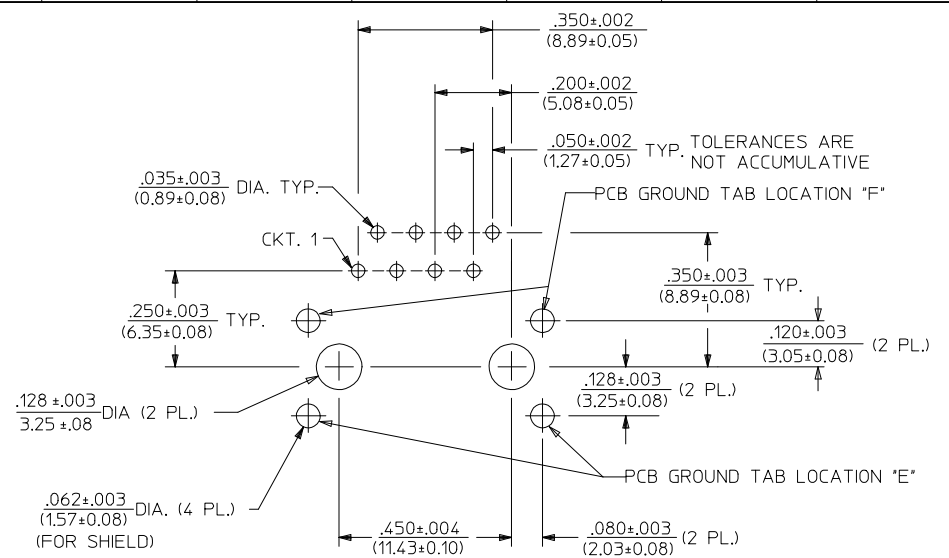
SHIELDED, .007" THICK

ASSEMBLY ITEM NUMBER	CONN. SIZE	NUMBER OF CIRCUITS	TERMINAL PLATING OPTION	SIDE/TOP PANEL GROUND TAB OPTION	PCB GROUND TAB OPTION	PACKAGING OPTION
43249-8900	8	10	A	A	E	TRAY
43249-8901	8	10	A	B	E	TRAY
43249-8902	8	10	A	C	E	TRAY
43249-8903	8	10	A	D	E	TRAY
43249-8908	8	10	A	A	F	TRAY
43249-8909	8	10	A	B	F	TRAY
43249-8910	8	10	A	C	F	TRAY
43249-8911	8	10	A	D	F	TRAY
43249-8916	8	8	A	A	E	TRAY
43249-8917	8	8	A	B	E	TRAY
43249-8918	8	8	A	C	E	TRAY
43249-8919	8	8	A	D	E	TRAY
43249-8920	8	8	B	A	E	TRAY
43249-8924	8	8	A	A	F	TRAY
43249-8925	8	8	A	B	F	TRAY
43249-8926	8	8	A	C	F	TRAY
43249-8927	8	8	A	D	F	TRAY

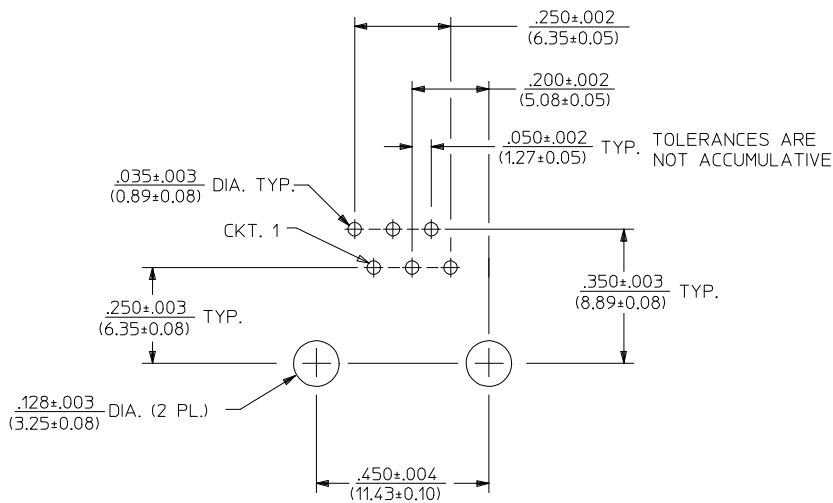
SEE SHEET 1 EC NO: UCP2009-0740 DRWN:KLOSTEMEIER 2008/09/29 CHKD:JBELL 2008/10/03 APPR:FSMTH 2008/10/03	QUALITY SYMBOLS ▽=0 ▽=0	GENERAL TOLERANCES (UNLESS SPECIFIED) <table border="1"> <thead> <tr> <th></th> <th>mm</th> <th>INCH</th> </tr> </thead> <tbody> <tr><td>4 PLACES</td><td>± .005</td><td>± .0005</td></tr> <tr><td>3 PLACES</td><td>± .005</td><td>± .010</td></tr> <tr><td>2 PLACES</td><td>± 0.25</td><td>± .010</td></tr> <tr><td>1 PLACE</td><td>± .005</td><td>± .005</td></tr> </tbody> </table> ANGULAR ±1/2°		mm	INCH	4 PLACES	± .005	± .0005	3 PLACES	± .005	± .010	2 PLACES	± 0.25	± .010	1 PLACE	± .005	± .005	DIMENSION STYLE IN/MM DRAWN BY DATE JTR 1993/06/23 CHECKED BY DATE JTR 1993/06/23 APPROVED BY DATE RAS 1993/06/23	SCALE 4:1 DESIGN UNITS INCH THIRD ANGLE PROJECTION	TITLE LOW PROFILE RIGHT ANGLE MODULAR JACK ASSEMBLY
		mm	INCH																	
	4 PLACES	± .005	± .0005																	
	3 PLACES	± .005	± .010																	
2 PLACES	± 0.25	± .010																		
1 PLACE	± .005	± .005																		
MATERIAL NO. SEE CHART	DOCUMENT NO. SDA-43249	SHEET NO. 4 OF 6																		
DRAFT WHERE APPLICABLE MUST REMAIN WITHIN DIMENSIONS			THIS DRAWING CONTAINS INFORMATION THAT IS PROPRIETARY TO MOLEX INCORPORATED AND SHOULD NOT BE USED WITHOUT WRITTEN PERMISSION																	
REV K1	DESCRIPTION																			



PC BOARD LAYOUT FOR SIZE 8, 10 CIRCUIT
(COMPONENT SIDE OF BOARD)



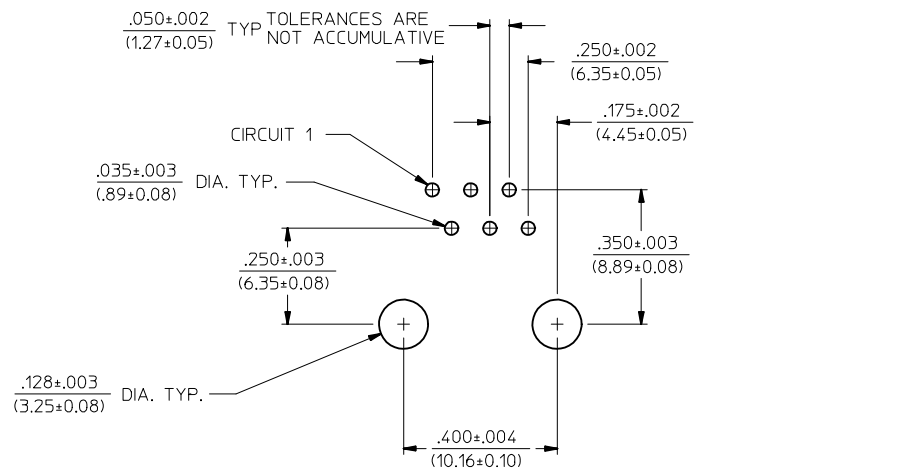
PC BOARD LAYOUT FOR SIZE 8, 8 CIRCUIT
(COMPONENT SIDE OF BOARD)



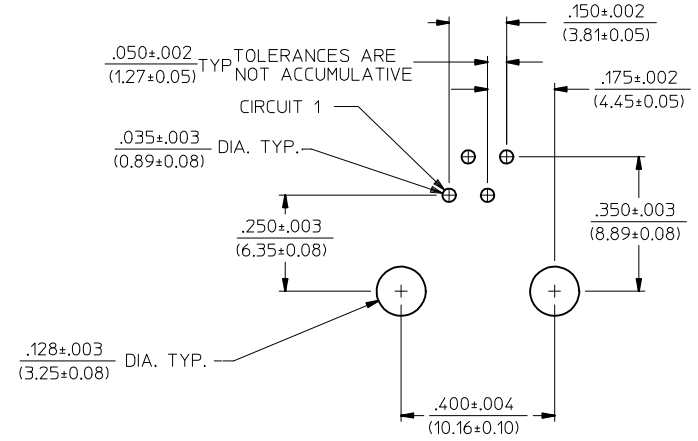
PC BOARD LAYOUT FOR SIZE 8, 6 CIRCUIT
(COMPONENT SIDE OF BOARD)

NOTES:
1. RECOMMENDED PCB THICKNESS: .062 ± .005 (1.57 ± 0.13)

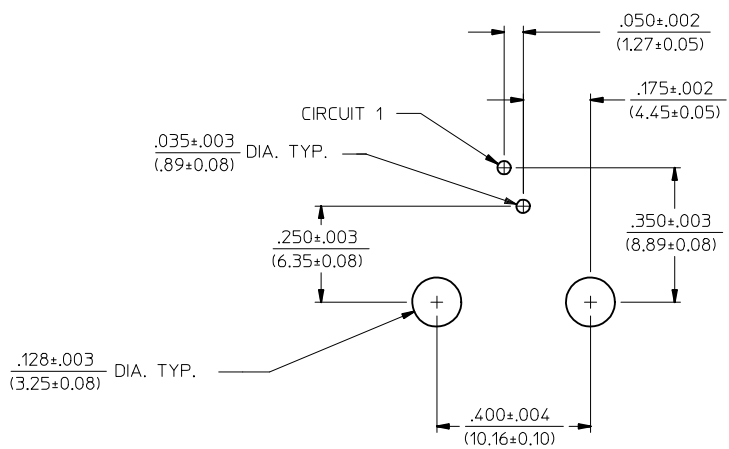
SEE SHEET 1 EC NO: UCP2009-0740 DRAWN: KLOSTEMEIER 2008/09/29 CHKD: J.BELL 2008/10/03 APPR: F.SMITH 2008/10/03	QUALITY SYMBOLS ▽=0 ▽=0	GENERAL TOLERANCES (UNLESS SPECIFIED)		DIMENSION STYLE IN/MM		SCALE 4:1	DESIGN UNITS INCH	THIRD ANGLE PROJECTION	
		mm	INCH	DRAWN BY JTR	DATE 1993/06/23	TITLE LOW PROFILE RIGHT ANGLE MODULAR JACK ASSEMBLY			
K1	DESCRIPTION REV	4 PLACES ± --- ± ---	3 PLACES ± --- ± .010	CHECKED BY JTR	DATE 1993/06/23	MOLEX INCORPORATED			
		2 PLACES ± 0.25 ± ---	1 PLACE ± --- ± ---	APPROVED BY RAS	DATE 1993/06/23				
DRAFT WHERE APPLICABLE MUST REMAIN WITHIN DIMENSIONS		ANGULAR ± 1/2°		MATERIAL NO. SEE SHEET 4		DOCUMENT NO. SDA-43249		SHEET NO. 5 OF 6	
THIS DRAWING CONTAINS INFORMATION THAT IS PROPRIETARY TO MOLEX INCORPORATED AND SHOULD NOT BE USED WITHOUT WRITTEN PERMISSION									



PC BOARD LAYOUT FOR SIZE 6, 6 CIRCUIT
(COMPONENT SIDE OF BOARD)



PC BOARD LAYOUT FOR SIZE 6, 4 CIRCUIT
(COMPONENT SIDE OF BOARD)



PC BOARD LAYOUT FOR SIZE 6, 2 CIRCUIT
(COMPONENT SIDE OF BOARD)

NOTES:
1. RECOMMENDED PCB THICKNESS: .062±.005/(1.57±0.13)

SEE SHEET 1 IEC NO: UCP2009-0740 DRWN: KLOSTEMEIER 2008/09/29 CHKD: JELL 2008/10/03 APPR: FSMITH 2008/10/03	DESCRIPTION K1	QUALITY SYMBOLS	GENERAL TOLERANCES (UNLESS SPECIFIED)	DIMENSION STYLE	SCALE	DESIGN UNITS	THIRD ANGLE PROJECTION																							
		$\nabla=0$ $\nabla=0$	<table border="1"> <tr> <th></th> <th>mm</th> <th>INCH</th> </tr> <tr> <td>4 PLACES</td> <td>± .010</td> <td>± .004</td> </tr> <tr> <td>3 PLACES</td> <td>± .010</td> <td>± .004</td> </tr> <tr> <td>2 PLACES</td> <td>± 0.25</td> <td>± .010</td> </tr> <tr> <td>1 PLACE</td> <td>± .010</td> <td>± .004</td> </tr> </table>		mm	INCH	4 PLACES	± .010	± .004	3 PLACES	± .010	± .004	2 PLACES	± 0.25	± .010	1 PLACE	± .010	± .004	<table border="1"> <tr> <th>IN/MM</th> <th>DATE</th> </tr> <tr> <td>DRAWN BY</td> <td>JTR 1993/06/23</td> </tr> <tr> <td>CHECKED BY</td> <td>JTR 1993/06/23</td> </tr> <tr> <td>APPROVED BY</td> <td>RAS 1993/06/23</td> </tr> </table>	IN/MM	DATE	DRAWN BY	JTR 1993/06/23	CHECKED BY	JTR 1993/06/23	APPROVED BY	RAS 1993/06/23	4:1	INCH	
			mm	INCH																										
		4 PLACES	± .010	± .004																										
3 PLACES	± .010	± .004																												
2 PLACES	± 0.25	± .010																												
1 PLACE	± .010	± .004																												
IN/MM	DATE																													
DRAWN BY	JTR 1993/06/23																													
CHECKED BY	JTR 1993/06/23																													
APPROVED BY	RAS 1993/06/23																													
DRAFT WHERE APPLICABLE MUST REMAIN WITHIN DIMENSIONS			MATERIAL NO. SEE SHEET 4	TITLE LOW PROFILE RIGHT ANGLE MODULAR JACK ASSEMBLY	MOLEX INCORPORATED	SHEET NO. 6 OF 6																								