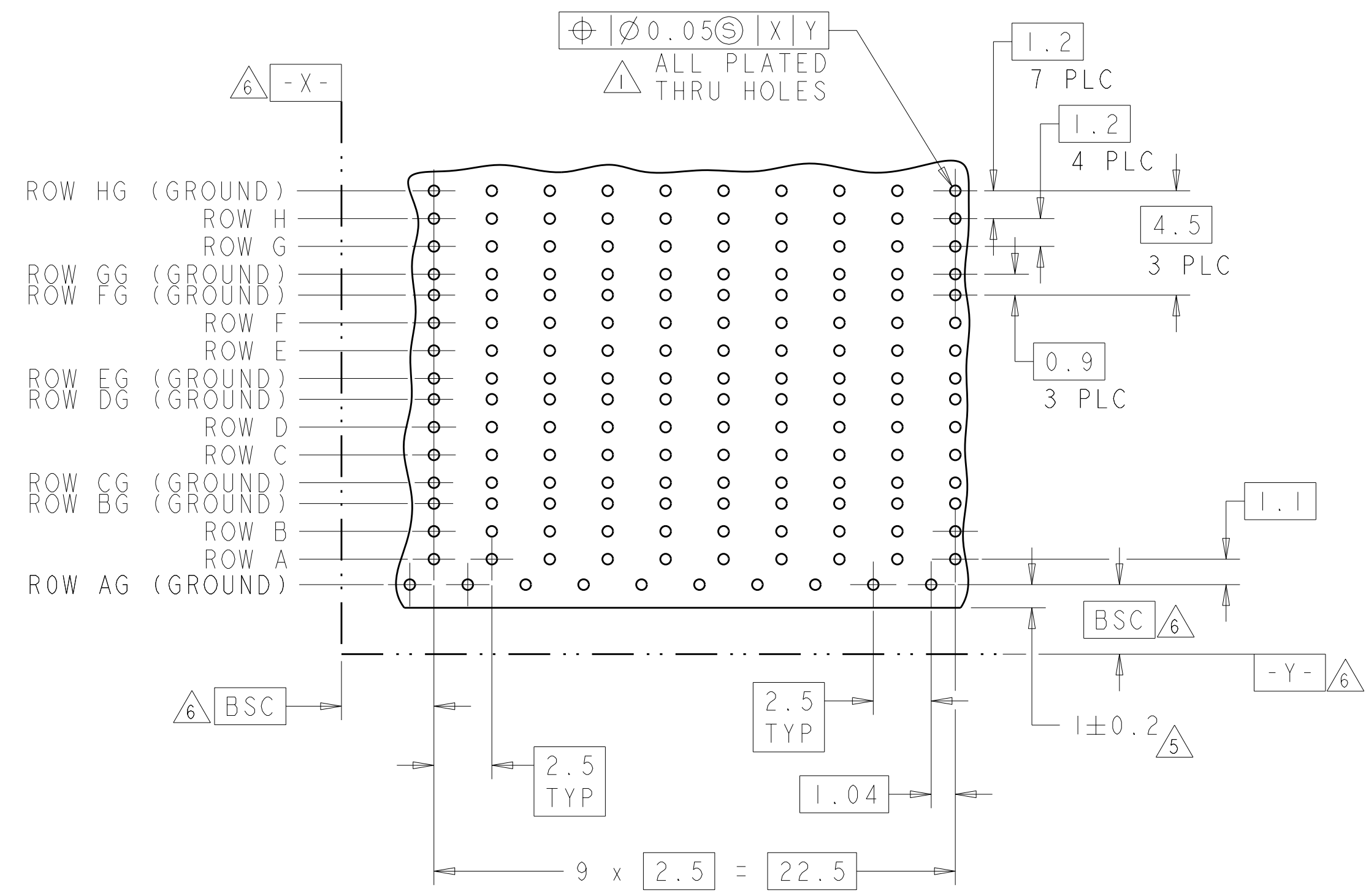
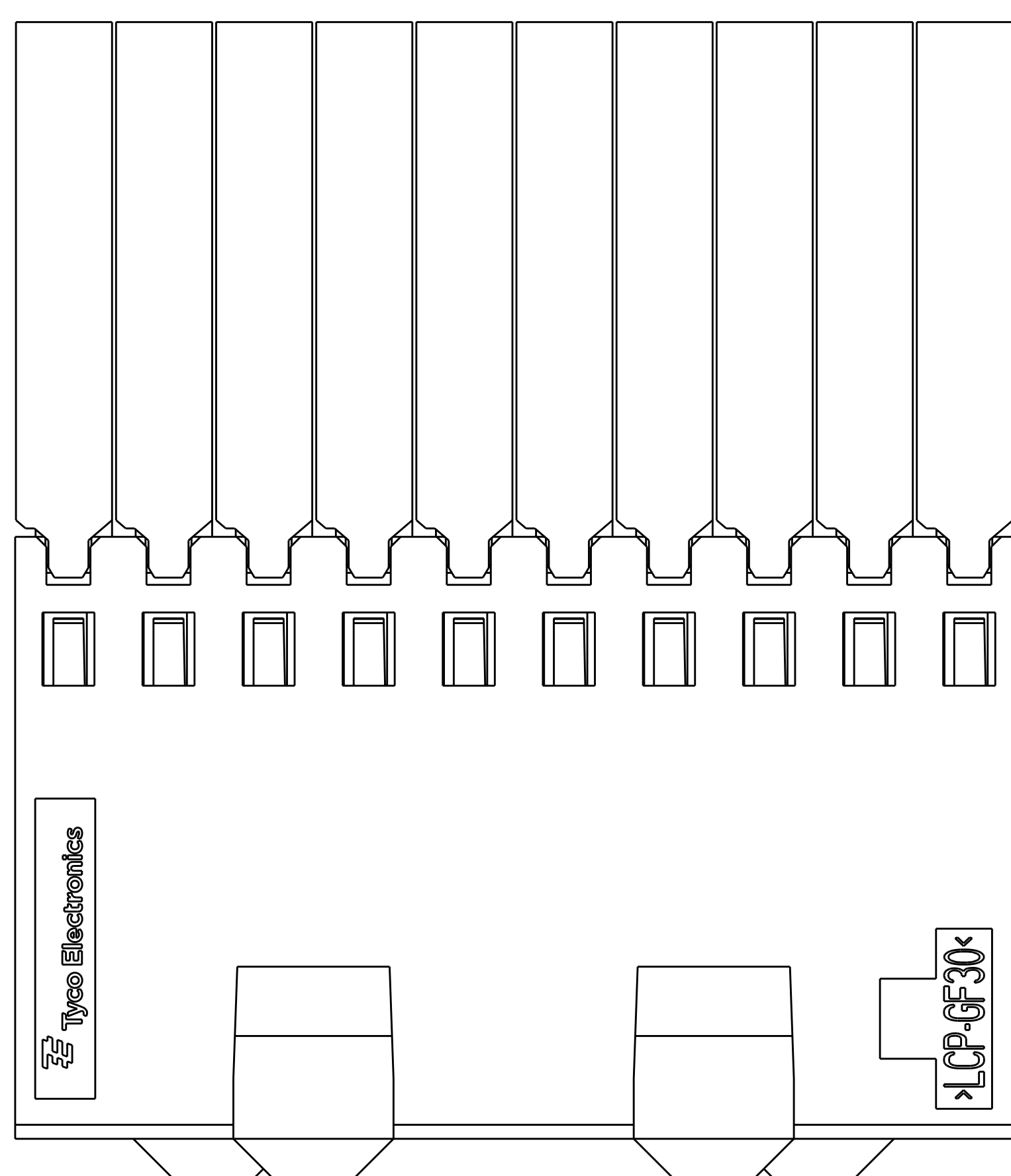
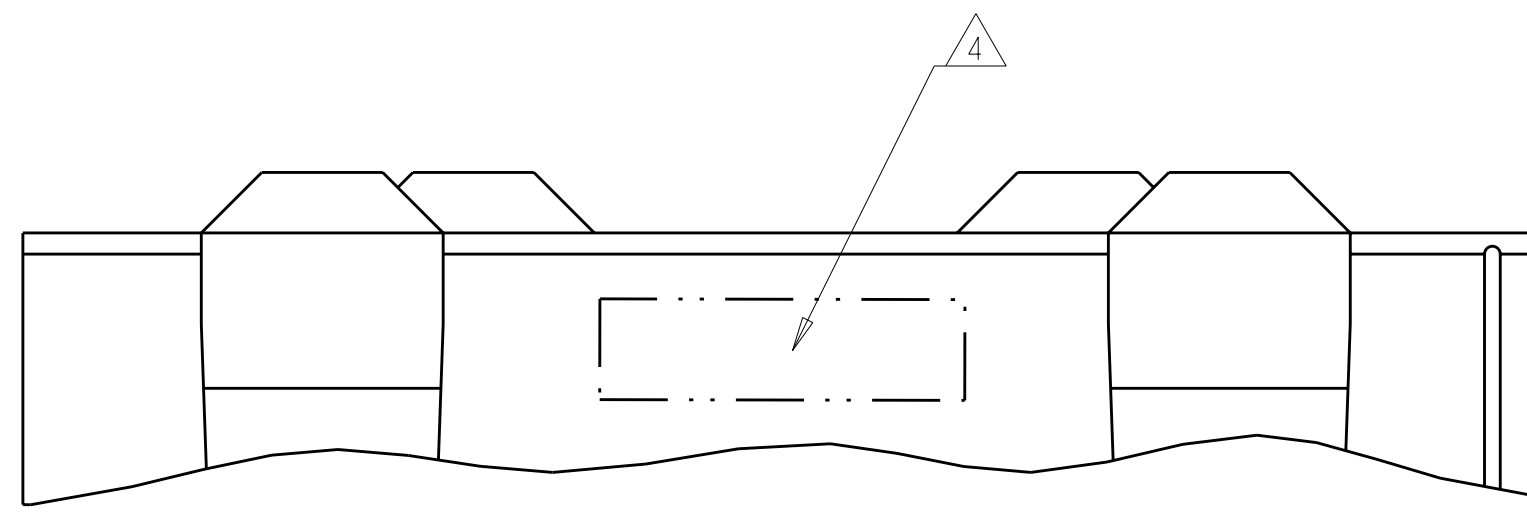
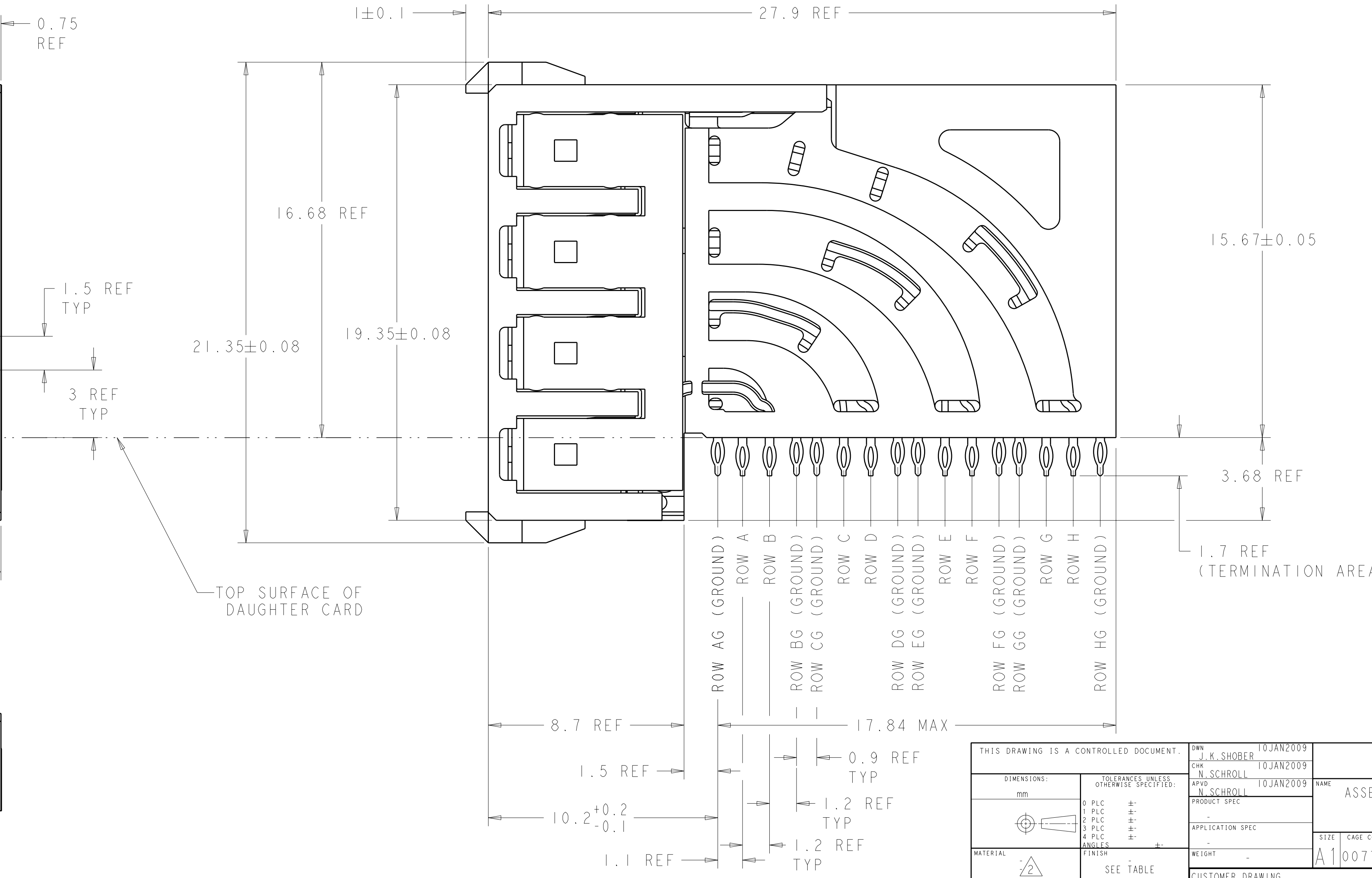
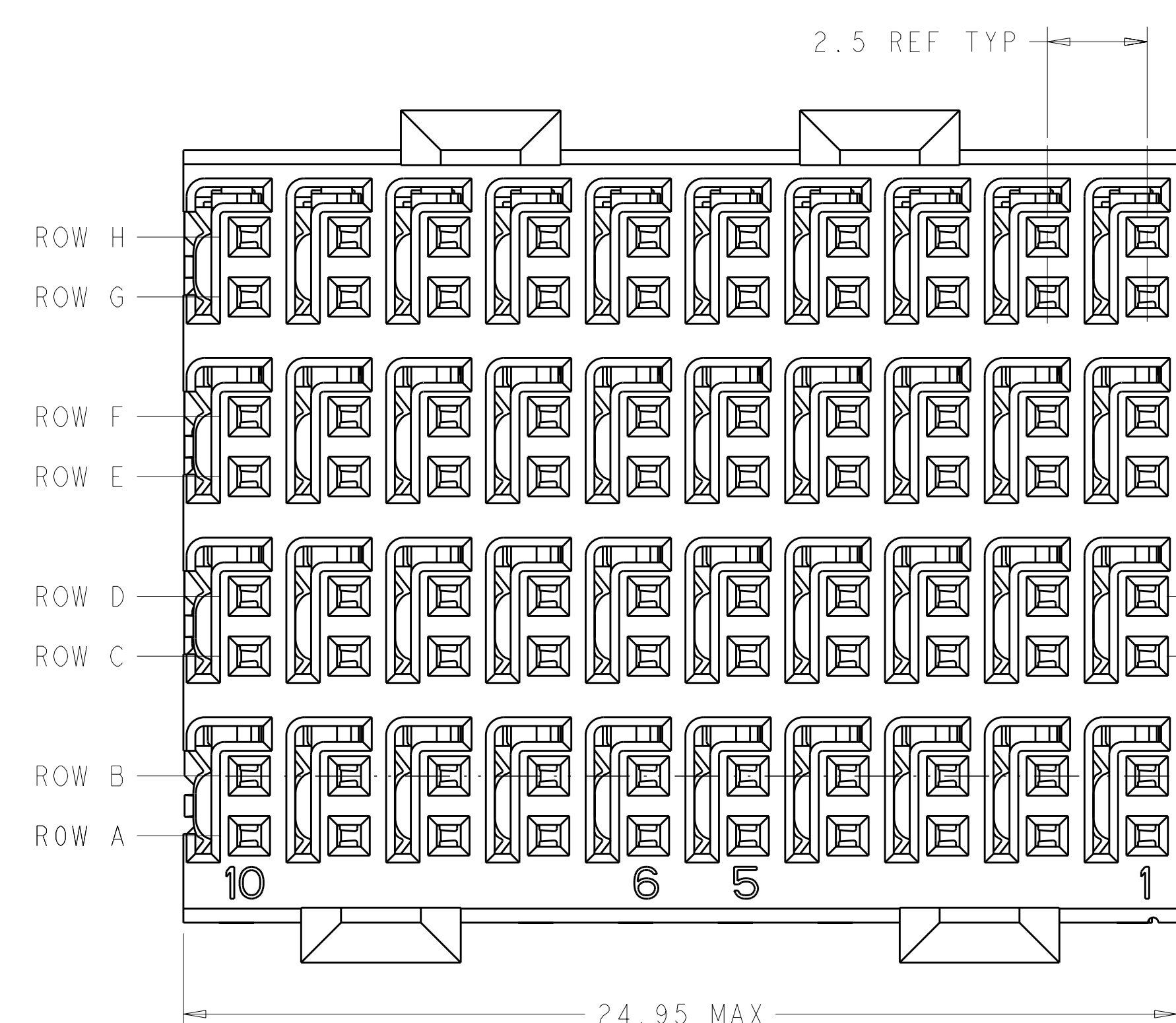


LOC	DIST	REV	DATE	APPD
AD	00	A	18MAY2011	RKC JE
		A1	31JAN2012	RG JE



RECOMMENDED PC BOARD LAYOUT,  
 DAUGHTER BOARD,  
 COMPONENT SIDE SHOWN  
 SCALE 5:1

- 1 REFERENCE APPLICATION SPEC 114-13059 FOR RECOMMENDED PLATED THRU HOLE DIAMETER AND PLATING THICKNESSES.
- 2 MATERIAL:  
 SHIELD - PHOSPHOR BRONZE  
 CONTACT - COPPER-NICKEL-SILICON  
 HOUSING, CHICKLET AND CHICKLET COVER - GLASS FILLED POLYESTER, UL 94V-0 RATED.
- 3 FINISH: CONTACT AND SHIELD  
 MATING AREA:  
 MEETS THE PERFORMANCE REQUIREMENTS OF TYCO ELECTRONICS PRODUCT SPECIFICATION, 108-2055-1; BASED ON TELCORDIA GR-1217-CORE, APPLICATIONS IN UNCONTROLLED ENVIRONMENTS.  
 COMPLIANT PIN AREA:  
 0.5µm MIN BRIGHT TIN/LEAD OVER BASE PLATING.
- 4 CONNECTOR MARKED WITH PART NUMBER AND DATE CODE IN APPROXIMATE AREA SHOWN.
- 5 DIMENSION APPLIES TO CENTERLINE OF THRU HOLE.
- 6 DATUMS AND BASIC DIMENSIONS ESTABLISHED BY CUSTOMER.
- 7 CONTACT AREA LUBRICATED WITH BELLCORE APPROVED LUBRICANT. TECHNICAL REFERENCE: GR-1217-CORE, ISSUE 1, NOVEMBER 1995.
- 8 FINISH: CONTACT AND SHIELD  
 MATING AREA:  
 MEETS THE PERFORMANCE REQUIREMENTS OF TYCO ELECTRONICS PRODUCT SPECIFICATION, 108-2055-1; BASED ON TELCORDIA GR-1217-CORE, APPLICATIONS IN UNCONTROLLED ENVIRONMENTS.  
 COMPLIANT PIN AREA:  
 0.5µm MIN MATTE TIN OVER BASE PLATING.



3	2065657-2
8	2065657-1
FINISH	PART NUMBER

THIS DRAWING IS A CONTROLLED DOCUMENT.		DWN J. K. SHOBER 10JAN2009	NAME ASSEMBLY, Z-Pack Hm-Zd Plus, RECEPTACLE, 4 PAIR
DIMENSIONS: mm	TOLERANCES UNLESS OTHERWISE SPECIFIED:	CHK N. SCHROLL 10JAN2009	RESTRICTED TO
9 PLC ±	9 PLC ±	APVD N. SCHROLL 10JAN2009	SIZE CAGE CODE DRAWING NO
5 PLC ±	5 PLC ±	PRODUCT SPEC	A100779C=2065657
4 PLC ±	4 PLC ±	APPLICATION SPEC	SCALE 8:1 SHEET 1 OF 1 REV A1
ANGLES ±	ANGLES ±	WEIGHT	CUSTOMER DRAWING
MATERIAL	FINISH	SEE TABLE	