

6

5

4

3

2

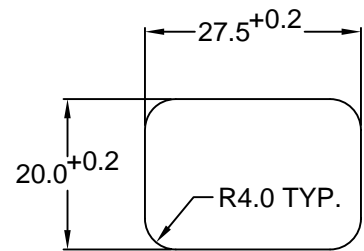
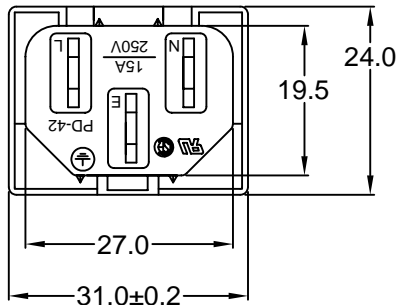
1

MATERIAL AND FINISH:

Insulator: Polycarbonate, UL-94V-0 rated
Contacts: Brass, Nickel plated

ELECTRICAL SPECIFICATIONS:

Current rating: 10 A
Voltage rating: 250 VAC
Current rating: 15 A
Voltage rating: 250 VAC



RECOMMENDED
PANEL CUTOUT

ORDERING CODE:

42R03-3 5 - -
1 2 3

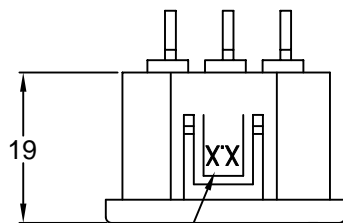
1) COLOR

- 1 = BLACK
- 2 = GRAY

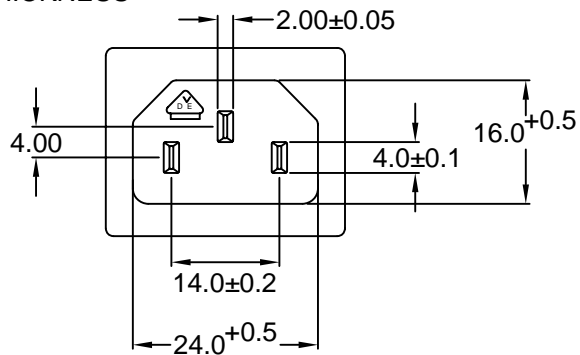
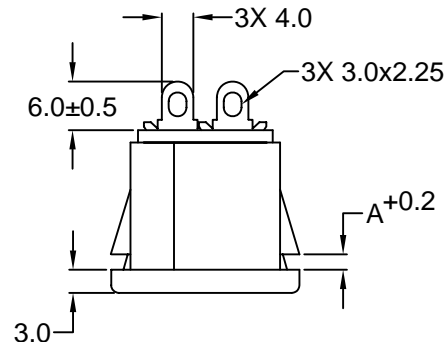
2) ELECTRICAL CIRCUIT CONFIGURATION

- 1 = 15A 250V 120°C 2+GROUND
- 2 = 15A 250V 70°C 2+GROUND
- 4 = 15A 250V 70°C 2 POLE

3) PANEL THICKNESS



REPLACE WITH
CORRESPONDING
PANEL THICKNESS



P/N	A	MAX. PANEL THICKNESS
42R03-3X5X-150	1.5	1.5
42R03-3X5X-200	2.0	2.0
42R03-3X5X-250	2.5	2.5

ADDITIONAL PANEL THICKNESS
AVAILABLE ON REQUEST

REV	DATE	CHANGE	CHKG	CHK	APPR

TOLERANCE UNLESS OTHERWISE SPECIFIED		
X	±	1
X.X	±	0.4
X.XX	±	0.20
DRAWN BY	GQ	DATE: 08/16/01
CHECK BY	TD	DATE: 09/20/01
APPR BY	PB	DATE: 09/20/01

**RoHS
COMPLIANT**

Power Dynamics, Inc.

Phone: 973 560-0019 Whippany, New Jersey Fax: 973 560-0076

PART: IEC 60320 C14 APPL. INLET; SOLDER
TERMINALS; SNAP-IN

PART #: 42R03-3X5X-XXX		SHEET 1 of 1
SIZE: A	ALL DIMENSIONS FOR REFERENCE ONLY DIMENSIONS ARE IN MILLIMETERS	REV:
SCALE: NTS		

6

5

4

3

2

1