

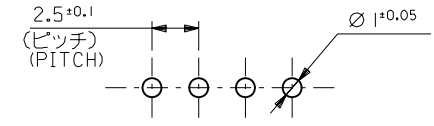
E

D

DIMENSIONS IN METRIC DO NOT SCALE DRAWING

A

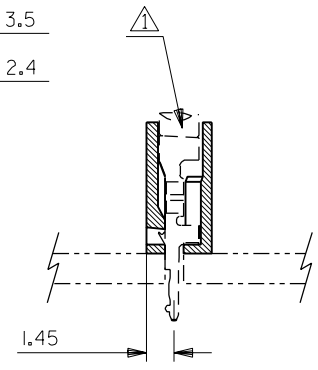
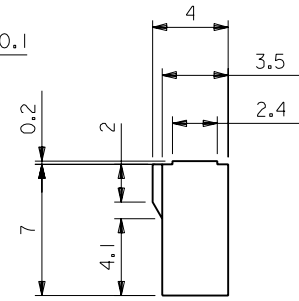
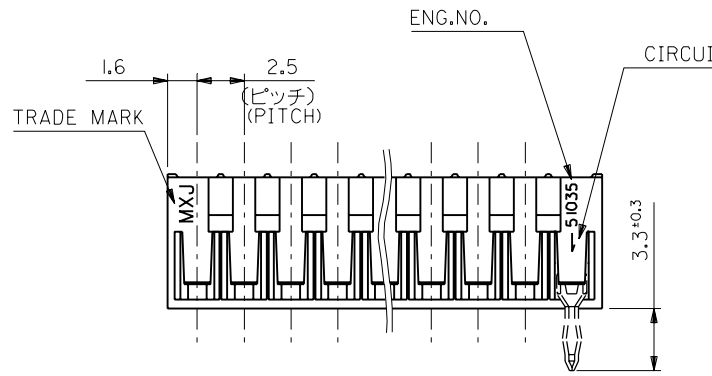
(公差非累積)
(NON-ACCUMULATIVE)



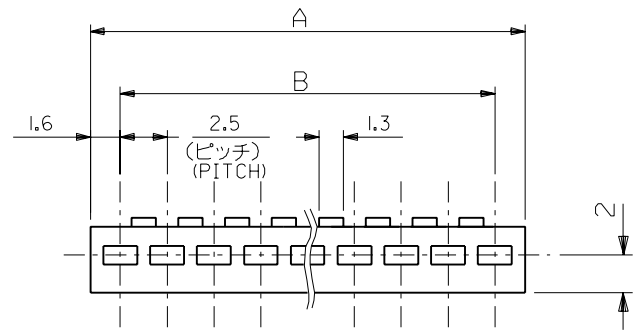
基板取付穴推奨寸法 (基板厚: 1.6mm)
RECOMMENDED PC BOARD HOLE DIMENSION
(THICKNESS: 1.6mm)

注記
NOTE

▲適合ターミナル: 50097-8*00
APPLICABLE TERMINAL: 50097-8*00



42.5	45.7	51035 - 1800	18
40.0	43.2	▲ - 1700	17
37.5	40.7	- 1600	16
35.0	38.2	- 1500	15
32.5	35.7	- 1400	14
30.0	33.2	- 1300	13
27.5	30.7	- 1200	12
25.0	28.2	- 1100	11
22.5	25.7	- 1000	10
20.0	23.2	- 0900	9
17.5	20.7	- 0800	8
15.0	18.2	- 0700	7
12.5	15.7	- 0600	6
10.0	13.2	- 0500	5
7.5	10.7	- 0400	4
5.0	8.2	▼ - 0300	3
2.5	5.7	51035 - 0200	2
B	A	ENG.NO.	極数 CKT.



角度 ANGLE		±3°						材料 MATERIAL	MOLEX-JAPAN CO.,LTD. 日本モレックス株式会社
30以上 OVER		+0.3						仕上げ FINISH	
10以上 30未満 OVER UNDER		+0.25						適用電線範囲 WIRE RANGE	REVISE ONLY ON CAD SYSTEM
10未満 UNDER		+0.2						被覆外径 INS. RANGE	TITLE 名称
一般公差 GENERAL TOLERANCES			E	REDRAWN	K.S.	M.S.	%/06/30	DRAWN BY %/06/30 CHK'D BY %/06/30	2.5 BOARD IN CONN. HOUSING
			記号 LTR	変更内容 REVISION RECORD	DR.	CHK.	日付 DATE	APP'D BY %/06/30 M.ENOMOTO	DWG. NO.
								尺度 SCALE	SD-51035-**-00
									REV E

0235.525