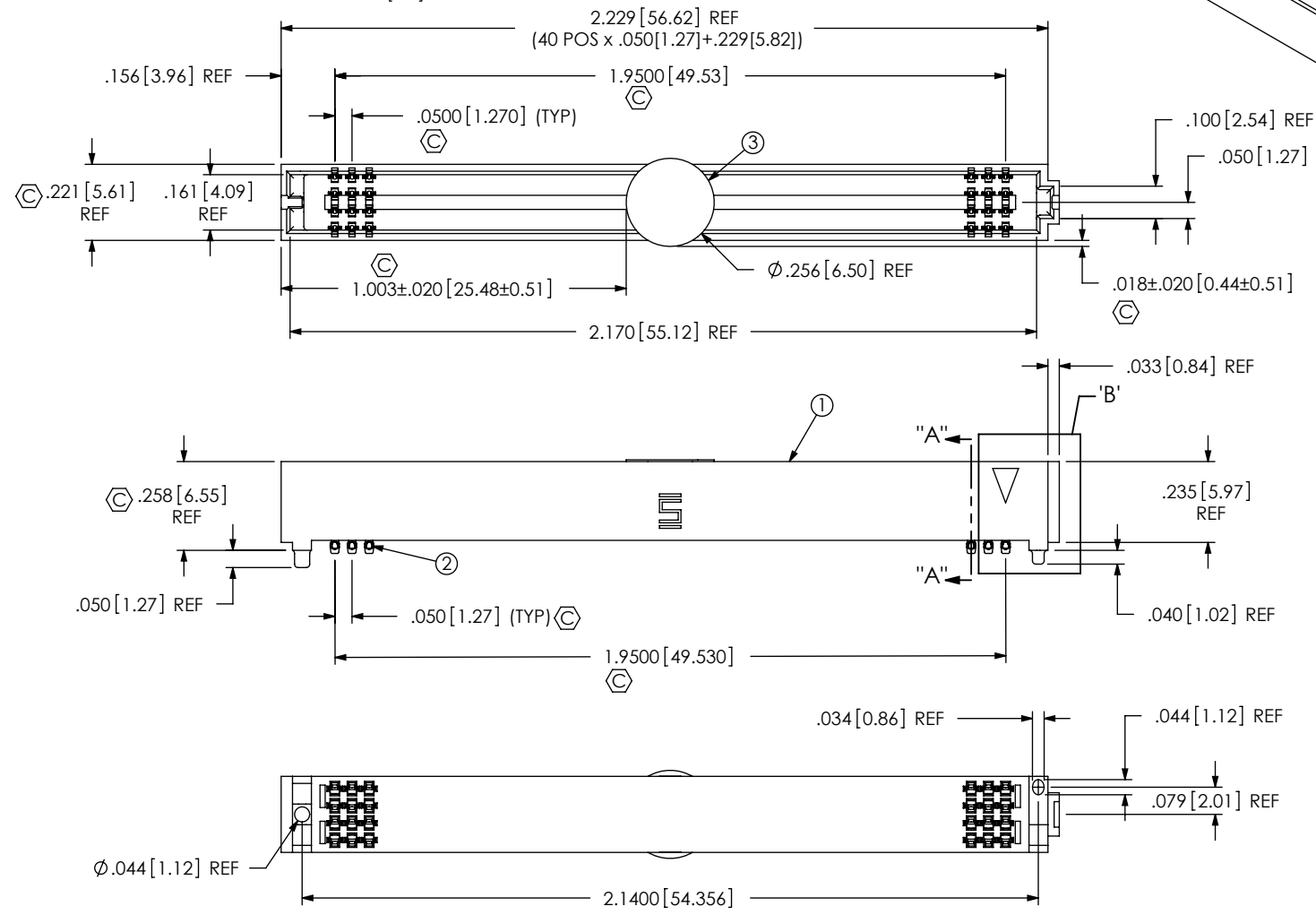
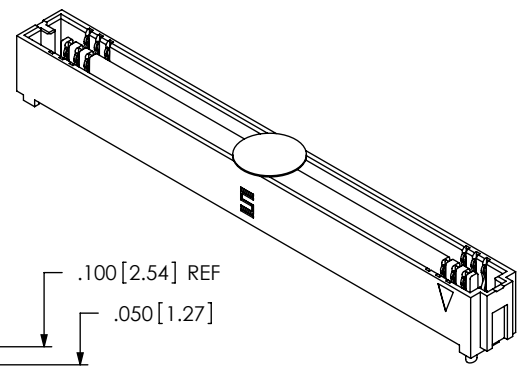


- NOTES:
 1. STANDARD PART SET UP AS ASP FOR HYPER TRANSPORT STANDARD
 2. Ⓢ REPRESENTS A CRITICAL DIMENSION.
 3. NOTE DELETED.
 4. MINIMUM PUSHOUT FORCE: .75 LB.
 4. DIMENSION C12 MUST BE MEASURED IN ALL FOUR CORNERS USING INSPECTION FIXTURE AT-1817-836-1. USE CO-AU-WI-2003-M FOR PROCESS.
 5. NOTE DELETED.
 6. PARTS TO BE PACKAGED IN TAPE & REEL. ATTACH LABEL "SEAX-00001" TO EACH TAPE & REEL PACKAGE.
 7. MAXIMUM ROW TO ROW VARIATION: .003[.08].


DO NOT SCALE FROM THIS PRINT

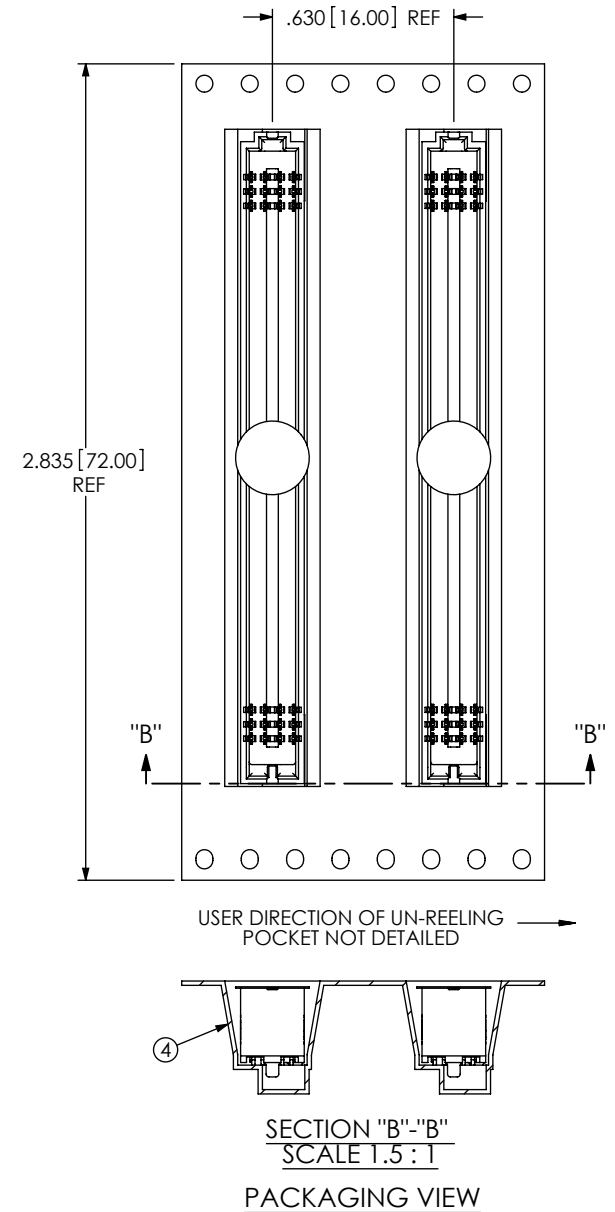
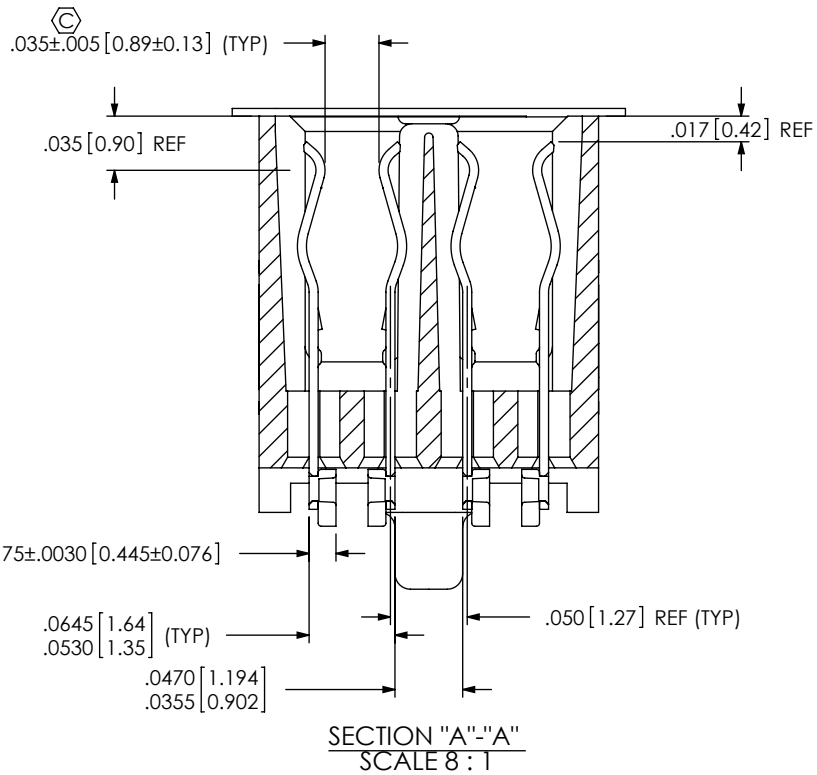
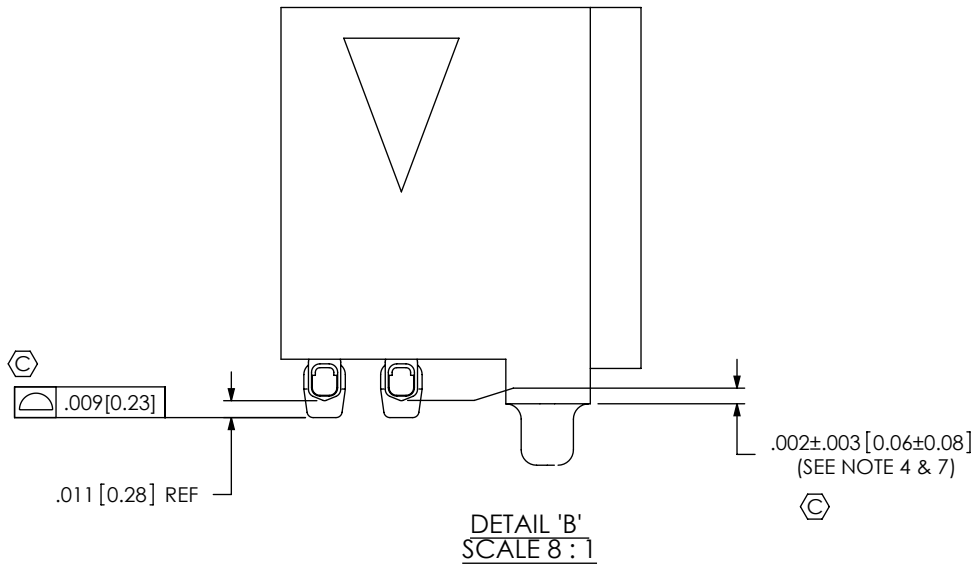


BY SIGNING THIS DOCUMENT YOU ARE ACCEPTING THE CONDITIONS SET WITHIN. YOUR REQUIREMENTS MUST BE LISTED WITHIN THIS DRAWING. WHERE NO DIRECTION FROM THE CUSTOMER IS IDENTIFIED SAMTEC'S PROCESS REQUIREMENTS WILL BE USED.

DATE: _____
 COMPANY: _____
 CUSTOMER SIGNATURE: _____
 PRINTED NAME: _____
 PHONE NO: _____
 EXCEPTIONS: _____

ITEM NO.	PART NUMBER	QUANTITY	MATERIAL
1	SEAF-40-06.5-04-A	1.0000	LCP, UL 94 V0, COLOR: BLACK
2	NEW-SUB-C-209-06.5-L-2	160.00	COPPER ALLOY/LEAD FREE SOLDER
3	K-DOT-.256-.375-.005	1.0000	POLYIMIDE FILM
4	CT-SEAF053MS	1.0000	CONDUCTIVE POLYMER

NON STANDARD	UNLESS OTHERWISE SPECIFIED, DIMENSIONS ARE IN INCHES. TOLERANCES ARE: DECIMALS ANGLES .XX: ±.01 [.3] 2° .XXX: ±.005 [.13] .XXXX: ±.0020 [.051]	PROPRIETARY NOTE THIS DOCUMENT CONTAINS INFORMATION CONFIDENTIAL AND PROPRIETARY TO SAMTEC, INC. AND SHALL NOT BE REPRODUCED OR TRANSFERRED TO OTHER DOCUMENTS OR DISCLOSED TO OTHERS OR USED FOR ANY PURPOSE OTHER THAN THAT WHICH IT WAS OBTAINED WITHOUT THE EXPRESSED WRITTEN CONSENT OF SAMTEC, INC.	 520 PARK EAST BLVD, NEW ALBANY, IN 47150 PHONE: 812-944-6733 FAX: 812-948-5047 e-Mail: info@SAMTEC.com code 53322
	COMPONENT	DO NOT SCALE DRAWING SHEET SCALE: 1:1	
ASSEMBLY	PLATING: CONTACT AREA: .000010 GOLD OVER .000050 NICKEL REMAINDER: .000200 TIN OVER .000050 NICKEL		DWG. NO. ASP-151798-03-06.5
TOOLING	LEAD FREE SOLDER Ⓢ		BY: J. BROWNING 04/06/2010 SHEET 1 OF 2
PROCESS			
PACKAGING			
OTHER	X	c:\enterprise\vauf\DWG\MISC\MKTG\ASP-151798-03-06.5-MKT.SLDDRW	



PROPRIETARY NOTE

THIS DOCUMENT CONTAINS INFORMATION CONFIDENTIAL AND PROPRIETARY TO SAMTEC, INC. AND SHALL NOT BE REPRODUCED OR TRANSFERRED TO OTHER DOCUMENTS OR DISCLOSED TO OTHERS OR USED FOR ANY PURPOSE OTHER THAN THAT WHICH IT WAS OBTAINED WITHOUT THE EXPRESSED WRITTEN CONSENT OF SAMTEC, INC.

samtec

520 PARK EAST BLVD., NEW ALBANY, IN 47150
PHONE: 812-944-6733 FAX: 812-948-5047
e-Mail: info@SAMTEC.com code 55322

SHEET SCALE: 1:1

DESCRIPTION:
.050 PITCH SOCKET ARRAY ASSEMBLY

DWG. NO.
ASP-151798-03-06.5

BY: J. BROWNING 04/06/2010 SHEET 2 OF 2