

CMYTVS5-2

5.0V, 2-Line, low capacitance, TVS/diode array in the SOT-543 package



Central Semiconductor's CMYTVS5-2 is a 2-line TVS/diode array packaged in the SOT-543 surface mount case. With its low capacitance, this device was designed to protect two high speed data or transmission lines from over-voltage transients and ESD damage.

Features:

- 15kV ESD protection
- Low capacitance
- Low clamping voltage
- Protects two I/O lines
- Protects supply voltage rail

Applications:

- USB 2.0 power and data line protection
- HDMI interface
- Digital Video Interface (DVI)
- Ethernet ports

Benefits:

- Low idle power consumption
- Industry standard package
- Integrated solution saves board space

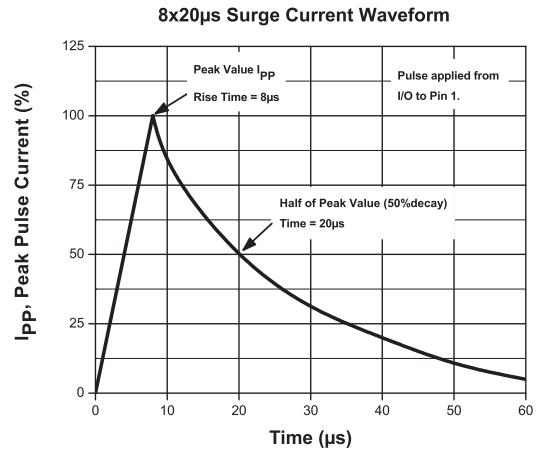
Literature



New
SMD
SELECTION
GUIDE

Order your selection guide today.
Visit: web.centrasemi.com/search/sample.php

Typical Electrical Characteristics



Samples



To order samples of this device visit:
www.centrasemi.com/info/CMYTVS5-2

Weblink:

Use QR reader for direct link to product web page,
or use: www.centrasemi.com/info/CMYTVS5-2

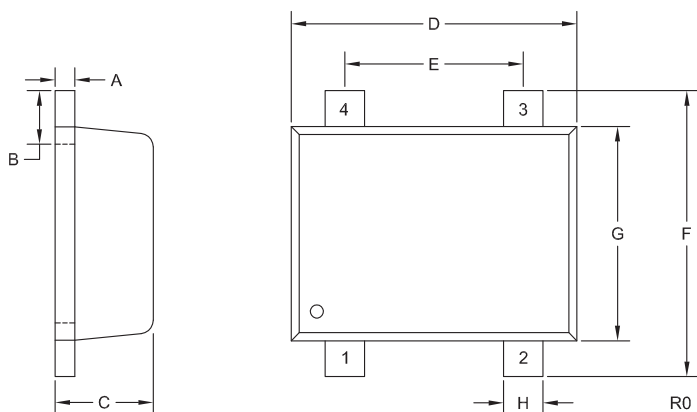


Maximum Ratings ($T_A = 25^\circ\text{C}$)			Electrical Characteristics Per Diode: ($T_A = 25^\circ\text{C}$)												
PPK 8x20µs	VESD (Air)	T_J, T_{stg}	Reverse Stand-off Voltage V_{RWM}	Reverse Breakdown Voltage pin 4 to pin 1 $V_Z @ I_Z$		Reverse Leakage Current pin 4 to pin 1 $I_R @ V_R$		Clamping Voltage 8x20µs I/O to pin 1 $V_C @ I_{PP}$		Clamping Voltage 8x20µs I/O to pin 1 $V_C @ I_{PP}$		Off State Junction Capacitance I/O to GND ($V_R=0, f=1.0\text{MHz}$) C_J		Off State Junction Capacitance I/O to I/O ($V_R=0, f=1.0\text{MHz}$) C_J	
MAX (W)	MAX (kV)	MAX ($^\circ\text{C}$)	MAX (V)	MIN (V)	MIN (mA)	MAX (µA)	MAX (V)	MAX (V)	MAX (A)	MAX (V)	MAX (A)	TYP (pF)	MAX (pF)	TYP (pF)	MAX (pF)
60	15	-55 to +150	5.0	6.2	1.0	1.0	5.0	9.0	1.0	12	5.0	0.9	1.2	0.5	0.6

CMYTVS5-2

5.0V, 2-Line,
low capacitance, TVS/diode array
in the SOT-543 package

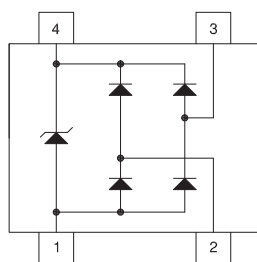
Mechanical drawing - SOT-543



SYMBOL	INCHES		MILLIMETERS	
	MIN	MAX	MIN	MAX
A	0.002	0.007	0.07	0.17
B	0.004	0.012	0.10	0.30
C	0.019	0.024	0.50	0.60
D	0.059	0.067	1.50	1.70
E	0.035	0.044	0.90	1.10
F	0.059	0.067	1.50	1.70
G	0.044	0.052	1.10	1.30
H	0.006	0.011	0.17	0.27

SOT-543 (REV: R0)

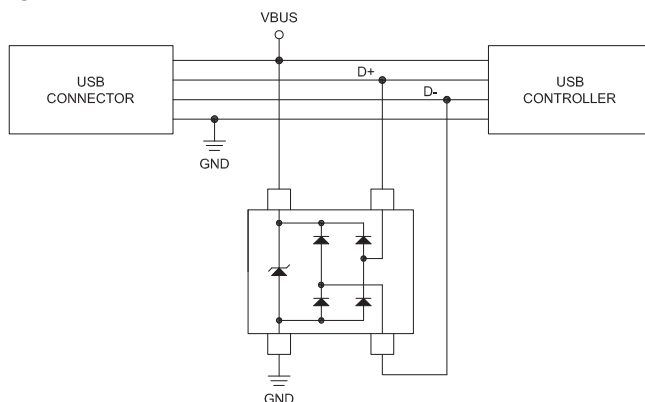
Pinout and lead code



- 1) Ground
- 2) I/O
- 3) I/O
- 4) Supply Voltage (V_{CC})

MARKING CODE: C52

Typical application - USB 2.0



Packaging base / Ordering information

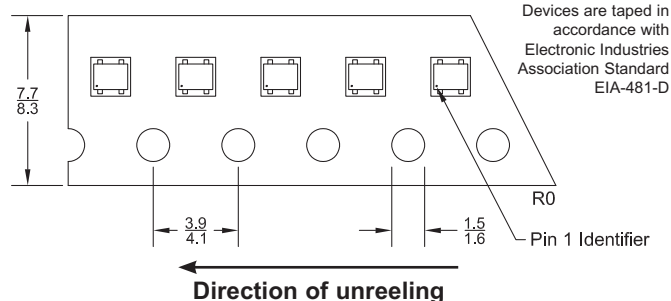
Reel Size	Quantity	Central Item No.
7"	3,000	CMYTVS5-2 TR

Reel packing information

Reel size	Reels per box (Maximum)	Parts per box (Maximum)	Box dimensions		Shipping Weight (Max.)	
			INCH	CM	LB	KG
7"	9	72,000	9x9x5	23x23x13	3	2
	18	144,000	9x9x9	23x23x23	6	3
	40	320,000	21x9x9	53x23x23	13	6
	108	864,000	27x9x17	69x23x43	34	16

Tape dimensions and orientation (Dimensions in mm)

Tape width: 8mm



Sample devices available upon request. To order samples of this device visit: www.centrasemi.com/info/CMYTVS5-2



Innovative Discrete Semiconductors

For further information contact:
Sales at Central Semiconductor Corp.
(631) 435-1110 or visit:
www.centrasemi.com