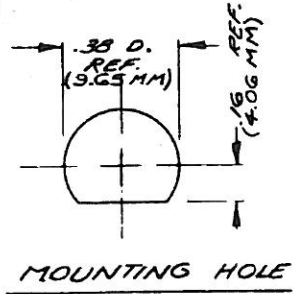
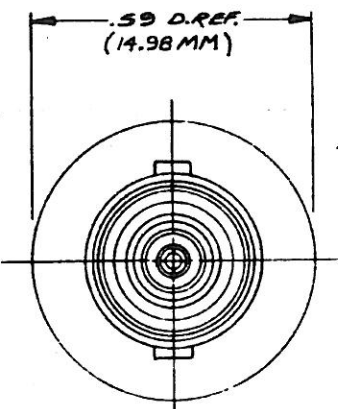
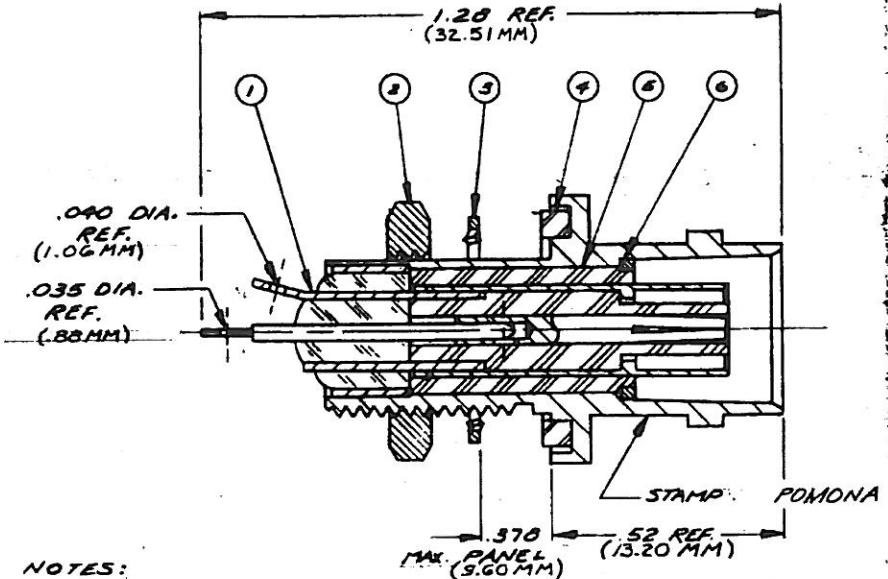


S-D

DASH NO. IN CODE MADE FROM



NOTES:

- 3. SAME AS 1964-4-9-M06 EXCEPT FOR MARKING & CONTACT FINISH.
- 4. MARK PACKAGE: KINGS 1964-4-7.

UNLESS OTHERWISE SPECIFIED:

1. TOLERANCES FRACTIONS & 2 PLACE DECIMALS ± 010	2. REMOVE ALL BURRS, BREAK SHARP EDGES .005 MAX.
3 PLACE DECIMALS ± .004 ANGLES ± 0°30'	3. NO FILLETS PERMITTED.
T. I. R. CONCENTRICITY OF ANY 2 DIAMETERS MAY NOT EXCEED HALF THE SUM OF THEIR TOLERANCES	4. SURFACE ROUGHNESS 63 MICRONS RMS MAX.
	5. ALL DIMENSIONS PRIOR TO PLATING
	6. ALL PLATING IN ACCORDANCE WITH KER 10004

1964-4-7 (SHT 1 OF 2)

REVISIONS	
NO.	CHANGES
0	ER 22078 PAS 8 JUN 81
1	CN 22274 C GL 22 JUL 81
2	CN 22427 C GL 24 AUG 81
3	CN 30933 C LI 15 JUN 89
4	CN 38607 E TML 11/19/02

S-D

SCALE 4:1

APPROX SURFACE AREA

USED ON

REF ITT POMONA DWG. 026-010-037 REV C

BNC TRIAX BULKHEAD RECEPTACLE HERMETIC SEAL

DRAWN PAS	DATE 13 MAY 81
APPV KES	DATE 21 MAY 81

KINGS
ELECTRONICS CO., INC.
POMONA, CALIF. 91768

1964-4-7

(SHT. 1 OF 2) S-D

