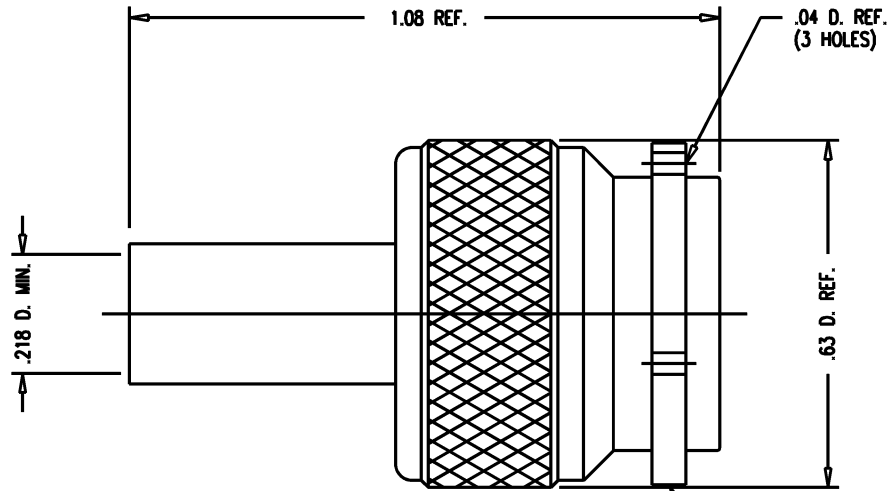


# GSD

M39012/26-0011



STAMP: 91836 M39012/26-0011  
KINGS KA-59-230 XX XX (DATE CODE)

**NOTES:**

1. FOR USE WITH RG-142, 223 & 400/U CABLES.
2. FOR CABLING INSTRUCTIONS SEE CP-465.
3. FOR CABLE TRIMMING USE KTJ-113 & KTD-166.
4. FOR CRIMPING USE DIE KTH-2001.
5. INTERFACE PER MIL-STD-348, FIG. 313-1.
6. CENTER CONTACT TO BE SUPPLIED UNASSEMBLED.
7. MATERIALS:  
 INSULATOR: TEFLON, ASTM-D-1457  
 GASKET: SIL. RUB., ZZ-R-765  
 K-GRIP SLEEVE: COM. BRONZE TUBE, ALLOY 220  
 OUTER CONTACT: BER. COP., ASTM-B-196  
 ALL OTHER PARTS: BRASS, ASTM-B16
8. FINISHES:  
 CENTER CONTACT: HARD GOLD PLATE PER MIL-G-45204  
 ALL OTHER METAL PARTS: SILVER PLATE PER QQ-S-365
9. ELECTRICAL CHARACTERISTICS:  
 NOMINAL IMPEDANCE: 50 OHMS  
 VOLTAGE RATING: 500 VRMS  
 FREQUENCY RANGE: DC TO 11 GHz

**REVISIONS**

ISSUE	CHANGES
7	CN 33600 E REDRAWN JCA 12/13/91
8	CN 35686 A KVH 08/02/94

JCA2294

SCALE	4:1		
APPROX SURFACE AREA			
KA-59-230			
USED ON			
REF:			
<b>PLUG, TNC</b>			
DRAWN	JCA	DATE	12/13/91
DESIGN	MJB	DATE	12/16/91
APPR.		DATE	

**KINGS**  
ELECTRONICS CO., INC.  
TUCKAHOE, NEW YORK 10707

M39012/26-0011

# GSD