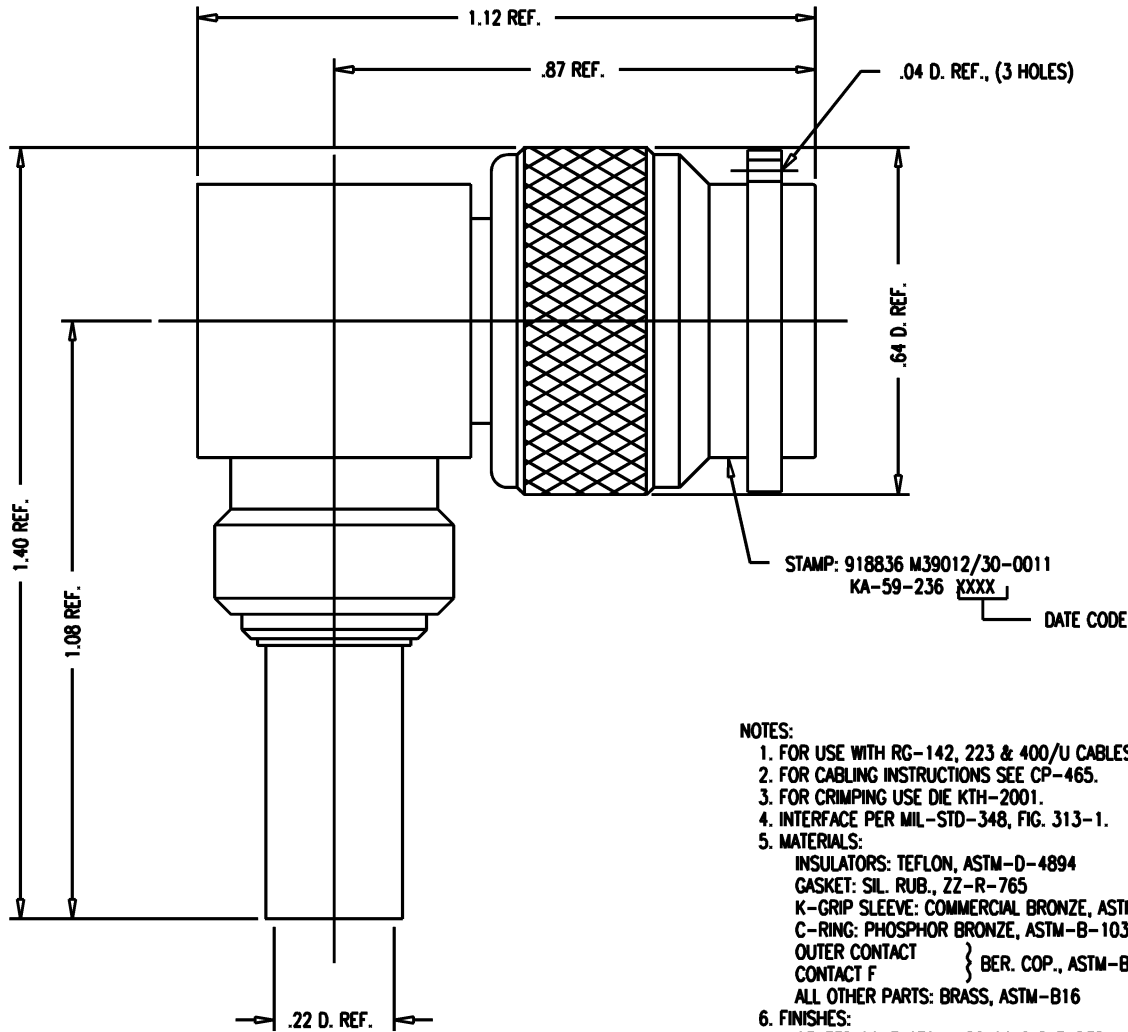


DASH NO.	M CODE	MADE FROM
----------	--------	-----------

GSD

M39012/30-0011

REVISIONS	
ISSUE	CHANGES
6	CN 36790 C REDRAWN KH 02/27/96
7	CN 38244 C BDH 03/12/01



NOTES:

- FOR USE WITH RG-142, 223 & 400/U CABLES.
- FOR CABLING INSTRUCTIONS SEE CP-465.
- FOR CRIMPING USE DIE KTH-2001.
- INTERFACE PER MIL-STD-348, FIG. 313-1.
- MATERIALS:
 INSULATORS: TEFLON, ASTM-D-4894
 GASKET: SIL. RUB., ZZ-R-765
 K-GRIP SLEEVE: COMMERCIAL BRONZE, ASTM-B-135
 C-RING: PHOSPHOR BRONZE, ASTM-B-103
 OUTER CONTACT } BER. COP., ASTM-B-196
 CONTACT F }
 ALL OTHER PARTS: BRASS, ASTM-B16
- FINISHES:
 CENTER CONTACTS: HARD GOLD PLT. PER MIL-G-45204
 ALL OTHER METAL PARTS: SILVER PLATE PER QQ-S-365
- ELECTRICAL CHARACTERISTICS:
 NOMINAL IMPEDANCE: 50 OHMS
 VOLTAGE RATING: 500 VRMS
 FREQUENCY RANGE: DC TO 11 GHz

KAM6428

SCALE	4:1	
APPROX SURFACE AREA		
WAS:	KA-59-236	
USED ON		
REF:		
PLUG, ANGLE, TNC		
DRAWN	KH	02/27/96
DESIGN	AR	02/28/96
APPR.		DATE
 KINGS ELECTRONICS CO., INC. ROCK HILL, SOUTH CAROLINA 29730		
M39012/30-0011		

GSD