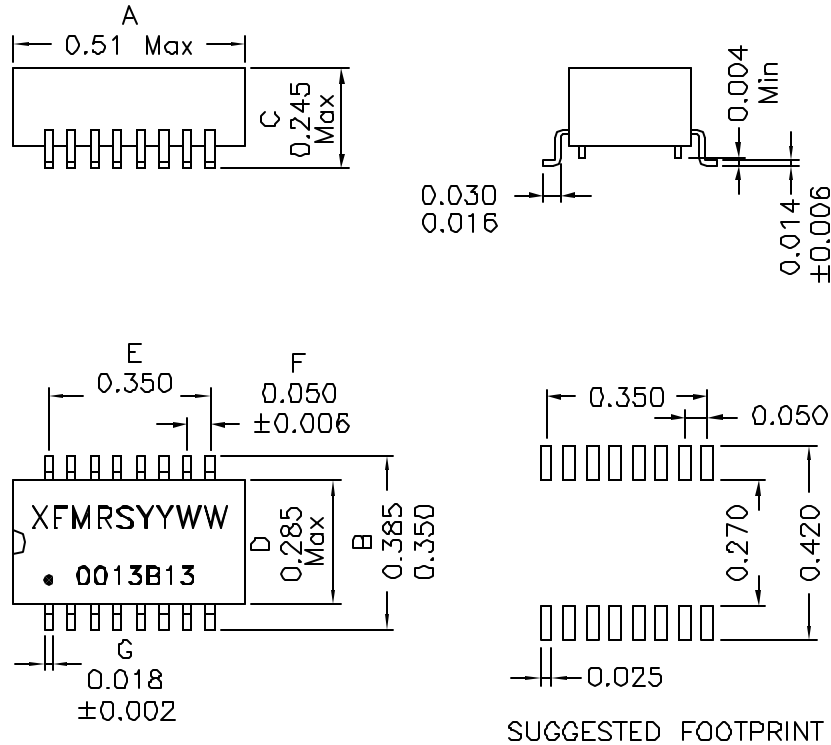
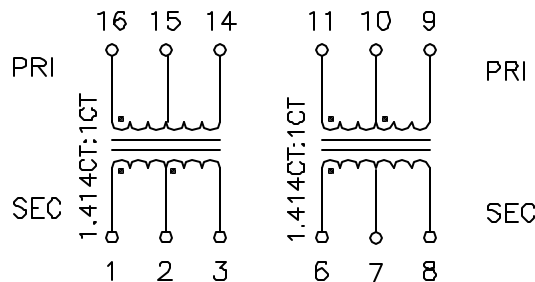


1. Dimensions:



2. Schematic:



3. Electrical Specifications: @25°C

Isolation Voltage: 1500 Vrms
 Turns Ratio: (16-15-14):(1-2-3)=1CT:1.414CT ±3%
 (11-10-9):(6-7-8)=1CT:1.414CT ±3%
 OCL: Pins 16-14 1.0mH Min @100KHz 50mV
 Pins 11-9 1.0mH Min @100KHz 50mV
 Cw/w: 35pF MAX. @100KHz 50mV (PRI/SEC)
 PRI LL: 0.60uH MAX. @100KHz 50mV (SEC Shorted)
 PRI DC Resistance: 0.70 Ohms Max
 SEC DC Resistance: 0.90 Ohms Max

Notes:

- Solderability: Leads shall meet MIL-STD-202C, Method 208H for solderability.
- Flammability: UL94V-0
- ASTM oxygen index: > 28%
- Insulation System: Class F 155°C. UL file E151556
- Operating Temperature Range: All listed parameters are to be within tolerance from -40°C to +85°C
- Storage Temperature Range: -55°C to +125°C
- Aqueous wash compatible
- SMD Lead Coplanarity: ±0.004" (0.102mm)
- Electrical and mechanical specifications 100% tested
- RoHS Compliant Component

XFMRs Inc www.XFMRs.com	Title: TRANSFORMER		
UNLESS OTHERWISE SPECIFIED TOLERANCES: .xxx ±0.010 Dimensions in Inch SCALE 2.5:1 SHT 1 OF 1	P/N: XFD013B13		REV. A
	DWN.	Juan Mao	Mar-13-08
	CHK.	YK Liao	Mar-13-08
	APP.	Joe Huff	Mar-13-08

DOC. REV: A/5