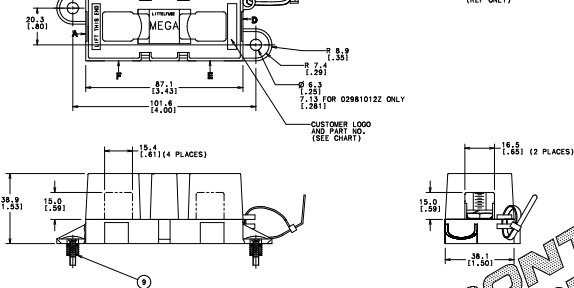
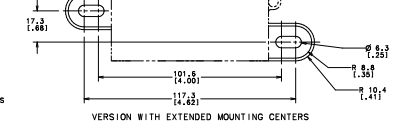
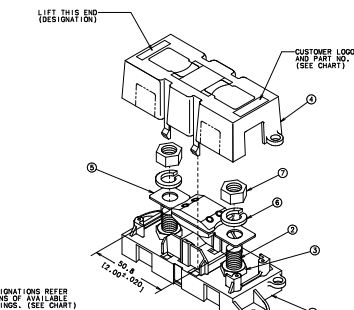


ASSEMBLY NO.	BASE NO. (1)	BOLT (2)	JAM NUT (3)	COVER NO. (4)	COVER OPENING	PART NO. AND/ OR LOGO	FUSE NO. (6)	WASHER (7)	WASHER QTY (8)	NUT (9)	NUT QTY (10)	TETHER (11)	RACHET FASTEN (12)	RACKET FASTEN (13)	CARTON QTY (14)	BAG QTY.	LAB. QTY. (15)	PAD QTY. (16)	POLY BAG (17)	POLY BAG QTY. (18)
029810012	2989001-1	902-146-001	903-129-001	2989001-10	A D	N/A	NONE	901-282-001	2000	903-130-001	2000	890-S15	NONE	NONE	6.25	6.25	6.25	37.5	NONE	NONE
029810027	2989001-2	902-146-001	903-129-001	2989001-10	A D	N/A	NONE	901-282-001	2000	903-130-001	2000	890-S15	NONE	NONE	7.14	7.14	7.14	42.84	NONE	NONE
029810032	2989001-1	902-146-001	903-129-001	2989001-11	A B C D E F	N/A	NONE	901-282-001	2000	903-130-001	2000	890-S15	NONE	NONE	6.25	6.25	6.25	37.5	NONE	NONE
029810047	2989001-1	902-146-001	903-129-001	2989001-12	A C F	N/A	0298175.ZXB	NONE	NONE	NONE	NONE	890-S15	NONE	NONE	6.25	6.25	6.25	37.5	NONE	NONE
029810052	2989001-1	902-146-001	903-129-001	2989001-13	A C D E	N/A	NONE	901-282-001	2000	903-130-001	2000	890-S15	NONE	NONE	6.25	6.25	6.25	37.5	NONE	NONE
029810067	2989001-3	902-146-002	903-129-002	2989001-11	A B C D E F	N/A	0298175.ZXF4F	NONE	NONE	903-136	2000	NONE	888-100	2000	6.25	6.25	6.25	37.5	NONE	NONE
029810072	2989001-2	902-146-001	903-129-001	2989001-17	A E	H83 837 906 (C) QND	0298200.ZXE	901-282-001	2000	903-130-001	2000	NONE	NONE	NONE	7.14	7.14	7.14	42.84	NONE	NONE
029810087	2989001-2	902-146-001	903-129-001	2989001-18	A D E	H83 837 906 A (C) QND	0298200.ZXE	901-282-001	2000	903-130-001	2000	NONE	NONE	NONE	7.14	7.14	7.14	42.84	NONE	NONE
029810092	2989001-3	902-146-002	903-129-002	2989001-18	D E F	N/A	NONE	NONE	NONE	NONE	NONE	NONE	NONE	NONE	6.25	6.25	6.25	37.5	NONE	NONE
029810107	2989001-1	902-146-001	903-129-001	2989001-13	A C D E F	N/A	0298500.ZXS	901-282-001	2000	903-130-001	2000	890-S15	NONE	NONE	6.25	6.25	6.25	37.5	NONE	NONE
029810112	2989001-5	902-146-001	903-129-001	2989001-25	B C E F	N/A	0298500.ZXS	NONE	NONE	903-149	2000	890-S15	NONE	NONE	7.14	7.14	7.14	42.84	NONE	NONE
029810122	2989001-6	902-146-001	903-129-001	2989001-26	B C E F	N/A	NONE	901-282-001	2000	903-130-001	2000	890-S15	NONE	NONE	6.25	6.25	6.25	37.5	NONE	NONE
029810132	2989001-3	902-146-002	903-129-002	2989001-26	B C	N/A	0298175.ZXF4F	NONE	NONE	903-136	2000	NONE	888-100	2000	6.25	6.25	6.25	37.5	NONE	NONE
029810142	2989001-1	902-146-001	903-129-001	2989001-10	A D	N/A	0298100.ZXB	NONE	NONE	NONE	NONE	890-S15	NONE	NONE	6.25	6.25	6.25	37.5	NONE	NONE
029810152	2989001-2	902-146-001	903-129-001	2989001-30	A C E	H83 837 906 C (C) QND	0298200.ZXE	901-282-001	2000	903-130-001	2000	NONE	NONE	NONE	7.14	7.14	7.14	42.84	898-365	14.28
029810162	2989001-2	902-146-001	903-129-001	2989001-29	C F	H83 837 906 A (C) QND	0298100.ZXE	901-282-001	2000	903-130-001	2000	NONE	NONE	NONE	7.14	7.14	7.14	42.84	898-365	14.28



- NOTES:**
- NUTS (9) TO BE ASSEMBLED BELOW STUD END WITH THE COVER ON. TO REMOVE COVER, REMOVE WASHERS & HEX NUTS NOT TO BE ASSEMBLED TO BASE.
 - BOLT HEAD TO BE RECESSED IN HOUSING BASE BY ± 110 MINIMUM.
 - COVER RETENTION TEST A MINIMUM FORCE OF 2 LBS. IS REQUIRED TO REMOVE COVER WHEN IT IS SUSPENDED UPSIDE DOWN. FORCE SHALL BE APPLIED THROUGH THE INNER HOLES (3) IN BASE. USE FIXTURE #1-4343 TO SUPPORT PART.
 - TORQUE REQ. FOR NUT (9) **Enviro** 50 IN-LBS.
- 5. MATERIALS:**
- BODY - GLASS FILLED THERMOPLASTIC COLOR - BLACK
 - COVER - THERMOPLASTIC COLOR - BLACK
 - WIRE TIE - NYLON PLASTIC COLOR - BLACK
 - STUDS & NUTS - M4 X 1.25 STEEL PLATE WITH SILICOMATE METS 72 HR. ASTM STD. B-17 SALT SPRAY REQ.
- 6. 250 AMP. MAX. RATING**
- 7. TORQUE REQUIREMENT FOR MEGA FUSE TERMINAL & CONECTOR LOCKING NUTS (3) TO BE:** **Enviro** Nut - 12-18 NEWTON METERS **Enviro** Hex Nuts - 10-14 NEWTON METERS
- 8. HOLDER MEETS L/F VALIDATION TEST SPEC. VS-050502.**

- PACKAGING NOTES:**
- HOLDERS ARE POSITIONED IN CARTON ON THEIR SIDE.
 - ALL HOLDERS HAVE COVERS SUPPLIED ON EXTERIOR FOR OVERPACKS. WHICH HAS COVER SEALED BUT NOT SHIPPED DOWN.
 - HOLDERS USING 2989001-1, OR 2989001-3 OR 2989001-6 BASE ARE PACKED 180 PCS IN CARTON WITH BAG, FIVE LAYERS WITH 22 HOLDERS/LAYER. PLACE A PAD ON BOTH TOP AND BOTTOM EACH LAYER. FOLD BAG CLOSED AND SEAL CARTON WITH OVERSHIM TAPE AND AFFIX LABEL. PRINTED PER GENERAL LABEL SPEC 15-000003.
 - HOLDERS USING 2989001-2 OR 2989001-5 BASE ARE PACKED 140 PCS IN CARTON WITH BAG AND FIVE LAYERS 28 HOLDERS/LAYER. PLACE A PAD ON BOTH TOP AND BOTTOM EACH LAYER. FOLD BAG CLOSED AND SEAL CARTON WITH OVERSHIM TAPE AND AFFIX LABEL PRINTED PER GENERAL LABEL SPEC 15-000003.
- PACKAGING NOTES, FOR (029810152 AND 029810162Z)**
- PLACE 280 WASHERS (9) IN BAG 898-365 AND 280 HEX NUTS (3) IN BAG 898-365. HEAT SEAL BAGS AND PLACE ON TOP OF THE LAST CARDBOARD PAD. THE NUTS MUST BE SPREAD OUT TO ONLY A SINGLE LAYER IN THE BAG. CLOSE AND SEAL THE BOX.

14 SEE CHART POLY BAG SEE CHART
 15 396043 PAD SEE CHART
 16 814-700 LABEL SEE CHART
 17 900-700 BAG SEE CHART
 18 888-100 CARTON SEE CHART
 19 SEE CHART RACKET PARTNER 3900 EA
 20 SEE CHART TETHER 1000 EA
 21 SEE CHART WASHER SEE CHART
 22 SEE CHART FUSE 1000 EA
 23 SEE CHART WASH 1000 EA
 24 SEE CHART JAM NUT 3900 EA
 25 SEE CHART BOLT 3900 EA
 26 SEE CHART NUT 3900 EA
 27 COMPONENT NO. 888-100 1000 EA
 28 COMPONENT NO. 888-100 1000 EA

UNLESS SPECIFIED, ALL MATERIALS SHALL BE MADE IN THE USA.
 IF SPECIFIED MATERIALS ARE NOT AVAILABLE IN THE USA, THE MATERIALS SHALL BE MADE IN THE USA OR IN A COUNTRY THAT IS A SIGNATORY TO THE NORTH AMERICAN FREE TRADE AGREEMENT (NAFTA).
 THIS DRAWING IS THE PROPERTY OF METRIC INC. ALL RIGHTS RESERVED. NO PART OF THIS DRAWING IS TO BE REPRODUCED OR TRANSMITTED IN ANY FORM OR BY ANY MEANS, ELECTRONIC OR MECHANICAL, INCLUDING PHOTOCOPYING, RECORDING, OR BY ANY INFORMATION STORAGE AND RETRIEVAL SYSTEM, WITHOUT THE WRITTEN PERMISSION OF METRIC INC.

REV 01

REV	DATE	BY	CHKD	REASON
1	10/23/03	AM	MSK	INITIALS
2	10/23/03	AM	MSK	INITIALS
3	10/23/03	AM	MSK	INITIALS
4	10/23/03	AM	MSK	INITIALS
5	10/23/03	AM	MSK	INITIALS
6	10/23/03	AM	MSK	INITIALS

MATERIAL: MEASURE FOLDER
 Z 02981007Z

UNCONTROLLED COPY