

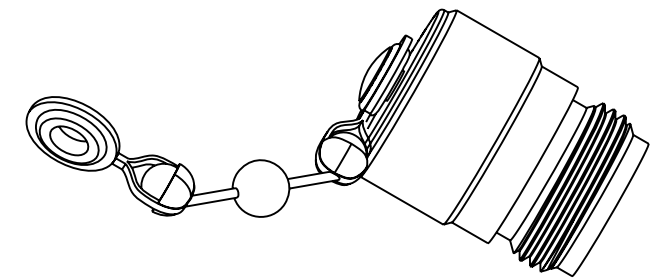
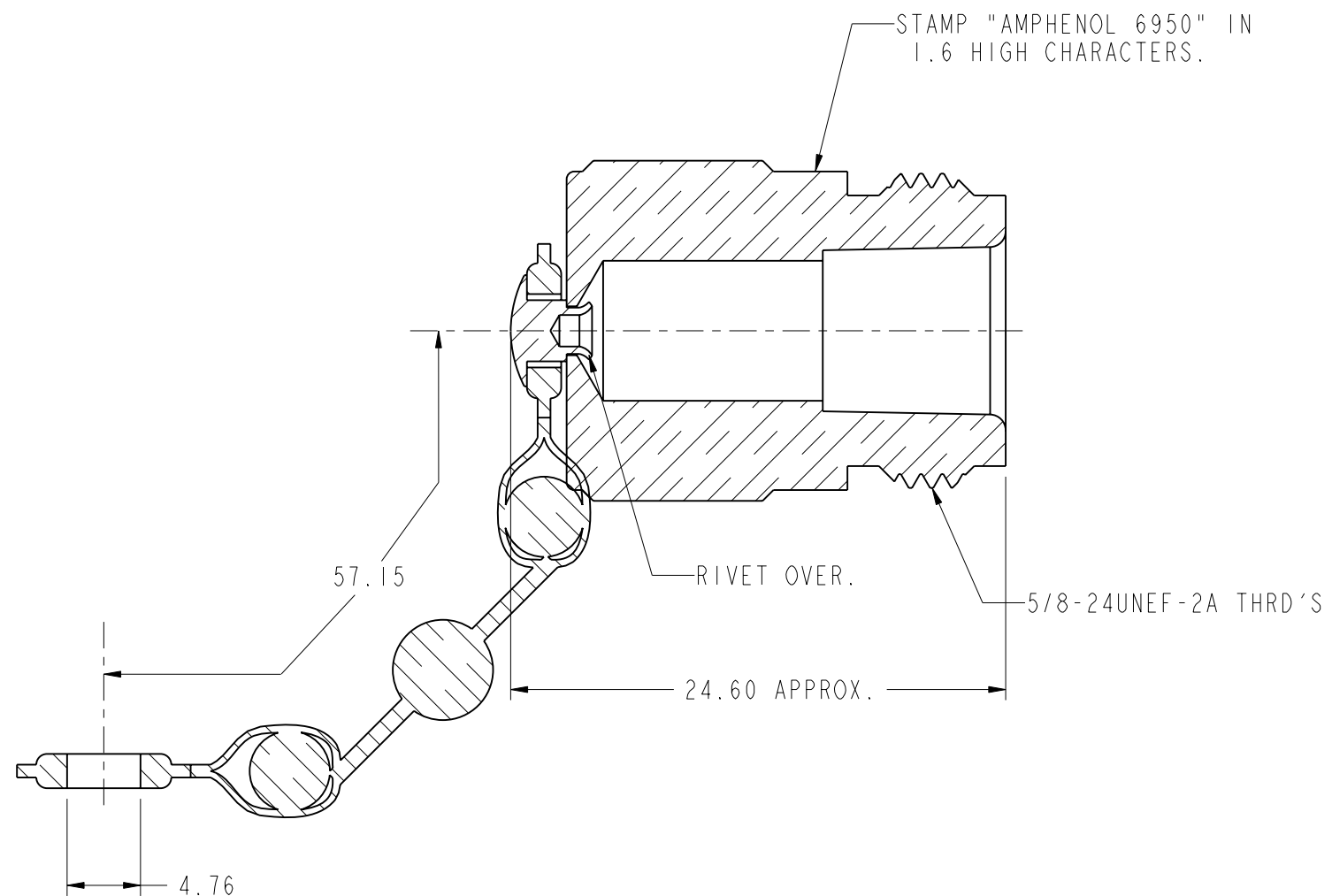
NOTES:

- 1. MATERIALS AND FINISHES:
- BODY -- BRASS, ALBALOY PLATING
- SHOULDER RIVET -- BRASS, NICKEL PLATING
- CHAIN ASSEMBLY -- BRASS, NICKEL PLATING

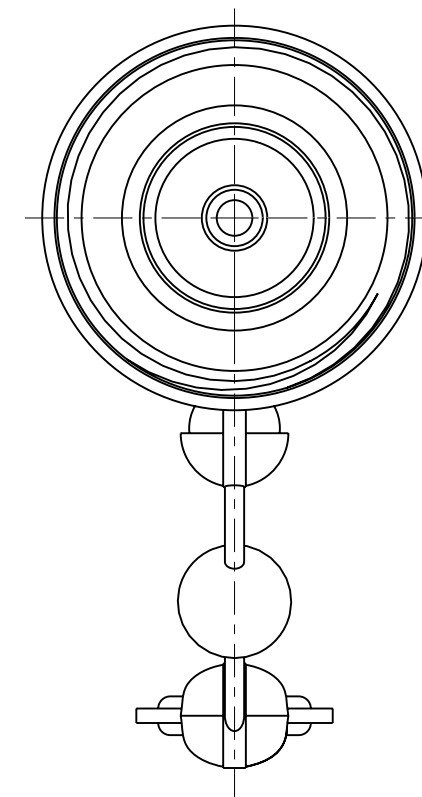
THIRD ANGLE PROJ.

REVISIONS

REV	DESCRIPTION	DATE	ECO	APPR
H	REVISED PHT	1-16-75		TTTB
J	ADDED NOTES 5 # 6	9-25-92		DR
K	RELEASE IN ARFA.	03-Apr-09		SCOTT



SCALE 1.500



CUSTOMER OUTLINE DRAWING
ALL OTHER SHEETS ARE FOR INTERNAL USE ONLY

UNLESS OTHERWISE SPECIFIED, DIMENSIONS ARE IN METRIC AND TOLERANCES ARE: 0.5 - 6mm ±0.1mm 6 - 30mm ±0.2mm 30 - 120mm ±0.3mm ANGLES ±1°	MATERIAL	DRAWN J.R.B	DATE 5-20-64	TITLE TYPE "N" PLUG DUST CAP		Amphenol RF Danbury CT USA, Tainan, Taiwan, Shenzhen, China www.amphenolrf.com	
	REFERENCE	ENGINEER TTTB	DATE 5-21-64				
NOTICE - These drawings, specifications, or other data (1) are, and remain the property of Amphenol corp. (2) must be returned upon request; and (3) are confidential and not to be disclosed to any person other than those to whom they are given by Amphenol Corp. the furnishing of these drawings, specifications, or other data by Amphenol Corp., or to any other person to anyone for any purpose is not to be regarded by implication or otherwise in any manner licensing, granting rights to permitting such holder or any other sperson to manufacture, use or sell any product, process or design, patented or otherwise, that may in any way be related to or disclosed by said drawings, specifications, or other data.	FINISH	APPROVED WMS	DATE 5-22-64	SCALE: 3.0:1.0	SHEET 1 OF 1	ITEM NO. 6950	PART NO. 6950
		CAD FILE I:\N\6950			DWG SIZE B	CODE ID 74868	REV K