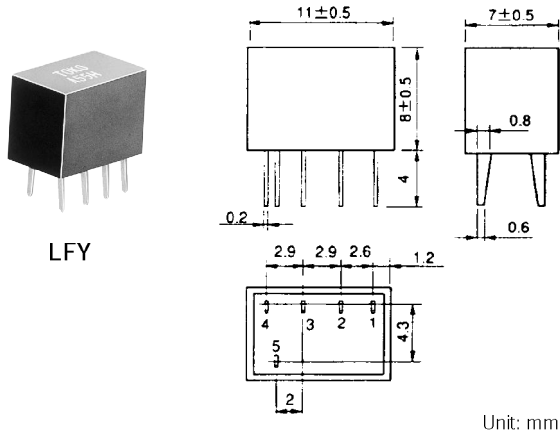
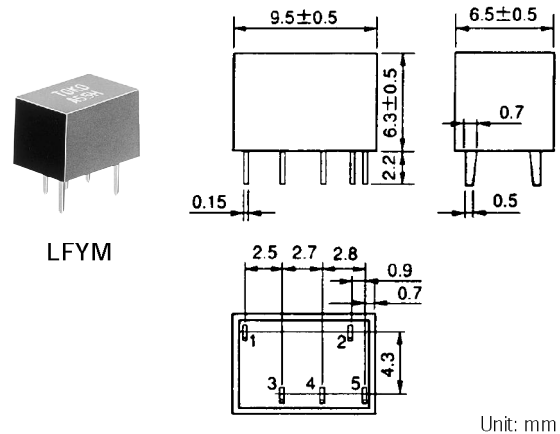


TYPE LFY,LFYM



LFY

Unit: mm



LFYM

Unit: mm

Description

- AM Ceramic filters are connected in a ladder structure and are available as either 4/6 element devices
- Bandwidths from 6 to 30 kHz

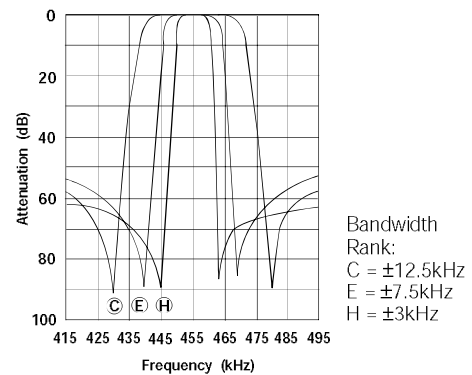
Features

- 450, 455 kHz, (460kHz and 486kHz by Special request)
- High Selectivity
- Compact Package
- Version with group delay variations specified also available

Applications

- AM radio cassettes, AM stereo sets
- Cordless telephones, Pagers, Cellular phones
- Two-way radios

Frequency Response
LFY / LFYM (6 element)



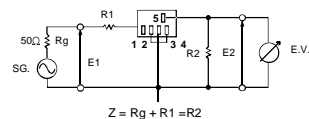
STANDARD FILTERS SELECTION GUIDE

TYPE LFY/LFYM

| TOKO Part Number | Center * Frequency (kHz) | Bandwidth at 6 dB (kHz) | Bandwidth at 50 dB (kHz) | Attenuation fo ± 100 KHz (dB) | Insertion Loss (dB) | Input/Output Impedance (kΩ) |
|------------------|--------------------------|-------------------------|--------------------------|-------------------------------|---------------------|-----------------------------|
| LFY | | | | | | |
| ALFY455H | 455±1.0 | ±3.0 min. | ±9.0 min. | 35.0 max. | 6.0 max. | 2.0 |
| ALFY455G | 455±1.0 | ±4.5 min. | ±10.0 min. | 35.0 max. | 6.0 max. | 2.0 |
| ALFY455F | 455±1.0 | ±6.0 min. | ±12.5 min. | 35.0 max. | 6.0 max. | 2.0 |
| ALFY455E | 455±1.0 | ±7.5 min. | ±15.0 min. | 35.0 max. | 6.0 max. | 1.5 |
| BLFY455D | 455±2.0 | ±10.0 min. | ±20.0 min. | 35.0 max. | 4.0 max. | 1.5 |
| BLFY455C | 455±2.0 | ±12.5 min. | ±24.0 min. | 35.0 max. | 4.0 max. | 1.5 |
| BLFY455B | 455±2.0 | ±15.0 min. | ±30.0 min. | 35.0 max. | 4.0 max. | 1.5 |
| LFYM | | | | | | |
| ALFYM455H | 455±1.0 | ±3.0 min. | ±9.0 min. | 35.0 max. | 6.0 max. | 2.0 |
| ALFYM455G | 455±1.0 | ±4.5 min. | ±10.0 min. | 35.0 max. | 6.0 max. | 2.0 |
| ALFYM455F | 455±1.0 | ±6.0 min. | ±12.5 min. | 35.0 max. | 6.0 max. | 2.0 |
| ALFYM455E | 455±1.0 | ±7.5 min. | ±15.0 min. | 35.0 max. | 6.0 max. | 1.5 |
| BLFYM455D | 455±2.0 | ±10.0 min. | ±20.0 min. | 35.0 max. | 4.0 max. | 1.5 |
| BLFYM455C | 455±2.0 | ±12.5 min. | ±24.0 min. | 35.0 max. | 4.0 max. | 1.5 |
| BLFYM455B | 455±2.0 | ±15.0 min. | ±30.0 min. | 35.0 max. | 4.0 max. | 1.5 |

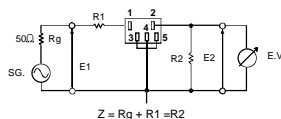
* For 450kHz, substitute 450 for 455 in part number.

LFY Test circuit



Z = Rg + R1 = R2

LFYM Test circuit



Z = Rg + R1 = R2

Test conditions

1. C includes test circuit capacitance.
 2. R1, R2: Input-output impedance
- Cs: Stray capacitance
(less than 50pF, including EV)
R-LOG0502A