

1. SCOPE

This specification is applied to the ceramics resonator used for communication.

. (本规格书适用于通讯用陶瓷谐振器。)

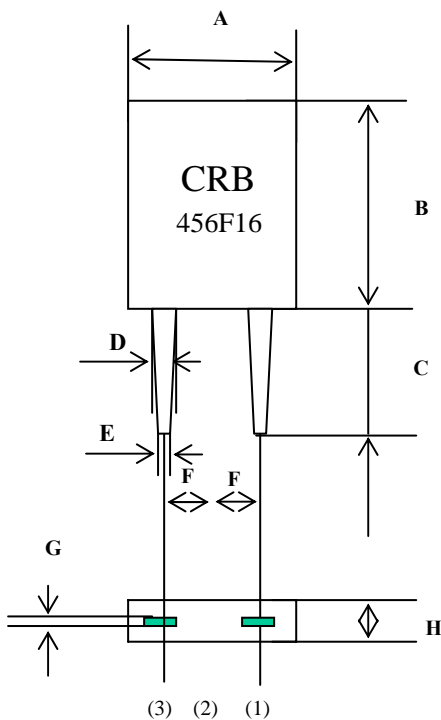
2. MODEL NAME

(产品名称)

Part Name (型号)	Customer's Part Number (客户型号)	Drawing No. (图号)
CRB456F16		GG-076

3. DIMENSIONS

(尺寸)



UNIT : MM

A	7.0±0.3
B	9.0±0.3
C	6.0±0.5
D	0.9±0.1
E	0.7±0.1
F	2.5±0.2
G	0.15±0.03
H	3.5±0.3

(1). INPUT

(2). GROUND

(3). OUTPUT

5. ELECTRICAL CHARACTERISTICS

(电气性能)

	Item (项目)	Requirements (要求)
5-1	Center Frequency (fo) (中心频率)	456KHZ
5-2	Frequency Accuracy (频率精度)	Fc±1KHZ
5-3	Resonator Impedance (谐振阻抗)	20 Ω max
5-4	Operating Temperature Range (使用温度)	-20 TO +80 °C
5-5	Storage Temperature Range (储存温度)	-30 TO +85 °C
5-6	Withstanding Voltage (耐电压)	DC 100 V
5-8	Temperature Coefficient Of Center Frequency (-20~+80°C)	±0.3% max
5-9	Insulation Impedance (绝缘阻抗)	100 MΩ min
5-10	静电容	285 ± 30% PF

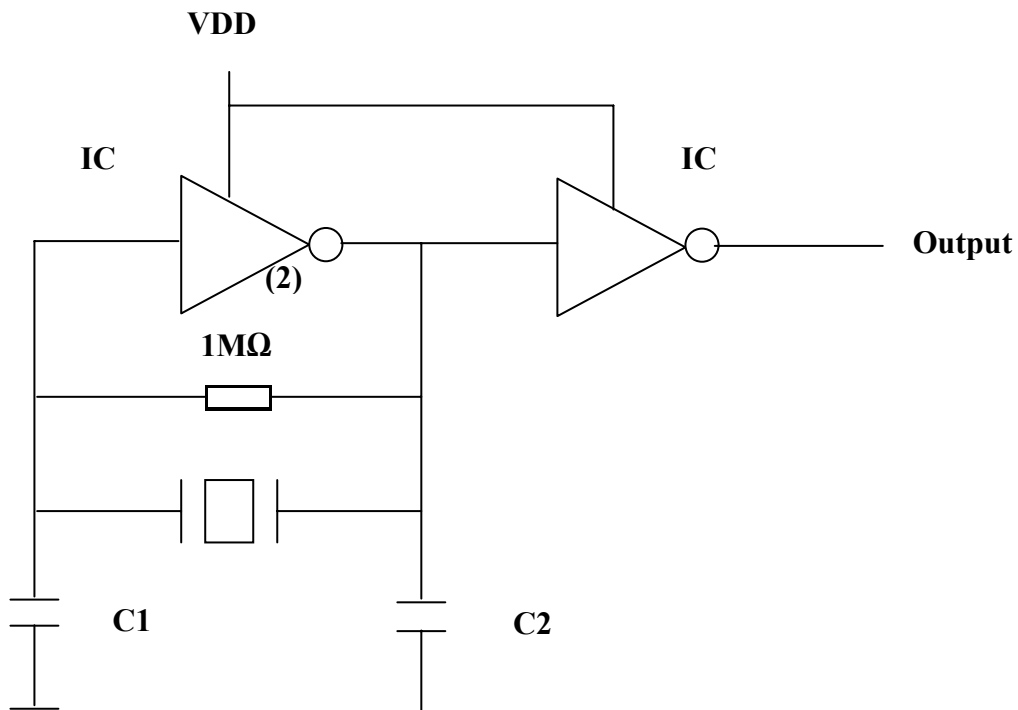
4. TEST CIRCUIT

(测试电路)

Parts shall be measured under a condition (Temp.:3~35°C. Hum.:45~85%) unless

any necessity to measure under a standard condition (Temp.:20 ± 2°C. Humi.:65 ± 5%) is occurred.

(测量条件为温度 3-35°C，相对湿度 45~85%，必要时标准测量条件为温度 20 ± 2°C，相对湿度 65 ± 5%)

**C1=C2=100PF****IC= 1/6CD4069UBE****VDD=+5V**