



CX93510 Features

Supported Applications and operating Modes

- PIR Sensor with Video
 - Visual verification of intruder via image sensor interface
 - VGA - Black and white or color at up to 30 fps
 - VGA to QVGA Filtered 1/2 res Scaling
 - JPEG & MJPEG-DPCM image compression (ISO/IEC 10918-1/2)
 - Continuous streaming and variable image modes
 - 256 KB or 128 KB frame buffer for compressed images (no external memory)
 - Interface to external μ P though SPI, UART, or I²C
 - Variable IR illumination control port

- A/D for Photocell sensor, battery voltage monitor, and micro-phone inputs
- Sleep mode - ASSP off except frame buffer in retention mode
- 12mA in operational mode
- 10nA in sleep mode

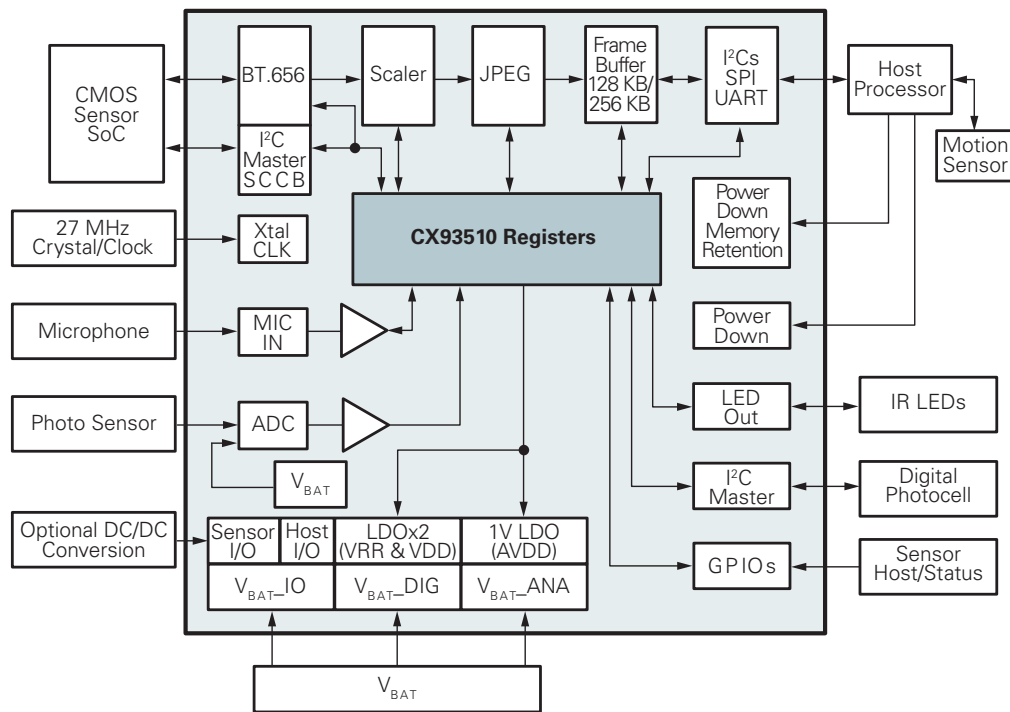
Interfaces

- Sensor I/F
 - 8-b 4:2:2 YCrCb with BT.656 embedded timing codes or frame/line sync support up to 27 MHz, progressive mode
 - Resolutions: VGA (640x480) and QVGA (320x240)
 - 27 MHz clk output
 - 2/3 wire control I/F: I²C master port or SCCB

- 4-wire I²C/SPI/UART slave port to ext μ P
- 8 GPIO (5 dedicated pins, 3 shared pins)
- IR illumination with variable DAC and PWM control
- Microphone input, mic boost 0-36 dB in 6 dB steps, 2- and 4- bit ADPCM
- DC measurement battery monitor
- Photocell sensor input - analog or I²C (shared with GPIO)
- Support for battery operation: 3.6 V to 1.8 V

48-pin eMLF/QFN

- 6 mm x 6 mm lead-less package
- 0 to +70 oC ambient, 0 to +100 oC junction



CX93510 Functional Block Diagram

Conexant Product Portfolio

Conexant's comprehensive product portfolio includes solutions for imaging, audio, video surveillance, and embedded modem applications.

© 2009 Conexant Systems, Inc. All Rights Reserved. Conexant and the Conexant logo are registered trademarks of Conexant Systems, Inc. All other trademarks are owned by their respective owners. Although Conexant strives for accuracy in all its publications, this material may contain errors or omissions and is subject to change without notice. **THIS MATERIAL IS PROVIDED AS IS AND WITHOUT ANY EXPRESS OR IMPLIED WARRANTIES, INCLUDING MERCHANTABILITY, FITNESS FOR A PARTICULAR PURPOSE AND NON-INFRINGEMENT.** Conexant shall not be liable for any special, indirect, incidental or consequential damages as a result of its use.

www.conexant.com
General Information:
 U.S. and Canada: (888) 855-4562
 International: 1+ (949) 483-3000
 Headquarters
 4000 MacArthur Blvd.
 Newport Beach, CA 92660
 Doc# PBR-202204

