

**ebm-papst St. Georgen GmbH & Co. KG**

Hermann-Papst-Str. 1
 D-78112 St. Georgen
 Phone +49 (0) 7724 81-0
 Fax +49 (0) 7724 81-1309
 info2@de.ebmpapst.com
 www.ebmpapst.com

Nominal data

Type	DV 6318/2TDH4P	
Phase		3~
Nominal voltage	VDC	48
Nominal voltage range	VDC	36 .. 72
Speed	min ⁻¹	6500
Power input	W	300
Min. ambient temperature	°C	-20
Max. ambient temperature	°C	+65
Air flow	m ³ /h	1050
Sound power level	B	8.7

ml = max. load · me = max. efficiency · fa = running at free air · cs = customer specs · cu = customer unit
 Subject to alterations

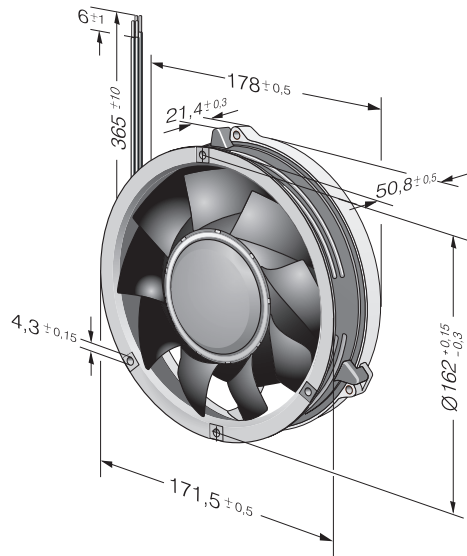


Technical features

General description	Very smooth running 3-phase fan drive. Very rigid compression curve for high air flow at high counterpressure. Lower operating noise level at high counterpressure. Standard with PWM control input and speed signal. Other inputs and outputs on request.
Mass	0.96 kg
Dimensions	172 x 51 mm
Housing material	Die-cast aluminium
Part no.	DV 6318/2TDH4P
Type of protection	IP 54
Connection line	AWG 18, UL3266 AWG 22, UL1061 bared and tin-plated



Product drawing



Charts

