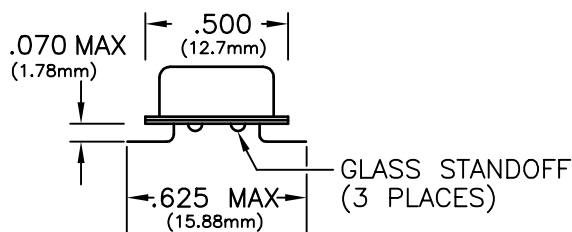
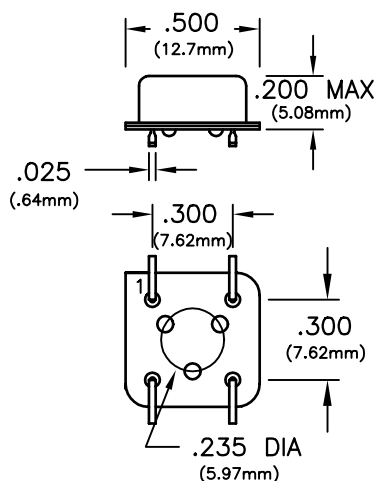


8 PIN DIP ACMOS

SPECIFICATIONS		JA53	
Frequency Range		13MHz to 150MHz	
Frequency Stability		±100ppm (Inclusive of calibration tolerance at 25°C and operating temperature range)	
Temperature Range		0°C to +70°C	
Output	Waveform	CMOS Squarewave , TTL Compatible	
	Load	15pF	
	Voltage	Voh	4.4V Minimum
		Vol	0.44V Maximum
	Current	Ioh	-24mA
		Iol	24mA
	Duty Cycle	45/55 Maximum	
Rise/Fall Time	3nS Maximum		
Start Up Time		10mS Maximum	
Supply Voltage		+5Vdc ±10%	
Supply Current		100mA Maximum	
Package		All metal, hermetically sealed, welded package	

WARNING! Do not insert oscillator into a hot circuit. Failure to comply will result in damage to oscillator.



PIN	CONNECTION
1	RESET
4	GROUND (CASE)
5	OUTPUT
8	(+) SUPPLY

Dimensional Tolerance: ±.005