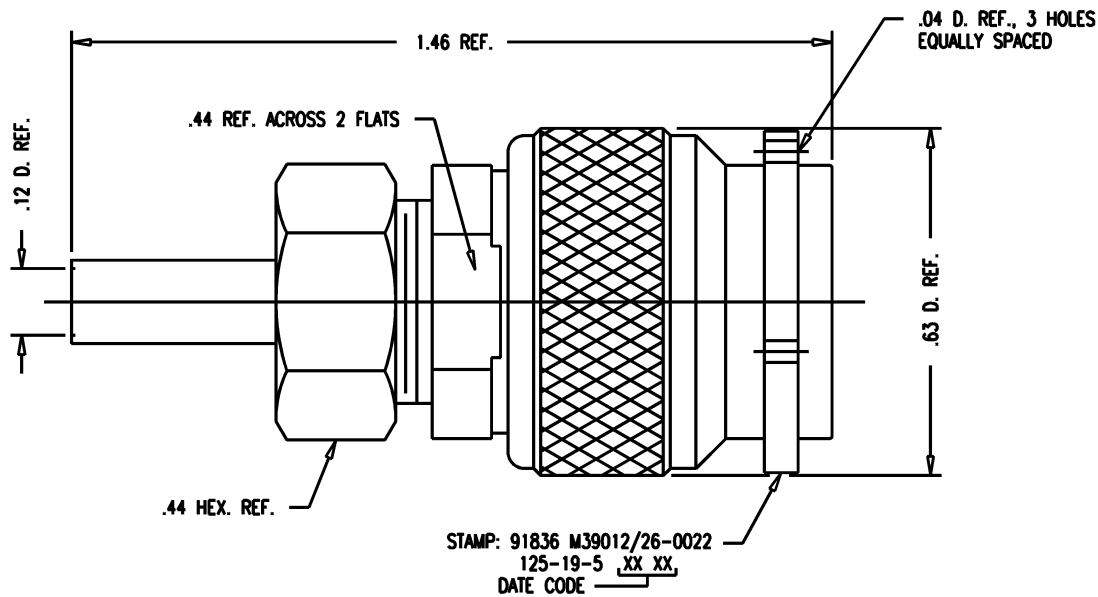


# GSD

M39012/26-0022

REVISIONS	
ISSUE	CHANGES
2	CN 33709 E REDRAWN WJM 02/05/92



**NOTES:**

1. FOR USE WITH M17/119-RG174 & M17/113-RG316 CABLES.
2. FOR CABLING INSTRUCTIONS SEE CP-465.
3. FOR CABLE TRIMMING USE KTJ-116 & KTD-245.
4. FOR CRIMMING USE DIE KTH-2011.
5. INTERFACE PER MIL-STD-348, FIG. 313-1.
6. MATERIALS:  
 INSULATORS: TEFLON, ASTM-D-1457  
 K-GRIP SLEEVE: COM. BRONZE TUBE, ALLOY 220  
 C-RING: PHOSPHOR BRONZE, Q0-B-750  
 OUTER CONTACT: BER. COPPER, ASTM-B-196  
 GASKET: SILICONE RUBBER, Z2-R-765  
 ALL OTHER METAL PARTS: BRASS, ASTM-B16
7. FINISHES:  
 CENTER CONTACT: HARD GOLD PLATE, PER MIL-G-45204  
 ALL OTHER METAL PARTS: SILVER PLATE, PER Q0-S-365
8. ELECTRICAL CHARACTERISTICS:  
 NOMINAL IMPEDANCE: 50 OHMS  
 WORKING VOLTAGE: 500 VRMS  
 FREQUENCY RANGE: DC TO 11 GHz.

WJM1739

SCALE 4:1

APPROX SURFACE AREA

125-19-5

USED ON

REF:

PLUG, TNC

DRAWN WJM DATE 02/05/92

DESIGN MJB DATE 02/10/92

APPR. DATE

**KINGS**  
ELECTRONICS CO., INC.  
TUCKAHOE, NEW YORK 10707

M39012/26-0022

# GSD