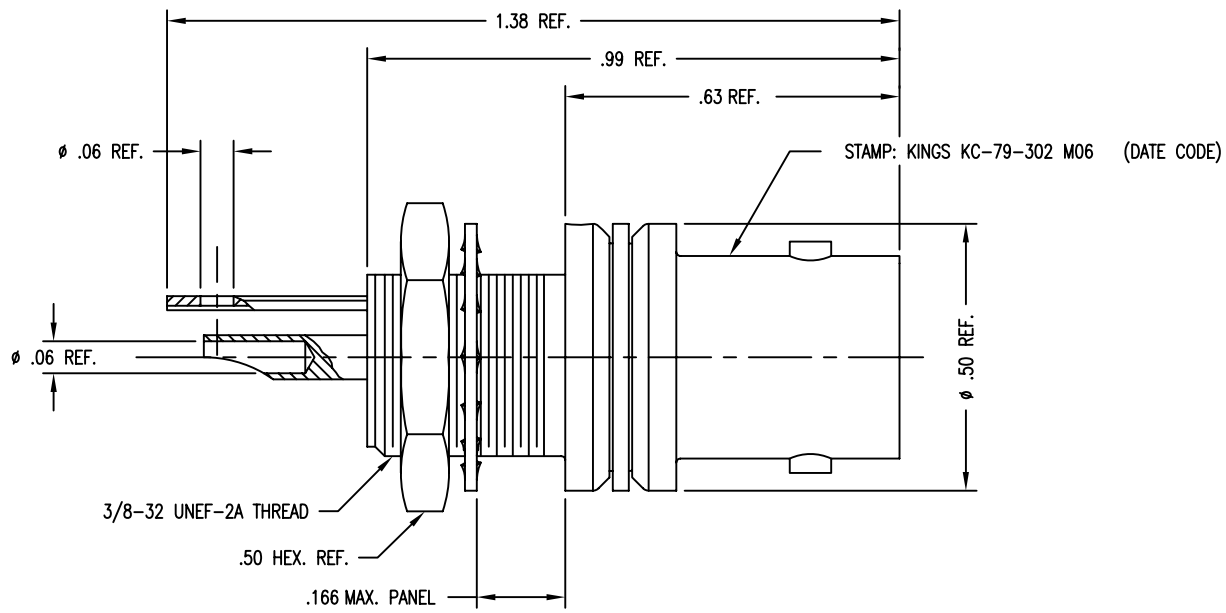
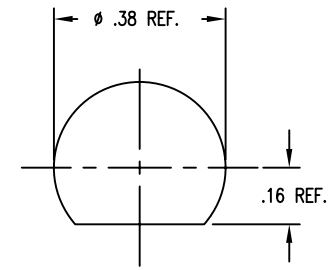


DASH NO.	M CODE	MADE FROM
----------	--------	-----------



- NOTES:
- INTERFACE PER MIL-STD-348, FIG. 301-2.
 - MATERIALS:
 - INSULATOR: VALOX, 420 SEO
 - LOCKWASHER: PHOS. BRONZE, ASTM-B103
 - CONTACT: BER. COPPER, ASTM-B196
 - ALL OTHER METAL PARTS: BRASS, ASTM-B16
 - FINISHES:
 - LUG: TIN ELECTRODEPOSIT PER ASTM-B545
 - CONTACT: SILVER PLATE PER ASTM-B700
 - ALL OTHER METAL PARTS: KINGS TARNISH RESISTANT NICKEL FINISH (TR-5)
 - ELECTRICAL CHARACTERISTICS:
 - NOMINAL IMPEDANCE: 50~W
 - FREQUENCY RANGE: DC TO 4 GHz
 - WORKING VOLTAGE: 500 VOLTS RMS



MOUNTING HOLE

UNLESS OTHERWISE SPECIFIED

- ALL DIMENSIONS IN INCHES [MILLIMETERS].
- TOLERANCES:
 - .XXX ±.004 .XX ±.010
 - [.XXX ±.10] [.XX ±.25]
 - FRACTIONS: X/Y ±.010 [.25] ANGLES: ± 1°

★ CRITICAL DIMENSIONS

REVISIONS	
ISSUE	CHANGES
9	CN 36774 A REDRAWN ME 01/18/96
10	CN 37268 C PB 24 FEB 97
M	ER14145 DRK 3/5/09
N	ER17224 DRK 07/22/09

PART NO. KC-79-302 M06

CUSTOMER SALES DRAWING

SCALE: 4:1

APPROX SURFACE AREA

WAS: E-11333

USED ON

REF:

RECEPTACLE, BULKHEAD,
ISOLATED GROUND, BNC, F

DRAWN	ME	DATE	01/18/96
-------	----	------	----------

DESIGN	DW	DATE	01/19/96
--------	----	------	----------

APPR.	DW	DATE	01/19/96
-------	----	------	----------

	Winchester Electronics	B
	82 Barnes Industrial Road North Wallingford, CT 06492	

KC-79-302 M06