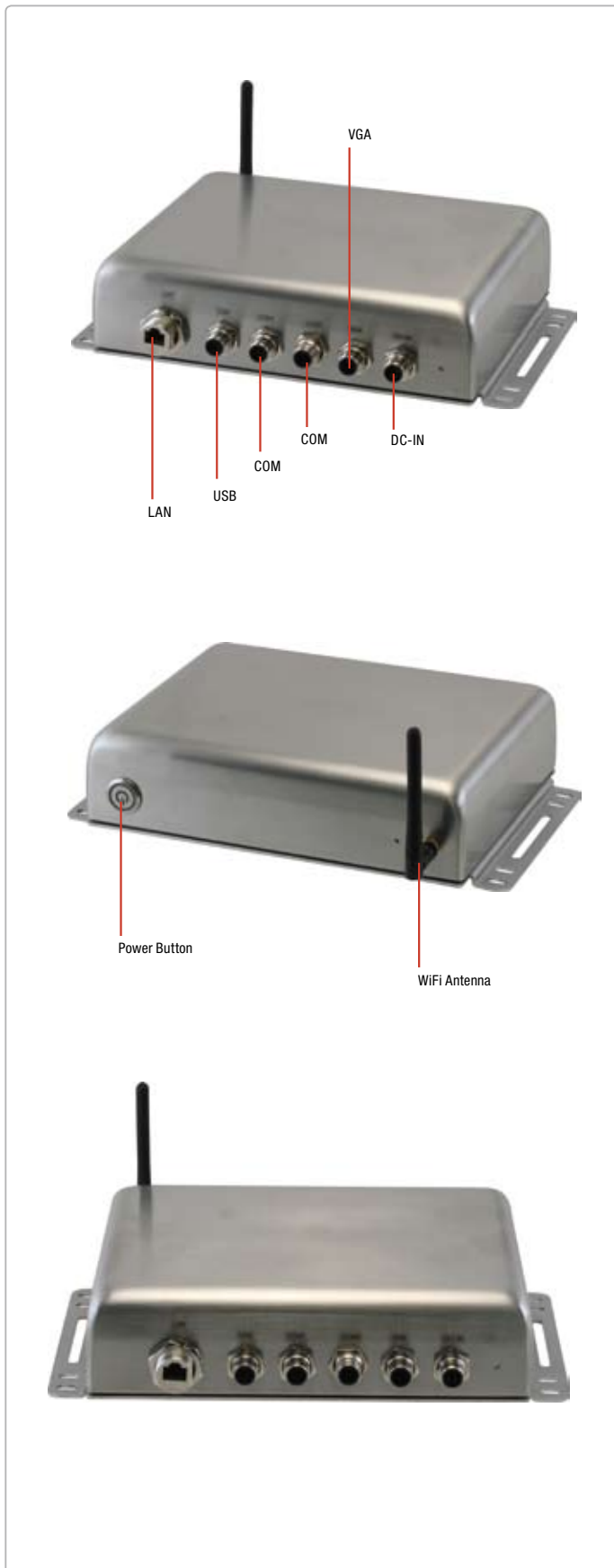


AEC-6511

IP-67 Water-Proof Fanless Embedded Controller With Intel® Atom™ N270 Processor



Features

- Intel® Atom™ N270 1.6 GHz Processor
- Water, Dust & Corrosion Proof
- Anti-Shock & Vibration Structure
- Washable IP-67 Water Proof Protection
- Stainless Steel Chassis With Water Proof I/O Connector
- Memory, CompactFlash™, HDD Must Be Industrial Grade



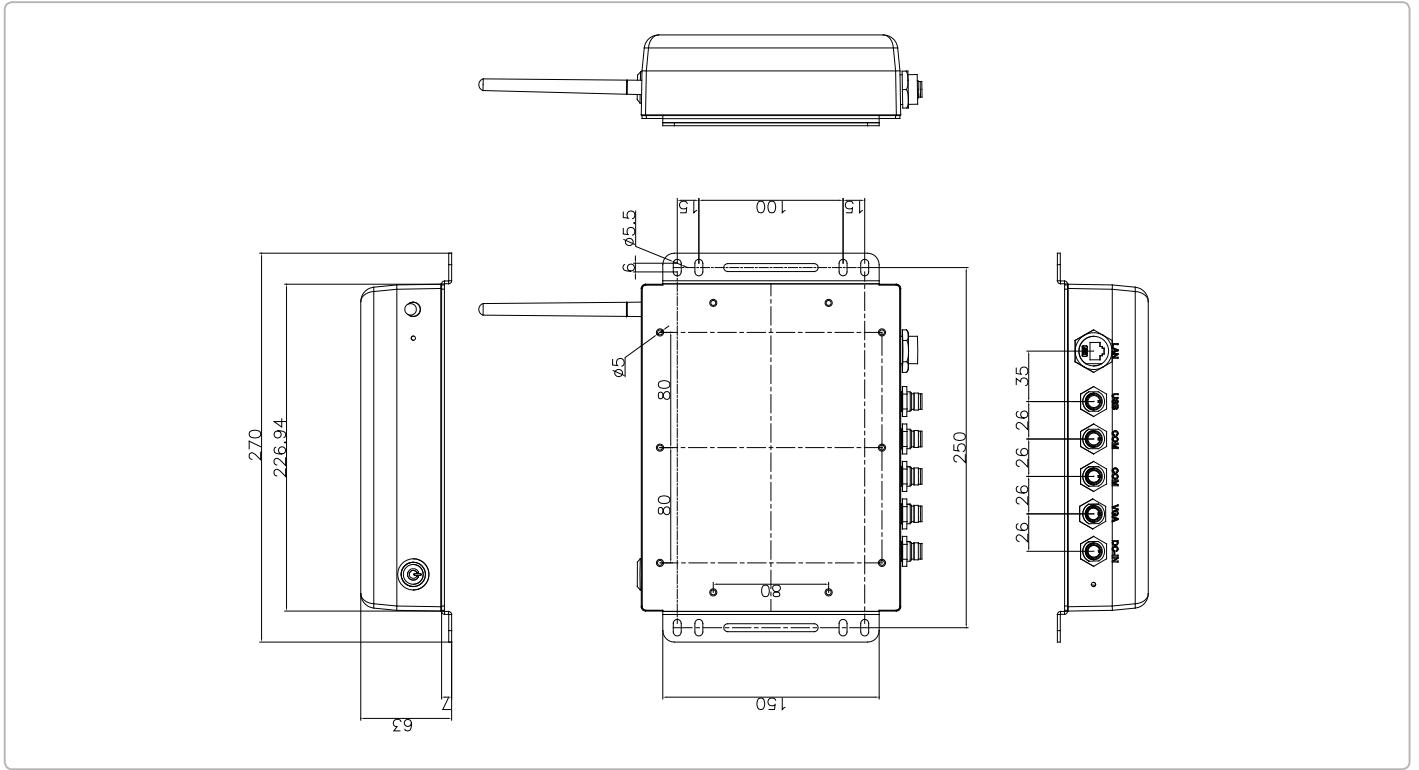
Specifications

CPU	Intel® Atom™ N270 1.6GHz	
Chipset	Intel® 945GSE + ICH7M	
System Memory	DDR2 SDRAM SODIMM x 1, Max. 2 GB	
Display Interface	VGA	DB-15 x 1, shared system memory up to 224MB/ DVMT 3.0
	DVI	—
	Others	—
Storage Device	SSD	CompactFlash™ Slot
	HDD	2.5" SATA 1.5Gb/s Slim Hard Disk Drive Bay
Network	LAN	Gigabit Ethernet, RJ-45 x 1
	Wireless	Optional by Mini-card
Front I/O	USB Port	USB2.0 x 2
	LAN	RJ-45 x 1
	Serial Port	RS-232 x 1, RS-232/422/485 x 1
	DIO	—
	Audio	—
	KB/MS	—
Rear I/O	Others	Power input x 1
	USB Port	—
	LAN	—
	Serial Port	—
	DIO	—
	Audio	—
Expansion	KB/MS	—
	Others	Power switch x 1
	PCIe [x1]	—
	PCI	—
Indicator	Mini Card	1
	Mini PCI	1
	Others	—
Power Requirement	Front	—
	Rear	—
Power Consumption	DC-in 12 V input	
System Cooling	Intel® Atom™ N270 1.6GHz, 1.12A @ 12V	
Mounting	Passive Cooling	
Operating Temperature	Wallmount	
Storage Temperature	-4°F ~ 131°F (-20°C ~ 55°C)	
Anti-Vibration	-4°F ~ 158°F (-20°C ~ 70°C)	
Anti-Shock	5g rms/ 5 ~ 500Hz/ operation – CFD	
	1g rms/ 5 ~ 500Hz/ operation – HDD	
MTBF	50 G peak acceleration (11 msec. duration) – CFD	
Certification	20 G peak acceleration (11 msec. duration) – HDD	
	EMC	CE /FCC Class A
Safety	—	
Dimension (W x H x D)	—	
	13.23" x 11.57" x 10.24" (336mm x 294mm x 260mm)	

AEC-6511

Dimension

Unit: mm



Gross Weight	6.4 lb (2.9 kg)
Note	Windows® XP Embedded, Windows® XP, Windows® 7, Linux Fedora 2.4 Support

Ordering Information

- **TF-AEM-6511-A1-1010**
Embedded Controller, Intel® Atom™ N270 1.6 GHz, Fanless, DC-in 12V, 2 COM, 2 USB, 1 VGA, 1 LAN

Optional Accessories

- TBD