



PNP TIP36-A-B-C

SILICON POWER TRANSISTORS

They are PNP power transistors mounted in jedec TO-3PN. They are intended for use in general purpose power amplifier and switching applications.
 NPN complements are TIP35-A-B-C
 Compliance to RoHS.

ABSOLUTE MAXIMUM RATINGS

Symbol	Ratings	Value	Unit	
V _{CBO}	Collector-Base Voltage	TIP36	-40	V
		TIP36A	-60	
		TIP36B	-80	
		TIP36C	-100	
V _{CEO}	Collector-Emitter Voltage	TIP36	-40	V
		TIP36A	-60	
		TIP36B	-80	
		TIP36C	-100	
V _{EBO}	Emitter-Base Voltage	TIP36	-5	V
		TIP36A		
		TIP36B		
		TIP36C		
I _C	Collector Current	TIP36	-25	A
		TIP36A		
		TIP36B		
		TIP36C		
I _{CM}	Collector Peak Current	TIP36	-40	A
		TIP36A		
		TIP36B		
		TIP36C		

PNP TIP36-A-B-C

ABSOLUTE MAXIMUM RATINGS

Symbol	Ratings		Value	Unit
I_B	Base Current	TIP36	-5	A
		TIP36A		
		TIP36B		
		TIP36C		
P_C	Power Dissipation	@ $T_c < 25^\circ$	125	Watts
		TIP36		
		TIP36A		
		TIP36B		
		TIP36C		
		@ $T_a < 25^\circ$	3.5	
		TIP36		
		TIP36A		
TIP36B				
TIP36C				
T_J	Junction Temperature	TIP36	150	$^\circ\text{C}$
		TIP36A		
		TIP36B		
		TIP36C		
T_s	Storage Temperature range	TIP36	-65 to +150	$^\circ\text{C}$
		TIP36A		
		TIP36B		
		TIP36C		

THERMAL CHARACTERISTICS

Symbol	Ratings		Value	Unit
R_{thJ-MB}	From junction to mounting base	TIP36	1	$^\circ\text{C/W}$
		TIP36A		
		TIP36B		
		TIP36C		
R_{thJ-A}	From junction to ambient in free air	TIP36	35.7	$^\circ\text{C/W}$
		TIP36A		
		TIP36B		
		TIP36C		

PNP TIP36-A-B-C

ELECTRICAL CHARACTERISTICS

TC=25°C unless otherwise noted

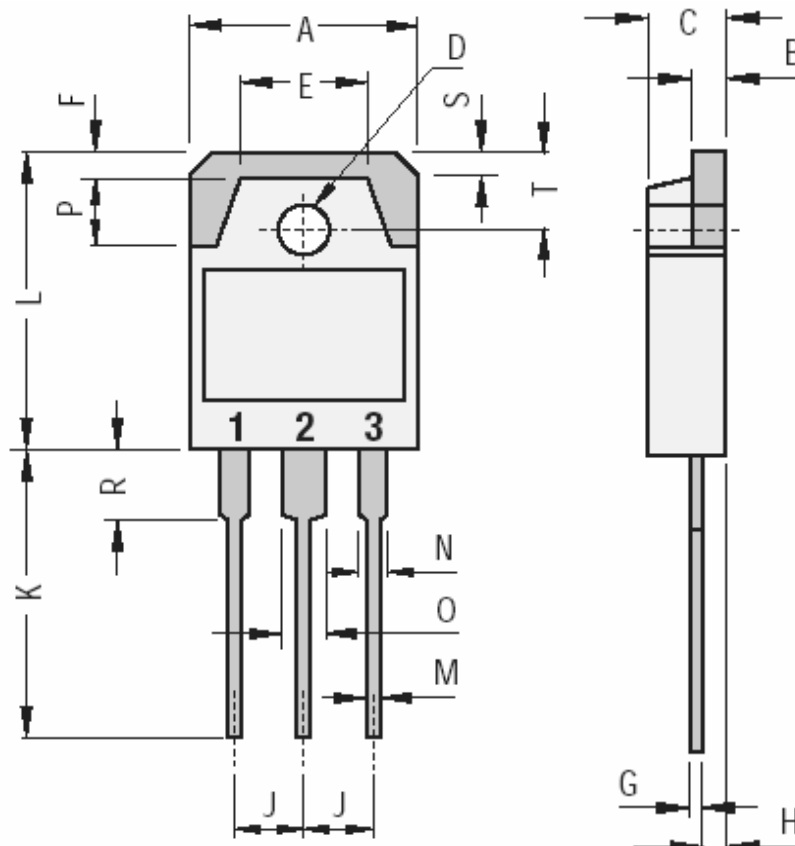
Symbol	Ratings	Test Condition(s)	Min	Typ	Max	Unit		
I_{CES}	Collector Cutoff Current	$I_E = 0, V_{CE} = -V_{CEO}$	TIP36	-	-	-0.7	Ma	
			TIP36A					
			TIP36B					
			TIP36C					
I_{CEO}	Collector Cutoff Current	$I_B = 0, V_{CE} = -30V$	TIP36	-	-	-1	mA	
			TIP36A					
		$I_B = 0, V_{CE} = -60V$	TIP36B	-	-	-1		
			TIP36C					
I_{EBO}	Emitter Cutoff Current	$V_{EB} = -5 V, I_C = 0$	TIP36	-	-	-1	mA	
			TIP36A					
			TIP36B					
			TIP36C					
V_{CEO}	Collector-Emitter Breakdown Voltage (*)	$I_C = -30 mA, I_B = 0$	TIP36	-40	-	-	V	
			TIP36A					
			TIP36B					
			TIP36C					
$V_{CE(SAT)}$	Collector-Emitter saturation Voltage (*)	$I_C = -15 A, I_B = -1.5 A$	TIP36	-	-	-1.8	V	
			TIP36A					
			TIP36B					
			TIP36C					
			$I_C = -25 A, I_B = -5 A$	TIP36	-	-	-4	V
				TIP36A				
				TIP36B				
				TIP36C				
$V_{BE(on)}$	Base-Emitter Voltage (*)	$I_C = -15 A, V_{CE} = -4 V$	TIP36	-	-	-2	V	
			TIP36A					
			TIP36B					
			TIP36C					
			$I_C = -25 A, V_{CE} = -4 V$	TIP36	-	-	-4	V
				TIP36A				
				TIP36B				
				TIP36C				
h_{FE}	DC Current Gain (*)	$V_{CE} = -4 V, I_C = -1.5 A$	TIP36	25	-	-	-	
			TIP36A					
			TIP36B					
			TIP36C					
			$V_{CE} = -4 V, I_C = -15 A$	TIP36	15	-		75
				TIP36A				
				TIP36B				
				TIP36C				

(*) Pulse Width $\approx 300 \mu s$, Duty Cycle $\angle 2.0\%$

PNP TIP36-A-B-C

Symbol	Ratings	Test Condition(s)	Min	Typ	Mx	Unit	
f_T	Current Gain-Bandwidth Product	$V_{CE} = -10\text{ V}$, $I_C = -10\text{ A}$, $f = 1\text{ kHz}$	TIP36	3	-	-	MHz
			TIP36A				
			TIP36B				
			TIP36C				

MECHANICAL DATA CASE TO3PN Non Isolated Plastic Package



DIMENSIONS (mm)		
	Min.	Max.
A	15.20	1600
B	1.90	2.10
C	4.60	5.00
D	3.10	3.30
E		9.60
F		2.00
G	0.35	0.55
H		1.40
J	5.35	5.55
K	20.00	
L	19.60	20.20
M	0.95	1.25
N		2.00
O		3.00
P		4.00
R		4.00
S		1.80
T	4.80	5.20

Pin 1 :	Base
Pin 2 :	Collector
Pin 3 :	Emitter
Case :	Collector

September 2012

Information furnished is believed to be accurate and reliable. However, Comset Semiconductors assumes no responsibility for the consequences of use of such information nor for any infringement of patents or other rights of third parties which may result from its use. Data are subject to change without notice. Comset Semiconductors makes no warranty, representation or guarantee regarding the suitability of its products for any particular purpose, nor does Comset Semiconductors assume any liability arising out of the application or use of any product and specifically disclaims any and all liability, including without limitation consequential or incidental damages. Comset Semiconductors' products are not authorized for use as critical components in life support devices or systems.