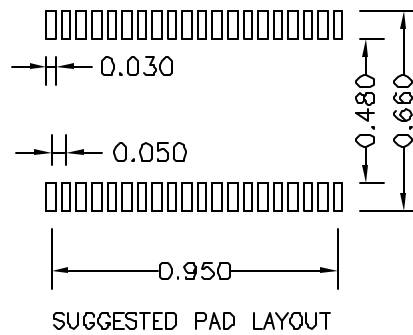
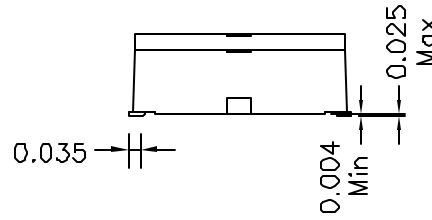
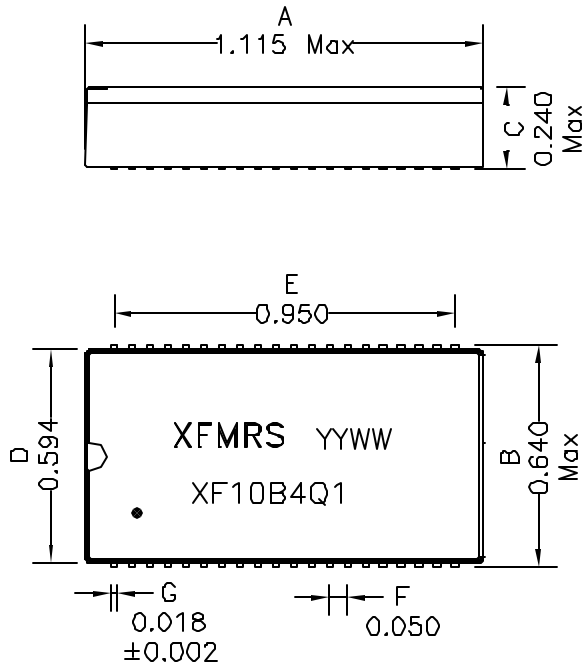
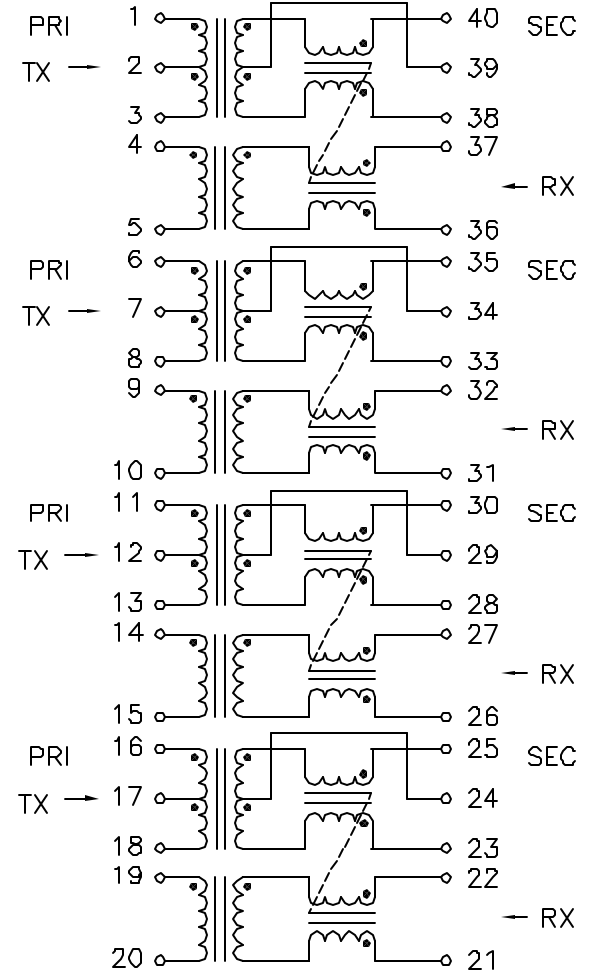


### 1. Mechanical Dimensions:



### 2. Schematic:



### 3. Electrical Specifications: @25°C

PRI OCL: TX 35uH Min @100KHz 0.1V  
 RX 200uH Min @100KHz 0.1V

PRI Q: 8 Min @10KHz 50mV

PRI LL: TX 0.15uH Max @100KHz 0.1V, Short SEC  
 RX 0.40uH Max @100KHz 0.1V, Short SEC

Cw/w: 15pF Max @100KHz 0.1V (PRI/SEC)

PRI DCR: TX 0.300 Ohms Max  
 RX 0.500 Ohms Max

Turns Ratio: PRI/SEC TX 1CT:2.5CT±3% RX 1:1±3%

Isolation Voltage: 1500Vrms

#### Notes:

1. Solderability: Leads shall meet MIL-STD-202C, Method 208H for solderability.
2. Flammability: UL94V-0
3. ASTM oxygen index: > 28%
4. Insulation System: Class F 155°C. UL file E151556
5. Operating Temperature Range: All listed parameters are to be within tolerance from -40°C to +85°C
6. Storage Temperature Range: -55°C to +125°C
7. Aqueous wash compatible
8. SMD Lead Coplanarity: ±0.004\*(0.102mm)
9. Electrical and mechanical specifications 100% tested
10. RoHS Compliant Component

DOC REV: B/1

<b>XFMRS Inc</b> www.XFMRS.com		Title: Quad Port 10BASE-TX Module	
UNLESS OTHERWISE SPECIFIED TOLERANCES: .xxx ±0.010 Dimensions in INCH	P/N: XF10B4Q1		REV. B
	DWN.	Mei Chen	Oct-15-11
SHEET 1 OF 1	CHK.	YK Liao	Oct-15-11
	APP.	Joe Huff	Oct-15-11