

**PLEASE CHECK WWW.MOLEX.COM FOR LATEST PART INFORMATION**

**Part Number:** [0989821026](#)  
**Status:** **Active**  
**Overview:** [mox crimp terminals](#)  
**Description:** 2.54mm (.100") Pitch MOX Receptacle Kit, 4 Rows, 40 Circuits, Blue

**Documents:**

[Drawing \(PDF\)](#) [RoHS Certificate of Compliance \(PDF\)](#)

**General**

Product Family	Crimp Housings
Series	<a href="#">98982</a>
Overview	<a href="#">mox crimp terminals</a>
Product Name	MOX

**Physical**

Circuits (maximum)	40
Color - Resin	Blue
Gender	Receptacle
Glow-Wire Compliant	No
Keying to Mating Part	None
Lock to Mating Part	Yes
Material - Resin	Polyester
Number of Rows	4
Packaging Type	Bag
Panel Mount	No
Pitch - Mating Interface (in)	0.100 In
Pitch - Mating Interface (mm)	2.54 mm
Pitch - Term. Interface (in)	0.100 In
Pitch - Term. Interface (mm)	2.54 mm
Polarized to Mating Part	Yes
Ports	1
Stackable	No
Temperature Range - Operating	-40°C to +125°C

**Electrical**

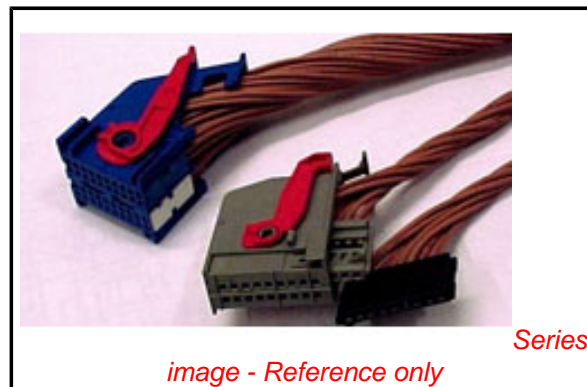
Current - Maximum per Contact	6A
-------------------------------	----

**Material Info**

Old Part Number	52596EV40M6
-----------------	-------------

**Reference - Drawing Numbers**

Application Specification	AS-98982-001
Packaging Specification	PK-98982-001
Sales Drawing	SD-98982-002



**EU RoHS**

**ELV and RoHS Compliant**  
**REACH SVHC**  
 Not Reviewed  
**Halogen-Free Status**  
 Not Reviewed

**China RoHS**



**Need more information on product environmental compliance?**

Email [productcompliance@molex.com](mailto:productcompliance@molex.com)  
 For a multiple part number RoHS Certificate of Compliance, [click here](#)

Please visit the [Contact Us](#) section for any non-product compliance questions.

**Search Parts in this Series**

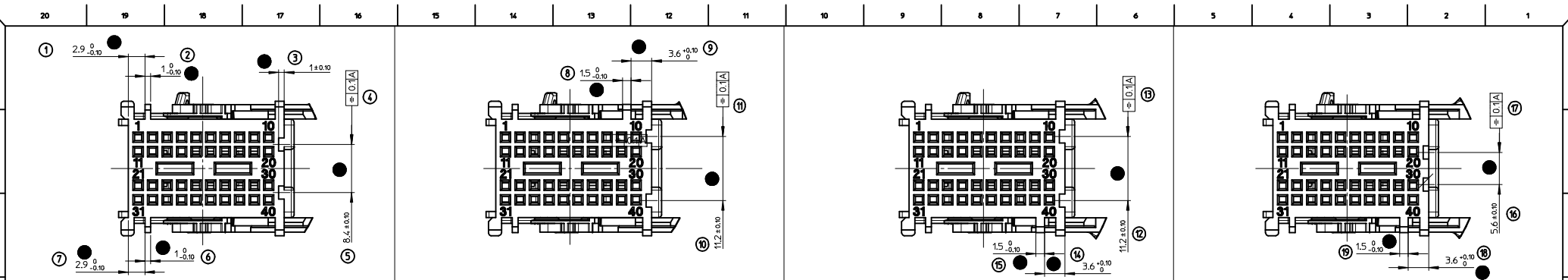
[98982Series](#)

**Mates With**

Contact Molex

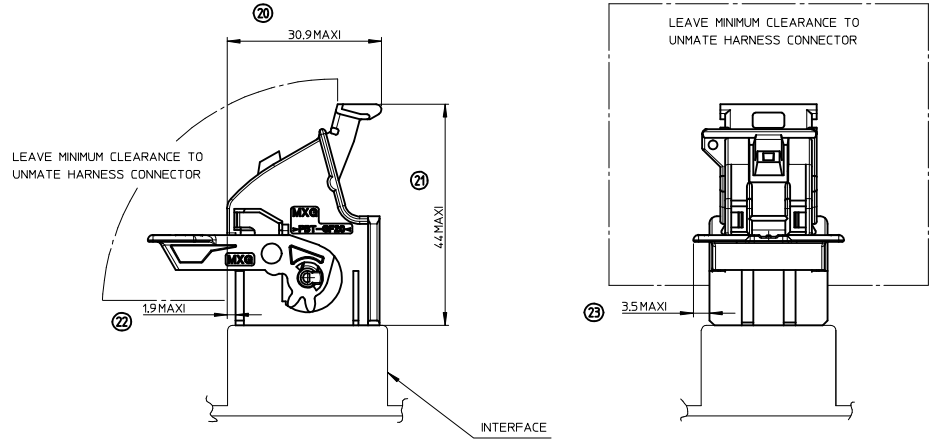
**Use With**

[98658](#) MOX Crimp Terminal

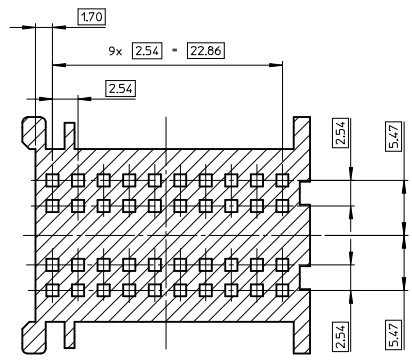


MOLEX P/N 0989821021 BLACK MOLEX P/N 0989821028 GREY MOLEX P/N 0989821020 WHITE MOLEX P/N 0989821026 BLUE

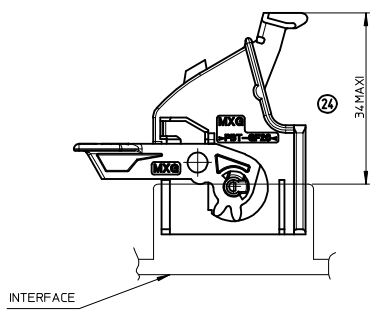
CLEARANCE FOR CONNECTOR MATE AND UNMATE 2:1



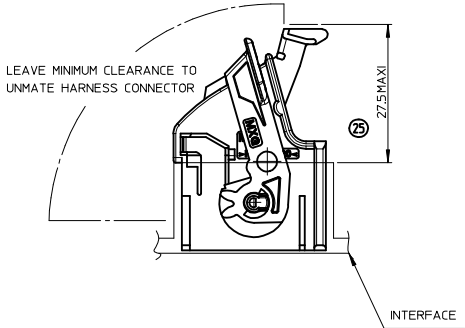
CAVITY LOCATION 4:1



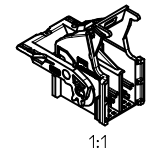
TRAVEL TO ELECTRIC CONTACT 2:1



CONNECTOR FULLY MATED 2:1



INDICATION DIMENSIONS S.P.C DENOTES 'S.P.C DIMENSIONS'	INDICATION DIMENSIONS CRITIQUES DENOTES 'CRITICAL DIMENSIONS'	INDICATION DIMENSIONS FONCTIONNELLES DENOTES 'FUNCTIONAL DIMENSIONS'
QUANTITE PAR FEUILLE INDIVIDUELLE	QUANTITY PER INDIVIDUAL SHEET	
0	0	15



<b>FIRST RELEASE</b> EC NO: GZ008-0096 DRAWN: POUCHAUD 2007/10/15 CHECKED: YIGEL 2007/10/15 APPR: LSTICKEIR 2007/10/15	QUALITY SYMBOLS	GENERAL TOLERANCES (UNLESS SPECIFIED)	DIMENSION STYLE	SCALE	DESIGN UNITS	THIRD ANGLE PROJECTION
	▽=0	mm INCH	MM ONLY	3:1	METRIC	
	▽=0	4 PLACES ± --- ± --- 3 PLACES ± --- ± --- 2 PLACES ± 0.05 ± --- 1 PLACE ± 0.10 ± ---	DRAWN BY DATE LPOUCHAUD 2007/09/05	TITLE	MOX MOUNT HSG RCPT CONN 40CKT	
		ANGULAR ± 2°	CHECKED BY DATE YIGEL 2007/09/05	APPROVED BY DATE LSTICKEIR 2007/09/10	MOLEX INCORPORATED	
	DRAFT WHERE APPLICABLE MUST REMAIN WITHIN DIMENSIONS	SEE CHART	MATERIAL NO.	DOCUMENT NO.	SD-98982-002	SHEET NO. 1 OF 2
THIS DRAWING CONTAINS INFORMATION THAT IS PROPRIETARY TO MOLEX INCORPORATED AND SHOULD NOT BE USED WITHOUT WRITTEN PERMISSION						

