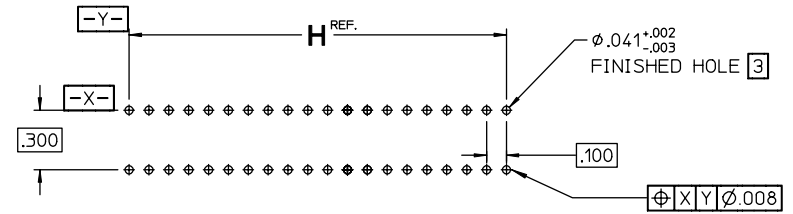
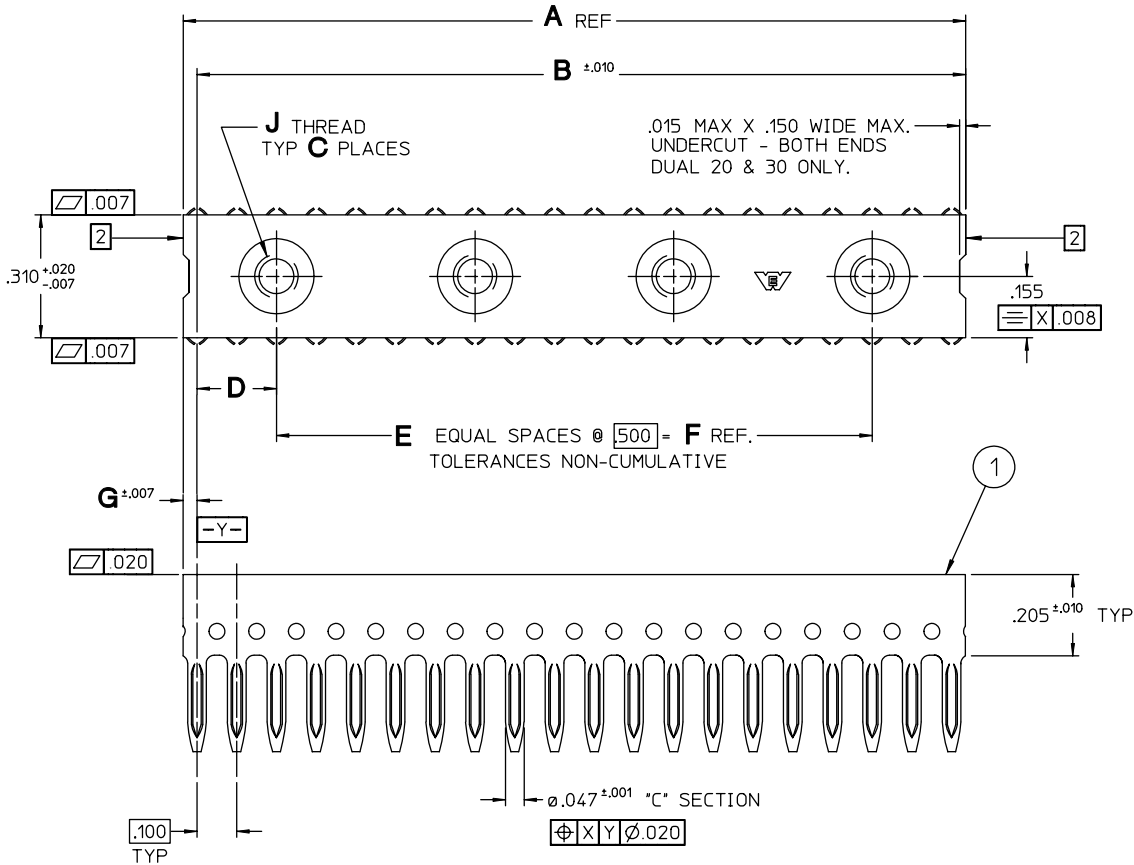


REV	DESCRIPTION	BY DATE	APPD
M	REVISED PER ECR8605	C.A.B. 06/30/05	V.S.H.

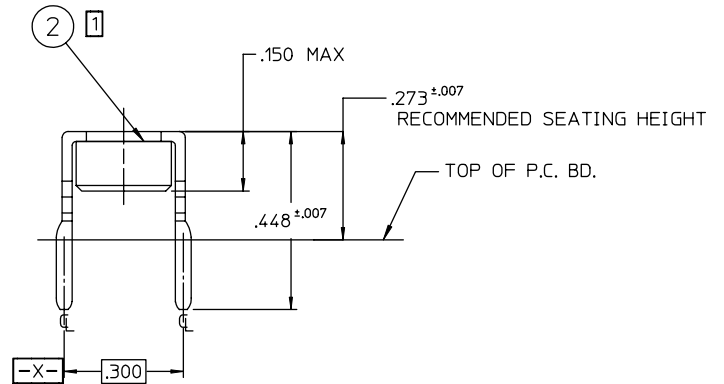
NOTES:

- [1] FASTENER & THREAD TO WITHSTAND 14 IN-LBS MIN. TORQUE, APPLIED WITH A STANDARD J THREAD SCREW, AND THE FASTENER TO WITHSTAND A PUSH-OUT FORCE OF 100 LBS. MIN.
- [2] NO PLATING ON EDGES SHOWN.
- [3] FOR HOLE REQUIREMENT REQUEST WED DWG. 27331.

- ① POWER BUSS:
MAT'L: COPPER ALLOY #725
FINISH: SEE CHART,
EXCEPT PER NOTE [2]
- ② THREADED FASTENER
MAT'L: STEEL
FINISH: SEE CHART



RECOMMENDED P.C. BOARD HOLE PATTERN SCALE 2:1



CAT. No 121-27344 SHOWN

121-29293-06	DUAL 10	.970	.935±.005	2	.200	1	.500	.035	.900	M3 x 0.5	TIN LEAD
121-29283-01-260	SAME AS 121-29283 EXCEPT $\phi .1685$ THRU HOLES INSTEAD OF THREADED FASTENER										PURE TIN (RoHS)
121-29283-01											TIN LEAD
121-29283-00-260	DUAL 15	1.500	1.450	3	.200	2	1.000	.050	1.400	#6-32 UNC-2B	PURE TIN (RoHS)
121-29283	DUAL 15	1.500	1.450	3	.200	2	1.000	.050	1.400	#6-32 UNC-2B	TIN LEAD
121-27385	DUAL 13	1.300	1.250	3	.100	2	1.000	.050	1.200	#6-32 UNC-2B	
121-27345	DUAL 30	2.970	2.935	6	.200	5	2.500	.035	2.900	#6-32 UNC-2B	
121-27344	DUAL 20	1.970	1.935	4	.200	3	1.500	.035	1.900	#6-32 UNC-2B	TIN LEAD
CAT. NO.	DESCRIPTION	A	B	C	D	E	F	G	H	J	PLATING

PER ANSI Y14.5M-1982 UNLESS OTHERWISE SPECIFIED: DIMENSIONS ARE IN INCHES, OR INCHES / MM		 400 PARK ROAD WATERTOWN, CONNECTICUT 06795	
TOLERANCES	MM		
DECIMALS	.XX ± .01	.XXX ± .005	SCALE: 4:1
CUSTOMER DRAWING		TITLE: POWER BUSS STRIPS .100 X .300 GRID	
DRAWN	DATE CHECKED	DATE	REV.
VEH 10-20-87	L.PERRELLA 10-30-87		
APPROVED	DATE APPROVED	DATE	
J.DRAGHI 10-30-87	T.WRENN 10-30-87		
C		27344	SHT. 1 OF 1